



FD

# FUSION DESIGNS

HONORING THE PAST. EMBRACING THE FUTURE.

2021

# FUSION DESIGNS

EST. 1995

What began as a simple Amish woodworking shop has grown into a trusted source of fine, quality-crafted furniture for every room in the home.

For 2021, we are excited to be able to offer new collections created in the heart of Amish country, most produced and all artfully finished right here in our shop under our strict attention to detail. It's our way of honoring our heritage while pursuing new heights in innovative designs for the future.

We invite you to experience Fusion Designs.



Noah Bontrager

THESE ARE PRINCIPLES  
THAT GUIDE US:

## QUALITY

*Unsurpassed quality standards.*

## CRAFTSMANSHIP

*A work ethic instilled by generations of Amish craftsmen.*

## INNOVATION

*A dedication to honor the past and design for the future.*

### LIFETIME GUARANTEE

We don't make it complicated. If your properly cared for furniture fails during normal use in the lifetime of the original owner due to problems in either the workmanship or material, we'll repair or replace it for free.

We can do this because we are confident that what we build will last.

# FUSION DESIGNS

EST. 1995

## CONTENTS

<b>DINING</b> .....9	<b>OFFICE</b> .....165
Dining Collections.....11	Office Collections .....166
<b>SEATING</b> .....103	<b>BEDROOM</b> .....173
Chairs.....104	Bedroom Collections .....174
Chair Dimensions.....110	
Benches.....114	<b>FEATURES, OPTIONS, &amp; CARE</b> .....261
Barstools .....118	Dining .....262
Rockers & Gliders.....123	Special Table Tops .....267
	• Plank Tops
<b>STORAGE</b> .....125	• Live Edge Glue-Up
Hutches.....126	Seating .....268
Additional Storage Options.....130	Fabrics & Leathers.....269
Buffets/Sideboards.....131	Media .....270
<b>LIVING ROOM</b> .....139	Hardware Options.....272
Living Room Collections .....140	Bedroom .....274
• Sofa Tables	Wood Care.....275
• Coffee Tables	Samples & Finishes .....276
• End Tables	Display Units .....278
<b>ENTERTAINMENT</b> .....157	Internet Policy .....279
Media Consoles .....159	



## ABOUT US

### OUR ROOTS

Furniture manufacturing has become such an important piece of the fabric of life among the Amish in northern Indiana that it's hard to remember how different things were less than two decades ago. In the early 1990s, woodworking was mostly a hobby among the Amish. It was something to dabble in after a day's work on the farm or at the RV factory.

One of the early pioneers was Noah Bontrager. Noah grew up and worked on a farm until he was eighteen. The family farm consisted of 120 acres and worked with draft horses pulling farm implements. Corn was husked by hand, manure was forked onto manure spreaders by hand, cows were milked by hand, and wheat and oats were put in shocks and put through a thrashing machine. To use a telephone meant walking or riding horseback a few miles to a payphone. After turning eighteen, Noah began work at an RV factory. At the age of 22, Noah began to build furniture as a hobby and learning the fine points of construction through trial and error. Having no formal training in woodworking, this was a period of time where valuable lessons were learned in building all types of furniture and cabinets. Factory life proved unfulfilling so in 1993, Noah committed to take on woodworking as an occupation and Fusion Designs was born.

### MADE IN INDIANA

Fast forward to today, most employees are Amish and are neighbors or live close enough that they commute to work with either horse and buggy or bicycle. Many also have farms at home or chores they do after work. Fusion Designs is a family-owned operation and is not a typical corporation. Many questions have been asked regarding the Amish and what we represent or why we choose to live as we do. Amish is not a religion, rather a way of life we feel is patterned off of the teachings of Jesus Christ. We profess to be of the Christian faith and a follower of our Lord and Savior and to Him belongs all honor and glory.



## THE FUSION DIFFERENCE

*At Fusion Designs, we place our emphasis on attention to detail. We strive to bring out the natural beauty and character of each piece of wood. As a result, these one-of-a-kind pieces built with quality workmanship ensure many years of retained beauty and endurance that can be passed on from generation to generation.*

### *Built in the USA*

Fusion Designs is putting American people to work! All our products are handcrafted in our workshop in Goshen, Indiana.

### *Quality Construction*

We take pride in everything we build.

### *Customizable – Wood & Finish*

Choose from seven kinds of wood and 30 finish options.

### *Fully Cartoned*

Our products are completely cartoned to help prevent damage and delivered to your doorstep.

### *Quick Lead Time*

We work quickly, without sacrificing quality with every order we receive. Therefore, we have a 6-7 week production times for all custom orders.

### *Quickship Programs*

We understand that your showroom or a customer may need products sooner than our standard 6-7 week production time, therefore, we stock our top-selling products and ship in 10 days.

### *Dealer Protection*

We protect our dealers and give them a radius against competitors.

### *Great Customer Service*

Contact us directly anytime during working hours and we will answer any questions you may have.

### *Lifetime Warranty*

You will need to register with us as the original owner of Fusion Design furniture. See page 283 for details.

### *Responsibility & Sustainability*

Fusion Designs works hard to lower our carbon footprint by employing a variety of responsible practices.



“When trees mature, it is fair and moral that they are cut for man’s use, as they would soon decay and return to the earth. Trees have the yearning to live again, perhaps to provide beauty, strength and utility to serve man and even to become an object of great artistic worth.”

– George Nakashima (Master woodworker and renowned leader in 20th century furniture design)

## THE NATURE OF WOOD AND ITS ENVIRONMENT

Hardwood forests cover more than 269 million acres in the United States. Although it takes about 80 years for a tree to mature, natural reseeding and sprouting contribute to the regeneration of our forests. Conscientious caretakers are also responsible for the ongoing rebirth of this country's hardwood resource thanks to the use of a practice known as sustained yield forest management. Thanks to this practice, the United States grows twice as much hardwood as it harvests every year. In fact, current projections show that by the year 2040, the U.S. will have about 70% more hardwoods available for harvest.

Conservation has long been a byword for the wood industry, both in the forest and in manufacturing. Lumber mills use approximately 98% of the entire tree harvested. Thanks to the introduction of laser-guided saws, improved quality control and computer-assisted manufacturing, virtually nothing is wasted. The bark, which can constitute up to 20% of a log, often fuels the mill. Bark also is used to produce mulches and soil conditioners, while trimmings are processed into a variety of wood products, including paper.

Our trees are an ever-renewing gift from nature. A vibrant hardwood forest is a dynamic force, contributing to a clean, healthy environment. Forests cool the atmosphere and filter the water we drink. They convert carbon dioxide into oxygen to give us air to breathe. They provide food and shelter for wildlife and offer a spectacular variety of recreational opportunities. Each Autumn, their green leaves burst into brilliant symphonies of amber, orange, magenta, and thousands of hues in between.

U.S. hardwoods are coveted all over the world for their warmth and lasting beauty in furniture, cabinetry, mill work, and flooring. In finished products, hardwoods are the purest expression of nature. They are not synthetic, nor are they engineered. Their beauty is not just skin deep.

## HARDWOODS

Hardwoods include broad-leaved trees like oak, walnut, cherry, maple, hickory, and dozens of other species. Mature hardwoods supply the nation, and much of the world, with timber used for everything from railroad ties to quality furnishings.

Just as each tree is different from the next, so, too, are hardwood products individually unique. Hardwoods are characterized by an infinite variety of grains and distinctive textures. Trees grow limbs that fall off as the tree matures. What remains is a knot on the hardwood surface. These natural markings add character to the wood's appearance and have absolutely no effect on the wood's durability and stability.

At Fusion Designs, we strive to bring out the natural beauty and character of each piece of wood. These characteristics give each piece its unique charm. As a result, even though the finishing processes are identical, no two pieces will ever be exactly the same. Embrace the uniqueness of your hardwood furniture. It's what nature intended.

## REFORESTATION INITIATIVE

We are proud to be partnering with Onetreeplanted.org, a non-profit organization with a focus on restoring the world's forests by planting one tree at a time. We partner by giving a portion of every order towards planting trees all over the world. Through this organization, it takes only \$1 to plant a tree! Go to onetreeplanted.org to learn more.



# PLACING YOUR ORDER

## 4 EASY STEPS TO CREATE YOUR ORDER

Ordering your custom products can be done in 4 easy steps. Below we have provided our template of how to order Dining products in these 4 steps. Dining and Case Good order forms as well as additional product information can be found at [www.fusiondesign.us](http://www.fusiondesign.us).

### 1. Select your item

Choose an item that fits your lifestyle

### 2. Select your options

Select bases, tops, shapes, edges, hardware and any other options available for your item

### 3. Select your wood specie

Fusion Designs has seven different wood species to choose from

### 4. Select your finish

FUSION DESIGNS 1993		Dining Special Order Form		Date:
Dealer Name:				Billing:
IF using the complete table item number, enter info below. If using the Build Your Own format leaves lines 15-17 blank and proceed to line 19				Ship To:
	Qty	Price	Ext Price	PO#:
<b>Complete Table Item #</b>			\$ -	
12" Leaf qty				
16" Leaf qty				
1-18" Butterfly Leaf				
If using the Build Your Own format, enter top & base item numbers below				
Table Base Item #			\$ -	
Table Top Item #			\$ -	
Table Shape			\$ -	
Table Edge Profile			\$ -	
Leaf Locks (Cannot Self-store with Leaf Locks)			\$ -	
Table Slides (Wood slides are standard)			\$ -	
Self Storing Leaves (Will be built SS as standard)			\$ -	
Height:			\$ -	
Hayworth Inlay (1 in each end):			\$ -	
			Total:	\$ -
Chair Sku formulated as follows: Style-Bar Chair Option (If needed)-Wood-Finish-Options				Qty
Side Chair Item #			\$ -	
Arm Chair Item #			\$ -	
Bench Item #			\$ -	
Bar Chair Options			\$ -	
Protective Stretcher Cover For Bar Chairs			\$ -	
Fabric Or Leather Seat			\$ -	
Fabric Or Leather Material Selection			\$ -	
Choice Of Nail Head Color			\$ -	
Optional Bench Legs (Only available with Leg Bench)			\$ -	
			Total:	\$ -
Buffet Item #:			\$ -	
Hutch Item #:			\$ -	
Hardware (Leave blank if using standard hardware):			\$ -	
Mirror Back Option:			\$ -	
Silverware Drawer Option:			\$ -	
			Total:	\$ -
Wood			\$ -	
Finish			\$ -	
Two Tone Finish:	Top Color:		\$ -	
	Base Color:		\$ -	
Hand-Planing			\$ -	
Distressed Finish			\$ -	
Additional Option			\$ -	
			Total:	\$ -



# DINING OPTIONS

Revive the art of conversation by gathering your family and friends for meals in your custom – furnished dining room. Handcrafted furniture by Fusion Designs reflects your personal style, your high quality standards and your great eye for detail. We design our furniture for the way you live.

**YOUR HOME  
IS YOUR CANVAS.**

# AMARILLO *Collection*

## COLLECTION FEATURES

- Available in sizes: 30"x 72", 30"x 84", 30"x 96", 30"x 108", 30"x 120"
- 72" comes with 2 column base
- 84", 96", 108", and 120" come with 3 column base
- 1 3/8" saw cut top standard (this style top is not available on any other tables)

- Also available in smooth top
- Mission edge is standard
- Not available in any other sizes
- Not available with leaves



**SUGGESTED CHAIR**  
**Soma Slat Arm Chair**  
25"w x 17 1/2"d x 36"h  
#SMSAC Wood  
#SMSACF Fabric  
#SMSACL Leather



**SUGGESTED CHAIR**  
**Soma Slat Side Chair**  
19 1/4"w x 17 1/4"d x 36"h  
#SMSSC Wood  
#SMSSCF Fabric  
#SMSSCL Leather



Top is standard with **Saw Cut Style Top**



**Amarillo Table**  
Table-#AOTB 3096 TM EM

- Popular Sizes:**
- #AOTB3072 30"x 72"
  - #AOTB3084 30"x 84"
  - #AOTB3096 30"x 96"
  - #AOTB30108 30"x 108"
  - #AOTB30120 30"x 120"

Shown in Rustic Cherry with Natural Matte Finish

# ARABELLA *Collection*



Arabella Buffet  
#ARBF  
54" w x 19 1/2" d x 36" h  
Features 12" pullout shelf

## COLLECTION FEATURES

- Constructed with solid hardwoods
- Buffet Features**
- Soft-closing, full extension, undermount drawer slides
- Dovetailed, solid wood drawers

## COLLECTION OPTIONS

- Distressed finish (#2D)
- Hand-planed tops (#HPD)
- Two-tone finish (#2TN)
- Table Options**
- See page 262 for customization and self storing information
- Buffet Options**
- See hardware page in Features & Options section
- Silverware drawer insert (#SRD)



Arabella Side Chair  
#ARSCF  
18 3/4" w x 17" d x 35 1/4" h



60" x 60" x 1 3/8" Round top (6060T138TR) with Arabella single pedestal (ARTB) and a Bevel edge profile (EB)

## Arabella 60" Round Pedestal Table

Table-#ARTB 6060T138 TR EB

Base will accommodate tops in sizes 48" x 48" - 72" x 72". Max top size 72" with leaves installed.

### Popular Sizes:

- #ARTB4848T138 48" x 48"
- #ARTB5454T138 54" x 54"
- #ARTB6060T138 60" x 60"
- #ARTB7272T138 72" x 72"

Solid Top Only

Choice of 12" or 16" leaf

36" round tables are not available with BBS slide upgrade



Shown in Brown Maple with #30 Asbury

# AUTUMN MILLS *Collection*



- **Autumn Mills Server**
- #AMBT66
- 18"d x 66"l x 36"h
- Steel powdercoated frame
- #AMBT72
- 18"d x 72"l x 36"h
- Steel powdercoated frame
- #AMBT84
- 18"d x 84"l x 36"h
- Steel powdercoated frame



- **Autumn Mills Bench**
- #AMBEN84
- 14"w x 84"l x 18"h
- #AMBEN72
- 14"w x 72"l x 18"h
- #AMBEN60
- 14"w x 60"l x 18"h
- #AMBEN48
- 14"w x 48"l x 18"h
- #AMBEN36
- 14"w x 36"l x 18"h



42"x 84"x 1 3/8"  
Barnwood Mission  
top (4284BTM) with  
a Mission edge  
profile (EM)

- **Bartlett Base Only**
- #3-BRBASE
- Only available in Oak, choices of colors  
of Charcoal, Highlighted Peanut or  
Highlighted Asbury (see color samples)

- **Autumn Mills-Table Top Only**
- Table Top Only
- Available top sizes:  
• 36"x 36"-48"x 96", 54", 60"

## COLLECTION FEATURES

– Reclaimed authentic oak barnwood

### Table Features

- Solid top only
- Mission top
- Mission edge
- 1 5/8" thick top
- Authentic nail holes and imperfections

### Hutch & Buffet Features

- Steel powdercoated frame
- 1 5/8" thick top
- Authentic nail holes and imperfections

Due to the age of the reclaimed wood, color changes and imperfections are to be expected and cannot be specified.

## COLLECTION OPTIONS

### Table Options

- See page 262 for customization and self storing information



• **Celina Chair**  
• #CLSCF  
• 19"w x 17"d x 39"h



- **AM2 Base Only**
- #3-AM2BASE
- Steel powdercoated

## WOOD SPECIES Barnwood

\* Due to the age of the reclaimed wood, color changes and imperfections are to be expected and cannot be specified.

# BARTLETT *Collection*

## COLLECTION FEATURES

– Constructed with solid hardwoods

### Buffet Features

- Soft-closing, full extension, undermount drawer slides
- Soft closing doors
- Dovetailed, solid wood drawers
- Adjustable wood shelves in door
- Wine rack

## COLLECTION OPTIONS

### Table Options

– See page 262 for customization and self storing information

### Buffet Options

– See hardware page in Features & Options section



.....  
**Bartlett Side Chair**  
 #BRSCW  
 19 1/4" w x 17" d x 38 1/4" h



.....  
**Bartlett Arm Chair**  
 #BRARW  
 24" w x 17" d x 38 1/4" h



.....  
**Bartlett Buffet (2 Door, 4 Drawer)**  
 #BRBF54  
 20" w x 54" d x 40" h

.....  
**Bartlett Buffet (2 Door, 4 Drawer)**  
 #BRBF72  
 20" w x 72" d x 40" h

.....  
**Bartlett Buffet (4 Door, 4 Drawer without wine rack)**  
 #BRBF460  
 20" w x 60" d x 40" h

.....  
**Bartlett Buffet (2 Door, 4 Drawer)**  
 #BRBF60  
 20" w x 60" d x 40" h

.....  
**Bartlett Buffet (4 Door, 4 Drawer without wine rack)**  
 #BRBF454  
 20" w x 54" d x 40" h

.....  
**Bartlett Buffet (4 Door, 4 Drawer without wine rack)**  
 #BRBF472  
 20" w x 72" d x 40" h



Shown in Brown Maple with # 51 Autumn Finish

\*Hutches/Bufetts ordered in Elm will be built using Oak for the interior.



.....  
**Bartlett Table**  
 Table-BRTB 4272T138 TM EM  
 Base will accommodate tops in sizes 36" x 60" - 72" x 72".  
 Max top size 120" with leaves installed.

.....  
**Popular Sizes:**  
 #BRTB4272T138 42" x 72"  
 #BRTB4872T138 48" x 72"  
 Choice of 12" or 16" leaf

42" x 72" x 1 3/8" Mission top (4272T138TM) with Bartlett Double pedestal (BRTB) and a Mission edge profile (EM)

# BEACON HILL *Collection*



**Beacon Hill Buffet**  
 #BHBFB  
 31" w x 18" d x 40" h - #BHBFB31 - 2 Door  
 54" w x 18" d x 40" h - #BHBFB54 - 4 Door  
 76" w x 18" d x 40" h - #BHBFB76 - 6 Door

## COLLECTION FEATURES

- Constructed with solid wood
- Buffet & Sideboard Features**
- Soft-closing, full extension, undermount drawer guides
- Dovetailed, solid wood drawers
- Soft-close doors
- Buffet has 2 adjustable shelves behind each set of doors

## COLLECTION OPTIONS

- Table Options**
- See page 262 for customization and self storing information
- Hutch & Buffet Options**
- See hardware page in Features and Options section
- Silverware drawer insert



**Beacon Hill Slat Chair**  
 19" w x 16 1/2" d x 37 1/2" h  
 #BHSSC Wood  
 #BHSSCF Fabric  
 #BHSSCL Leather



**Beacon Hill Slat Arm Chair**  
 19" w x 16 1/2" d x 37 1/2" h  
 #BHSAC Wood  
 #BHSACF Fabric  
 #BHSACL Leather



**Beacon Hill Bench**  
 15" d x 18" h  
 36" w #BHBEN36  
 48" w #BHBEN48  
 60" w #BHBEN60  
 72" w #BHBEN72

**Beacon Hill Expandable Bench**  
 #BHEXB  
 48"-96" w x 15" d x 18" h



**Beacon Hill Sideboard**  
 52" w x 18" d x 36" h - #BHSD52  
 60" w x 18" d x 36" h - #BHSD60  
 68" w x 18" d x 36" h - #BHSD68



42" x 72" x 1 3/8" Beacon Leg Mission top (4272BTM) with Beacon Hill Leg (BHLTB) and an Ogee edge profile (EO)

## Beacon Hill Leg Table

- Table-#BHLTB 4272T138B TM EO
- Base will accommodate tops in sizes 36" x 36" - 72" x 72". Max top size 216" with leaves installed.

## Popular Sizes:

- #BHLTB3660BTM 42" x 60"
- #BHLTB4266BTM 42" x 66"
- #BHLTB4272BTM 42" x 72"
- #BHLTB4866BTM 48" x 66"
- #BHLTB4872BTM 48" x 72"
- Choice of 12" or 16" leaf



# BEACON HILL *Collection*

CONTINUED...



Beacon Hill  
Arm Chair  
25 1/2"w x 16 1/2"d x 38"h  
#BHAC Fabric  
#BHACL Leather



Beacon Hill  
Side Chair  
18 1/2"w x 16 1/2"d x 38"h  
#BHSC Fabric  
#BHSCS Leather



Beacon Hill Pedestal Table  
Table-#BHPTB 6060 TR EM  
Base will accommodate tops in sizes 48"x48"-72"x72". Max top size 72" with leaves installed.  
**Popular Sizes:**  
#BHPTB4848 48"x48"  
#BHPTB5454 54"x54"  
#BHPTB6060 60"x60"  
#BHPTB7272 72"x72" Solid Top Only  
Choice of 12" or 16" leaf  
36" round tables are not available with BBS slide upgrade

60" x 60" x 1" Round top (6060TR) with Beacon Hill Single pedestal (BHPTB) and a Mission edge profile (EM)

# BOWIE & BOWIE PUB *Collection*

## COLLECTION FEATURES

### Bowie Features

- Round top is standard
- Underbevel edge is standard
- 1" thick top is standard

### Bowie Pub Features

- Available sizes are 36", 42", or 48" Round
- Available only in 36" tall (42" tall not available)
- Underbevel edge is standard
- Pub only available as solid top
- Pub table top will be built without apron



Bowie Pub Table  
Table- #BETB 4242 TR EU TLC  
36" round tables are not available with BBS slide upgrade



Bowie Table  
Table-BETB 4242 TR EU  
Max top size 66" with leaves installed.  
**Popular Sizes:**  
#BETB4242 42"  
#BETB4848 48"  
#BETB5454 54"  
36" round tables are not available with BBS slide upgrade



SUGGESTED CHAIR  
Soma Slat Side Chair  
19 1/4"w x 17 1/4"d x 36"h  
#SMSSC Wood  
#SMSSCF Fabric  
#SMSSCL Leather

Shown in Brown Maple with #65 Chocolate finish

# BRIDGEPORT *Collection*

## COLLECTION FEATURES

– Constructed with solid hardwoods

## Chair Features

– Bench-built construction  
– Glued mortis and tenon joints  
– Accurately leveled for stability

## COLLECTION OPTIONS

### Table Options

– See page 262 for customization and self storing information



42" x 42" x 1" Round top (4242TR) with Bridgeport Single pedestal (BTTB) and a Roundover edge profile (ER)

### Bridgeport Table

Table-#BTTB 4242 TR ER

Base will accommodate tops in sizes 36" x 36" - 60" x 60". Max top size 66" with leaves installed.

### Popular Sizes:

#BTTB3636 36"  
#BTTB4242 42"  
#BTTB4848 48"  
#BTTB5454 54"  
#BTTB6060 60"

Choice of 12" or 16" leaf or 18" butterfly leaf  
36" round tables are not available with BBS slide upgrade

### Bridgeport Side Chair

#A-BTSCW

17" w x 16 1/2" d x 37 1/2" h



Shown in Brown Maple with #32 Michael's Cherry Finish

# BRIDGEPORT *Collection* DOUBLE PEDESTAL

## COLLECTION FEATURES

– Constructed with solid hardwoods

## COLLECTION OPTIONS

### Table Options

– See page 262 for customization and self storing information



42" x 72" x 1" Banquet top (4272TBT) with Bridgeport Double pedestal (BTDTB) and a Roundover edge profile (ER)

### Bridgeport Double Pedestal Table

Table-#BTDTB 4272 TBT ER

Base will accommodate tops in sizes 36" x 60" - 72" x 72". Max top size 120" with leaves installed.

### Popular Sizes:

#BTDTB3660 36" x 60"    #BTDTB4866 48" x 66"  
#BTDTB4266 42" x 66"    #BTDTB4872 48" x 72"  
#BTDTB4272 42" x 72"

Choice of 12" or 16" leaf

### Hatfield Side Chair

#A-HASCW

18 1/2" w x 16 1/2" d x 37 1/2" h



Shown in Brown Maple with #88 Black Cherry

# BURWICK *Collection*

## COLLECTION FEATURES

- Trestle table features 1 3/8" thick plank style top
- Pedestal table features 1 3/8" thick smooth top

## Table Options

- See page 262 for customization and self storing information



## SUGGESTED CHAIR

### Richfield Side Chair

#NC-9036SCW

19 1/2" w x 17 1/2" d x 41" h

### Richfield Arm Chair

(not shown)

#NC-9036ACW

26" w x 17 1/2" d x 41" h



## Burwick Round Table

Table-#14-80044848

Max top size 66" with leaves installed.

## Popular Sizes:

#14-80044242 42"

#14-80044848 48"

#14-80045454 54"

36" round tables are not available with BBS slide upgrade



## Burwick Trestle Table

Table- 14-80014872

Max top size 120" with leaves installed.

## Popular Sizes:

#14-80014272 42" x 72"

#14-80014872 48" x 72"

Shown in Brown Maple with #32 Michaels finish

# CAPE COD PUB *Collection*

## COLLECTION FEATURES

- Constructed with solid hardwoods

## Table Features

- Base features 2 drawer for 30" height tables and 3 drawer for 36" or 42" high

## Chair Features

- Standard seat height is 24"

## COLLECTION OPTIONS

- Distressed finish (#2D)
  - Hand-planed tops (#HPD)
  - Two-tone finish (#2TN)
- Table Options**
- See page 262 for customization and self storing information



Shown in Brown Maple with #99 Toffee Top and #49 Onyx Base

# CAPE COD PUB *Collection*

CONTINUED...



Cape Cod Bar Chair  
#CDBSW  
25" w x 18" d x 40" h



42" x 42" x 1" Mission top with 1 butterfly leaf (42421BTM) with 36" tall Cape Cod pedestal (CDTB TLC) and a Mission edge profile (EM)

Standard 30" dining height pedestal will only have two drawers.

Cape Cod Table  
Table-#CDTB TLC 42421B TM EM

Base will accommodate tops in sizes 42" x 42" - 72" x 72". Max top size 72" with leaves installed.

**Popular Sizes:**

- #CDTB4848 48" x 48"
- #CDTB4860 48" x 60"

Choice of 12" or 16" leaf or 18" butterfly leaf

# CASPIAN *Collection*

**COLLECTION FEATURES**

- Constructed with solid hardwoods

**Trestle Table Features**

- Top features 1 3/8" thick, plank style top

**Single Table Features**

- 1 3/8" thick smooth top is standard  
- Round top is standard  
- Mission edge is standard

**Hutch Features**

- Flush doors with light guard  
- Antique glass sides  
- Leaded glass doors  
- Open deck  
- Touch lighting  
- 2 adjustable glass shelves with plate grooves  
- Fixed shelf in base  
- Soft closing undermount drawer guide  
- Soft closing doors  
- Dovetailed solid wood drawers

**COLLECTION OPTIONS**

**Table Options**

- See page 262 for customization and self storing information

**Hutch Options**

- Hardware options (see Features & Options section)  
- Mirror Back (#MB)  
- Silverware Drawer insert (#SRD)



Caspian Standard Bench  
(not shown)

- 36" w - #CPBEN36
- 48" w - #CPBEN48
- 60" w - #CPBEN60
- 72" w - #CPBEN72

**Caspian Expandable Bench**

- #CPEXB
- 48-96" w x 13" d x 18" h

See Features & Options section for expectations and details on plank tops.



Shown in Rustic Cherry with #74 Rustic Bourbon Distressed

# CASPIAN *Collection*

CONTINUED...



Caspian Table  
iron detail

**Caspian Hutch**  
#CPBFT40 (2-door)  
42 1/2" w x 20" d x 46" h  
#CPBFT60 (3-door)  
60 1/2" w x 20" d x 46" h  
#CPBFT80 (4-door)  
80 1/2" w x 20" d x 46" h



**Caspian Buffet**  
#CPBFB40 (2-door)  
40" w x 20" d x 34" h  
#CPBFB60 (3-door)  
58" w x 20" d x 34" h  
#CPBFB80 (4-door)  
78" w x 20" d x 34" h



**Caspian Table**  
Table-CPTB 4272P1 TM EM

Base will accommodate tops in sizes  
36" x 60"-72" x 72". Max top size 120"  
with leaves installed.

**Popular Sizes:**  
#CPTB4272P1 42" x 72"  
#CPTB4872P1 48" x 72"  
16" leaf

42" x 72" x 1 3/8" Planked mission  
top (4272P1TM) with Caspian  
Double pedestal (CPTB) and a  
Mission edge profile (EM)



**Caspian Arm Chair**  
#CPACL  
24" w x 17" d x 39" h



**Caspian Side Chair**  
#CPSCL  
19" w x 17" d x 39" h



**Caspian Single Table**  
Table-CPSTBT 1384242 TR EM

Max top size 72" with leaves  
installed.

**Popular Sizes:**  
#CPSTBT1384242 42"  
#CPSTBT1384848 48"  
#CPSTBT1385454 54"  
#CPSTBT1386060 60"  
36" round tables are not  
available with BBS slide upgrade

Shown in Brown Maple  
with #30 Asbury Finish



**Inlay**  
is standard



**Castlebrook Arm Chair**  
#CAACW  
23 1/2" w x 18" d x 42" h



**Castlebrook Side Chair**  
#CASCW  
18 1/2" w x 18" d x 42" h



**Castlebrook High Buffet**  
#CAHBF47 (2-door) 47" w x 20" d x 50" h  
#CAHBF59 (3-door) 59 1/4" w x 20" d x 50" h  
#CAHBF71 (4-door) 71" w x 20" d x 50" h



**Castlebrook Hutch**  
#CABFT46 (2-door) 46" w x 20" d x 46" h  
#CABFT60 (3-door) 60" w x 20" d x 46" h  
#CABFT72 (4-door) 72" w x 20" d x 46" h

**Castlebrook Buffet**  
#CABFB46 (2-door) 45" w x 20" d x 35" h  
#CABFB60 (3-door) 59" w x 20" d x 35" h  
#CABFB72 (4-door) 71" w x 20" d x 35" h

# CASTLEBROOK *Collection*

## COLLECTION FEATURES

- Constructed with solid hardwoods
- Yellowheart wood used for inlay

## Table Features

- Base features yellowheart wooden inlay

## Buffet & Hutch Features

- Soft-closing, full extension, undermount drawer slides
- Soft-closing doors
- Dovetailed, solid wood drawers
- Multi-setting touch lights
- W-1 and W-2 hardware is the standard



**Castlebrook Table**  
Table-#CATB 4272 TM EM

Base will accommodate tops in sizes 36" x 60"-72" x 72". Max top size 120" with leaves installed.

## Popular Sizes:

- #CATB3660 36" x 60"
- #CATB4272 42" x 72"
- #CATB4872 48" x 72"

Choice of 12" or 16" leaf

42" x 72" x 1" Mission top (4272TM) with Castlebrook Double pedestal (CATB) and a Mission edge profile (EM)



Shown in Quartersawn Oak with #32 Michael's Cherry

# CELINA *Collection*



- **Celina Buffet**  
(4 door, 1 drawer)  
#CLBF54  
20" d x 54" l x 40" h
- **Celina Buffet**  
(4 door, 1 drawer)  
#CLBF60  
20" D x 60" l x 40" h
- **Celina Buffet**  
(4 door, 1 drawer)  
#CLBF72  
20" d x 72" l x 40" h

- COLLECTION FEATURES**  
– Constructed with solid hardwoods
- Buffet Features**  
– Soft-closing, full extension, undermount drawer slides  
– Soft closing doors  
– Dovetailed, solid wood drawers  
– Radius doors

- COLLECTION OPTIONS**
- Table Options**  
– See page 262 for customization and self storing information
- Buffet Options**  
– See hardware page in Features & Options section



• **Celina Side Chair**  
#CLSCF  
19" w x 17" d x 39" h



60" x 60" x 1 3/8" Round top (6060T138TR) with Celina single pedestal (CLTB) and a Ogee edge profile (EO)

• **Celina Table**  
Table-CLTB 6060T138 TR EB

Base will accommodate tops in sizes 48"x48" - 72"x72". Max top size 72" with leaves installed.

- **Popular Sizes:**  
#CLTB48T138 48"  
#CLTB54T138 54"  
#CLTB60T138 60"  
#CLTB72T138 72" Solid Top Only
- Choice of 12" or 16" leaf  
36" round tables are not available with BBS slide upgrade



Shown in Quartersawn with # 97 Chateau Finish

# CHARLESTON *Collection*

## COLLECTION FEATURES

- Constructed with solid hardwoods
- 1" thick tops

**Sedona Side Chair**  
#SASCW  
19"w x 17"d x 38"h



Shown in Cherry with #51 Autumn



- **Charleston Pub Table**
- Table-#CNTBTLC 4242 TR EM
- Base will accommodate tops in sizes 42" x 42" - 60" x 60". Max top size 66" with leaves installed.
- 36" round tables are not available with BBS slide upgrade

42" x 42" x 1" Round top (4242TR) with Charleston single pedestal counter height (CNTBTLC) and a Mission edge profile (EM)



**Charleston Table**  
Table-#CNTB 4242 TR EM

Base will accommodate tops in sizes 42" x 42" - 60" x 60". Max top size 66" with leaves installed.

- Popular Sizes:**
- #CNTB4242 42"
  - #CNTB4848 48"
  - #CNTB5454 54"
  - #CNTB6060 60"

Choice of 12" or 16" leaf or 18" butterfly leaf  
36" round tables are not available with BBS slide upgrade

42" x 42" x 1" Round top (4242TR) with Charleston single pedestal (CNTB) and a Mission edge profile (EM)

# CLASSIC *Collection*



**Leg options L to R**  
(top square leg dimensions):  
#L1 Brookline (2 3/8")  
#L2 Englewood (3")  
#L3 Farmer (3 1/2")

#L4 Hoosier (3")  
#L7 Mission (3")  
#L8 Regular (3")  
#L9 Round Shaker (3")  
#CCTB Classic Shaker L10 (3")



**Classic Table**  
Table-CCTB 4266 TM EB  
Base will accommodate tops in sizes 36"x 36"-72"x 72". Max top size 216" with leaves installed.  
**Popular Sizes:**  
#CCTB3648 36"x48"    #CCTB4860 48"x60"  
#CCTB3654 36"x54"    #CCTB4866 48"x66"  
#CCTB3660 36"x60"    #CCTB4872 48"x72"  
#CCTB4260 42"x60"    #CCTB6060 60"x60"  
#CCTB4266 42"x66"    #CCTB7272 72"x72"  
#CCTB4272 42"x72"  
Choice of 12" or 16" leaf or 18" butterfly leaf

42" x 66" x 1" Mission top (4266TM) with Shaker legs (CCTB) and a Bevel edge profile (EB)

## COLLECTION FEATURES

- Constructed with solid hardwoods
- 1" thick tops

## Buffet & Hutch Features

- Soft-closing, full extension, undermount drawer guides
- Dovetailed, solid wood drawers
- Recessed touch lighting
- Beveled glass doors are standard
- 1 adjustable glass shelf with plate grooves
- Soft-close doors

## COLLECTION OPTIONS

- Distressed finish (#2D)
- Hand-planed tops (#HPD)
- Two-tone finish (#2TN)

## Table Options

- See page 262 for customization and self storing information

## Buffet & Hutch Options

- See hardware page in Features & Options section
- Silverware drawer insert (#SRD)
- Mirror back available
- Available with 2 doors (40"wide), 3 doors (56"wide) or 4 doors (72"wide)

**Kennebec Side Chair**  
#KCSCW  
19 1/2"w x 19"d x 42"h

**Kennebec Arm Chair**  
(not shown)  
#KCACW  
25"w x 19"d x 42"h



"STOCK  
ITEMS  
READY FOR  
IMMEDIATE  
SHIPPING"



Shown in Brown Maple with #30 Asbury

# CLASSIC *Collection*

CONTINUED...

**Classic Hutch**

- #CCBFT40 (2-door) 40" w x 20" d x 46" h
- #CCBFT56 (3-door) 56" w x 20" d x 46" h
- #CCBFT72 (4-door) 72" w x 20" d x 46" h



**Classic Buffet**

- #CCBFB40 (2-door) 40" w x 20" d x 34" h
- #CCBFB56 (3-door) 56" w x 20" d x 34" h
- #CCBFB72 (4-door) 72" w x 20" d x 34" h



**Classic Arm Chair**

- #CCACW
- 25 1/2" w x 17 3/4" d x 42" h



**Classic Side Chair**

- #CCSCW
- 18" w x 17 3/4" d x 42" h

# COPENHAGEN *Collection*

**COLLECTION FEATURES**

- Mission edge is standard
- No optional table shapes or edges available
- Base will be used in combination with Flush skirt as shown

**Leaf Storage Cabinet Features**

- Available in sizes 60" or 72" length - 60" stores 36", 42", or 48" long leaves, and 72" stores 54" or 60" long leaves
- 38" standard height
- Standard depth is 20" and will need to add 6" in depth to store 16" wide leaves
- Cabinets can store up to 10 leaves with skirt
- Standard with two adjustable shelves

**SUGGESTED CHAIR**

- Morgan Side Chair**
- 19 1/4" w x 17" d x 34" h
- #MNSCW Wood
- #MNSCF Fabric
- #MNSCL Leather
- Morgan Arm Chair (not shown)**
- 24 1/2" w x 17" d x 34" h
- #MNACW Wood
- #MNACF Fabric
- #MNAFL Leather



**Copenhagen Table**

- Table-#CHTB 4266 TM EM

Max top size 120" with leaves installed.

**Popular Sizes:**

- #CHTB4260 42" x 60"
- #CHTB4266 42" x 66"
- #CHTB4272 42" x 72"
- #CHTB4860 48" x 60"
- #CHTB4866 48" x 66"
- #CHTB4872 48" x 72"



**Copenhagen Leaf Storage Cabinet**

- #CHBF60 60"



Shown in Brown Maple with #65 Chocolate finish

# CRANBROOK *Collection*

## COLLECTION FEATURES

- Solid wood construction
- Chair Features**
- Bench built construction
- Glued mortis and tenon joints
- Accurately leveled for stability
- Leather and fabric are hand selected for consistency

## COLLECTION OPTIONS

- Table Options**
- See page 262 for customization and self storing information



- **Cranbrook Side Chair**
- #A-CKSCW
- 18 1/2" w x 17" d x 39" h
- - Also available with fabric or leather seat option



Shown in Oak with #33 Medium Finish



- **Cranbrook Table**
- Table-CKTB 4272 TM EM
- Base will accommodate tops in sizes 36" x 60" - 72" x 72". Max top size 120" with leaves installed.
- **Popular Sizes:**
- #CKTB3654 36" x 54"      #CKTB4272 42" x 72"
- #CKTB3660 36" x 60"      #CKTB4860 48" x 60"
- #CKTB4260 42" x 60"      #CKTB4866 48" x 66"
- #CKTB4266 42" x 66"      #CKTB4872 48" x 72"
- Choice of 12" or 16" leaf

42" x 72" x 1" Mission top (4272TM) with Cranbrook Double pedestal (CKTB) and a Mission edge profile (EM)

# EDMONTON *Collection*

## COLLECTION FEATURES

- Constructed with solid hardwoods
- 1" thick tops

## Hutch & Buffet Features

- Soft-closing, full extension, undermount drawer slides
- Dovetailed, solid wood drawers
- Inset doors and drawers are standard
- 2 adjustable glass shelves
- Recessed touch lighting
- Adjustable wood shelf in base
- Soft-close doors

## COLLECTION OPTIONS

- Distressed finish (#2D)
- Hand-planed tops (#HPD)
- Two-tone finish (#2TN)

## Table Options

- See page 262 for customization and self storing informatio

## Hutch & Buffet Options

- See hardware page in Features & Options section
- Silverware drawer insert (#SRD)

Edmonton Side Chair  
#ENSCW  
18"w x 17"d x 38"h



Edmonton Arm Chair  
#ENACW  
22 1/2"w x 17"d x 38"h

Edmonton Corner Hutch  
#ENBFT  
46"w x 25"d x 53"h



Edmonton Corner Buffet  
#ENBFB  
46"w x 25"d x 36"h

Standard hardware is E-5

"STOCK  
ITEMS  
READY FOR  
IMMEDIATE  
SHIPPING"



Shown in Brown Maple with #30 Asbury



Edmonton Table  
Table-#ENTB 4242 TR EM

Base will accommodate tops in sizes 36"x36" - 60"x60". Max top size 66" with leaves installed.

## Popular Sizes:

- #ENTB3636 36"
- #ENTB4242 42"
- #ENTB4848 48"
- #ENTB5454 54"

Choice of 12" or 16" leaf or 18" butterfly leaf  
36" round tables are not available with BBS slide upgrade

42" x 42" x 1" Round top (4242TR) with Edmonton single pedestal (ENTB) and a Mission edge profile (EM)

# ELARA *Collection*



54" x 36" x 1" w/1-18" Butterfly Leaf and Mission top (54361BTM) with Elara legs Counter Height (EATBTLC) and an underbevel edge profile (EU)



### Elara Bar Chair

- #EA24
- 18 1/2" w x 16 3/4" d x 44" h
- #EA24 - 24" Fabric
- #EA24L - 24" Leather
- #EA26
- 18 1/2" w x 16 3/4" d x 46" h
- #EA26 - 26" Fabric
- #EA26L - 26" Leather
- #EA30
- 18 1/2" w x 16 3/4" d x 50" h
- #EA30 - 30" Fabric
- #EA30L - 30" Leather

### Elara Pub Table

Table-#EATBTLC 54361B TM EU

Base will accommodate tops in sizes 36"x36"-72"x72". Max top size 216" with leaves installed.

### Popular Sizes:

- #EATB36TLC 54x36x 36" Tall
- #EATB42TLC42 54x36x 42" Tall
- Choice of 18" butterfly leaf



### Elara Dining Table

Table-#EATB 4284 TM EU

Base will accommodate tops in sizes 36"x36"-72"x72". Max top size 216" with leaves installed.

### Popular Sizes:

- #EATB3648 36"x48" #EATB4284 42"x84" Solid Top Only
- #EATB3654 36"x54" #EATB4860 48"x60"
- #EATB3660 36"x60" #EATB4866 48"x66"
- #EATB4260 42"x60" #EATB4872 48"x72"
- #EATB4266 42"x66" Choice of 12" or 16" leaf or 18" butterfly leaf
- #EATB4272 42"x72"

42" x 84" x 1" Mission top (4284TM) with Elara legs (EATB) and an underbevel edge profile (EU)

### COLLECTION FEATURES

- Constructed with solid wood
- 1" Thick Tops

### Table Features

- Base will be used in combination with detailed skirt as shown

### Buffet & Hutch Features

- Soft-closing, full extension, undermount drawer guides
- Dovetailed, solid wood drawers
- Recessed touch lighting
- Soft-close doors
- Display chest includes 2 adjustable glass shelves
- Door chest includes 2 adjustable shelves
- Shelf chest includes 2 adjustable shelves that can be used as wine bottle holders or regular shelves

### COLLECTION OPTIONS

- Distressed finish (#2D)

### Table Options

- See page 262 for customization and self storing information

### Hutch & Buffet Options

- See hardware page in Features and Options section



### Elara Side Chair

- #EASC - Fabric
- #EASCL - Leather
- 18 1/2" w x 16 3/4" d x 38" h



Shown in Brown Maple with #103 Dew

# ELARA *Collection*

CONTINUED...



**Elara Display Chest**  
#EADPC  
40" w x 19" d x 78" h



**Elara Shelf Chest**  
#EASC  
38" w x 18" d x 38" h



**Elara Door Chest**  
#EADC  
38" w x 18" d x 38" h



For same hardware in brushed nickel color, specify 7975384195 Hardware choice.



Individual units can be combined to form 1 large buffet

# ELLIOT *Collection*

## COLLECTION FEATURES

### Trestle Table Features

- 1" thick top is standard
- Large Cove edge is standard
- Mission shape top is standard
- 42" x 72", self-store up to 2 leaves with skirt and 2 leaves without skirt
- 48" x 72", self-store up to 4 leaves without skirt

### Single Table Features

- 1" thick top is standard
- Large Cove Edge is standard



### Elliot Bench

- #ETBEN36 36"
- #ETBEN48 48"
- #ETBEN60 60"
- #ETBEN72 72"

### Elliot Expanda Bench

ETEXB

### Elliot Round Table

ETSTB 4848 TR EV

Max top size 72" with leaves installed.

### Popular Sizes:

- #ETSTB4242 42"
- #ETSTB4848 48"
- #ETSTB5454 54"
- #ETSTB6060 60"

Shown in Brown Maple with #45 New Century finish

36" round tables are not available with BBS slide upgrade



### SUGGESTED CHAIR

#### Richfield Side Chair

NC-9036SCW  
19 1/2" w x 17 1/2" d x 41" h

#### Richfield Arm Chair

(not shown)  
NC-9036ACW

26" w x 17 1/2" d x 41" h



### Elliot Trestle Table

ETTB 4272 TM EV

Max top size 120" with leaves installed.

### Popular Sizes:

- #ETTB4260 42" x 60"
- #ETTB4266 42" x 66"
- #ETTB4272 42" x 72"
- #ETTB4872 48" x 72"

Shown in Brown Maple with #103 Dew finish

# FARMVILLE *Collection*

## COLLECTION FEATURES

– Constructed with solid wood

### Trestle Features

- Mission top
- 1 3/8" thick top
- Available w/ up to 4-12" leaves
- Mission edge profile

### Single Pedestal Features

- Mission edge profile
- 1 3/8" thick top
- Minimum top size 42"
- Round top
- Max. length 66" with leaves included

### Buffet Features

- Soft-Closing, full extension, undermount drawer slides
- Soft closing doors on buffet only
- Dovetailed, solid wood drawers
- Fixed wood shelf in base
- Recessed touch lighting
- 2 glass adjustable shelves

## COLLECTION OPTIONS

### Table Options

– See page 262 for customization and self storing information

### Buffet Options

– See hardware page in Features & Options section

### Conner Side Chair

19" w x 17" d x 41" h  
#CRSCW Wood  
#CRSCF Fabric  
#CRSCL Leather

### Conner Arm Chair (not shown)

25" w x 17" d x 41" h  
#CRACW Wood  
#CRACF Fabric  
#CRACL Leather



### Farmville Buffet (3 Drawer, 2 Door)

#FEBF  
20" w x 57" d x 35" h

### Farmville Buffet (1 Drawer, 2 Door)

#FEBF31  
20" w x 31 1/2" d x 35" h

### Farmville Hutch (2 Door)

#FEBFT  
20" w x 60 1/2" d x 46 1/2" h

### Farmville Hutch (1 Door)

#FEBFT35  
20" w x 57" d x 35" h



### Farmville Table

Table-FETB 4272T138 TM EM

Base will accommodate tops in sizes 36"x60"-72"x72". Max top size 120" with leaves installed.

### Popular Sizes:

- #FETB4272T138 42"x72"
- #FETB4284T138 42"x84" Solid Top Only
- #FETB4872T138 48"x72"
- #FETB4884T138 48"x84" Solid Top Only
- Choice of 12" or 16" leaf



42" x 72" x 1 3/8" Mission top (4272T138TM) with Farmville Double pedestal (FETB) and a Mission edge profile (EM)



Shown in Rustic Cherry with #103 Dew

# FULTON *Collection*

## COLLECTION FEATURES

### Round Table Features

- Available 42", 48", or 54" diameter
- Round top is standard
- Bevel edge is standard

### Trestle Table Features

- Available in 42"x 72" or 48"x 72"
- Can self store up to 2 leaves with skirt and 2-without on 42"x 72" can self store up to 4 leaves all without skirt on 48"x 72"
- Rectangular top is standard
- Bevel edge is standard
- Standard top thickness is 1"

**Heflin Side Chair**  
#54-9069SCW  
19"w x 18 1/4"d x 39 3/4"h

**Heflin Arm Chair  
(not shown)**  
#54-9069ACW

Shown in Brown Maple with  
#30 Asbury



**Fulton Round Table**  
Table-#FNSTB 4242 TM EB

Max top size 72"  
with leaves installed.

#### Popular Sizes:

- #FNSTB4242 42"
- #FNSTB4848 48"
- #FNSTB5454 54"

Shown in Brown Maple with #30 Asbury.  
36" round tables are not available with  
BBS slide upgrade



**Fulton Bench**  
#FNBEN36 36"  
#FNBEN48 48"  
#FNBEN60 60"  
#FNBEN72 72"

**Fulton Expandable Bench**  
#FNEXB



**Fulton Trestle**  
Table-#FNTB 4272 TM EB

Max top size 120"  
with leaves installed.

#### Popular Sizes:

- #FNTB4260 42" x 60"
- #FNTB4266 42" x 66"
- #FNTB4272 42" x 72"
- #FNTB4872 48" x 72"

Shown in Rustic Cherry with  
#68 Hazelnut finish.

# GIBSON *Collection*



- **Gibson High Buffet**
- #GBHBF44 (2-door, 4-drawer)  
44"w x 20"d x 50"h
- #GBHBF56 (3-door, 4-drawer)  
56"w x 20"d x 50"h
- #GBHBF68 (4-door, 6-drawer)  
68"w x 20"d x 50"h



- **Gibson Bench**
- #GBBEN36 36"w x 13"d x 18"h
- #GBBEN48 48"w x 13"d x 18"h
- #GBBEN60 60"w x 13"d x 18"h
- #GBBEN72 72"w x 13"d x 18"h

- **Gibson Expandable Bench**
- #GBEXB
- 48-96"w x 13"d x 18"h



- **Gibson Table**
- Table-GBTB 4272 TM EB

Base will accommodate tops in sizes 36"x36"-72"x72". Max top size 216" with leaves installed.

**Popular Sizes:**

- #GBTB3648 36"x48"
- #GBTB3654 36"x54"
- #GBTB3660 36"x60"
- #GBTB4260 42"x60"
- #GBTB4266 42"x66"
- #GBTB4272 42"x72"
- #GBTB4860 48"x60"
- #GBTB4866 48"x66"
- #GBTB4872 48"x72"

Choice of 12" or 16" leaf or 18" butterfly leaf

42" x 72" x 1" Mission top (4272TM) with Gibson legs (GBTB) and a Bevel edge profile (EB)

**COLLECTION FEATURES**

– Constructed with solid hardwoods

**Table Features**

– Base will be used in combination with arched skirt as shown

**Hutch Features**

- Flush doors with light guard
- Multi-setting touch lights
- 1 adjustable glass shelf
- Soft closing undermount drawer guide
- Soft closing doors
- Dovetailed solid wood drawers



- **Gibson Side Chair**
- #GBSCW
- 19"w x 17 1/2"w x 38"h



- **Gibson Arm Chair**
- #GBACW
- 22"w x 17 1/2"d x 38"h



Shown in Cherry with #52 Finish

# GOSHEN *Collection*



•••••  
**Goshen Buffet**  
 #GNBF60  
 60"w x 20"d x 40"h

**COLLECTION FEATURES**

- Constructed with solid hardwoods
- 1" thick tops

**Buffet Features**

- Textured glass is standard
- One hardwood shelf in each door
- Inset doors and drawers are standard
- Soft-closing, full extension, undermount drawer slides
- Dovetailed, solid wood drawers
- Soft-close doors

•••••  
**Classic Side Chair**  
 #CCSCW  
 18"w x 17 3/4"d x 42"h

•••••  
**Classic Arm Chair**  
 (not shown)  
 #CCACW  
 25 1/2"w x 17 3/4"d x 42"h



•••••  
**Goshen Table**  
 Table-#GNTB 4272 TM EM

••••• Base will accommodate tops in sizes 36"x 60"-72"x 72". Max top size 120" with leaves installed.

••••• **Popular Sizes:**

- #GNTB3654 36"x 54"
- #GNTB3660 36"x 60"
- #GNTB4272 42"x 72"
- #GNTB4872 48"x 72"

••••• Choice of 12" or 16" leaf

42" x 72" x 1" Mission top (4272TM) with Goshen Double pedestal (GNTB) and a Mission edge profile (EM)



Shown in Quartersawn Oak with #32 Michael's Cherry

# HATFIELD *Collection*

## COLLECTION FEATURES

- Solid wood construction
- Hutch & Buffet Features**
- Recessed touch lights
- Side-mount full extension drawer guides
- Dovetailed, wood drawers
- 2 adjustable glass shelves in hutch
- 1 adjustable wood shelf in buffet

## Chair Features

- Bench built construction
- Glued mortis and tenon joints
- Accurately leveled for stability
- Leather and fabric are hand selected for consistency

## COLLECTION OPTIONS

### Table Options

- See page 262 for customization and self storing information

### Hutch & Buffet Options

- See hardware page in Features & Options section

**Hatfield Side Chair**  
#A-HASCW  
18 1/2"w x 16 1/2"d x 37 1/2"h  
- Also available with fabric or leather seat



Shown in Brown Maple with #32 Michael's Cherry



**Hatfield Hutch**  
#HDBFT  
38"w x 17"d x 38 1/4"h

**Hatfield Buffet**  
#HDBFB  
38"w x 17"d x 38"h



**Hatfield Table**  
Table-L1 4266 TBS EB

Base will accommodate tops in sizes 36"x36"-72"x72". Max top size 216" with leaves installed.

### Popular Sizes:

- #L1TB3654 36"x 54"
- #L1TB3660 36"x 60"
- #L1TB4260 42"x 60"
- #L1TB4266 42"x 66"
- #L1TB4860 48"x60"
- #L1TB4866 48"x66"
- #L1TB4872 48"x72"

Choice of 12" or 16" leaf

42" x 66" x 1" Boat top (4266TBS) with Brookline legs (L1) and a Bevel edge profile (EB)



Features **Ebony Inlays**

- **Hayworth Hutch**
- #HHBFT62 (3-door)
- 62"w x 21 1/2" d x 46"h
- #HHBFT46 (2-door)
- 46"w x 21 1/2" d x 46"h
- #HHBFT80 (4-door)
- 80"w x 21 1/2" d x 46"h
- – Crown molding adds 3" to overall width



- **Hayworth Buffet**
- #HHBFB46 (2-door)
- 46"w x 21 1/2" d x 35"h
- #HHBFB62 (3-door)
- 62"w x 21 1/2" d x 35"h
- #HHBFB80 (4-door)
- 80"w x 21 1/2" d x 35"h



42" x 72" x 1" Boat top(4272TBS) with Hayworth Double pedestal (HHTB) and a Bevel edge profile (EB) with inlay (HI)

**Inlay in base is standard. Inlay in top is optional and will be built without inlay if not noted when being ordered.**

- **Hayworth Table**
- Table-#HHTB 4272 TBS EBHI
- Base will accommodate tops in sizes 36" x 60" - 72" x 72". Max top size 120" with leaves installed.

- **Popular Sizes:**
- #HHTB4272 42"x72" No Inlay In Top
- #HHTB4272HI 42"x72" With Inlay In Top
- #HHTB4872 48"x72" No Inlay In Top
- #HHTB4872HI 48"x72" With Inlay In Top
- Choice of 12" or 16" leaf

# HAYWORTH *Collection*

## COLLECTION FEATURES

- Constructed with solid hardwoods
- 1" thick tops
- Ebony inlays
- Table Features**
- Base features Ebony wooden inlay
- Hutch & Buffet Features**
- Recessed touch lighting
- Beveled glass doors are standard
- 2 adjustable glass shelves with plate grooves
- Soft-closing, full extension, undermount drawer slides
- Dovetailed, solid wood drawers
- Soft-close doors



- **Hayworth High Back Arm Chair (shown)**
- #HHHACW
- 26"w x 18"d x 49"h

- **Hayworth Arm Chair**
- #HHACW
- 26"w x 18"d x 43"h



- **Hayworth Side Chair (shown)**
- #HHSCW
- 19"w x 18"d x 43"h

- **Hayworth High Back Side Chair**
- #HHHSCW
- 19"w x 18"d x 49"h



Shown in Quartersawn Oak with #30 Asbury

# HEARTLAND *Collection*



**Ellington Side Chair**  
 18 1/2" w x 17" d x 41" h  
 Wood #ELSCW  
 Fabric #ELSCF  
 Leather #ELSCL

**Ellington Arm Chair**  
 26 1/2" w x 17" d x 41" h  
 Wood #ELACW  
 Fabric #ELACF  
 Leather #ELACL



**Goshen Buffet**  
 #GNBF60  
 60" w x 20" d x 40" h

- COLLECTION FEATURES**
- Constructed with solid hardwoods
  - 1" thick tops
  - Mission edge is standard
- Table Features**
- Base splits to accommodate longer length tops and leaves

- Buffet Features**
- Soft-closing, full extension, undermount drawer slides
  - Dovetailed, solid wood drawers
  - Textured glass in doors
  - 1" thick, solid hardwood shelves
  - Inset doors and drawers
  - Soft-close doors

54" x 54" x 1" Round top (5454TR) with Heartland single pedestal (HDTB) and a Mission edge profile (EM)



**Heartland Table**  
 Table-HDTB 5454 TR EM

Base will accommodate tops in sizes 48"x48"-72"x72". Max top size 192" with leaves installed.

- Popular Sizes:**
- HDTB4848 48"
  - HDTB5454 54"
  - Choice of 12" or 16" Leaf
  - 36" round tables are not available with BBS slide upgrade



Table splits in center to accommodate up to 192" in length

# HEFLIN *Collection*

## COLLECTION FEATURES

### Table Features

- 2-18" leaves
- Metal turnbuckle detail
- Breadboard ends on table
- Smooth top

Designed to appeal to those who appreciate the quality of bench built solid wood furniture married with the authenticity of rustic industrial components, the Heflin Dining Collection epitomizes the modern-meets-vintage vibe. Eye-catching metal details indicative of turn-of-the-century hardware link the generous tabletop and server to hefty legs all hewn from American-grown Brown Maple. Shown here in an Asbury finish with light distressing, the substantial table expands with two 18-inch leaves tucked in the breadboard ends. Now, settle into the chairs with comfortable lumbar curves and comfort seat and admire Heflin's hand-worn edges and mortise-tenon style joinery.

• • • **Heflin Side Chair**  
#54-9069SCW

• • • **Heflin Arm Chair**  
#54-9069ACW



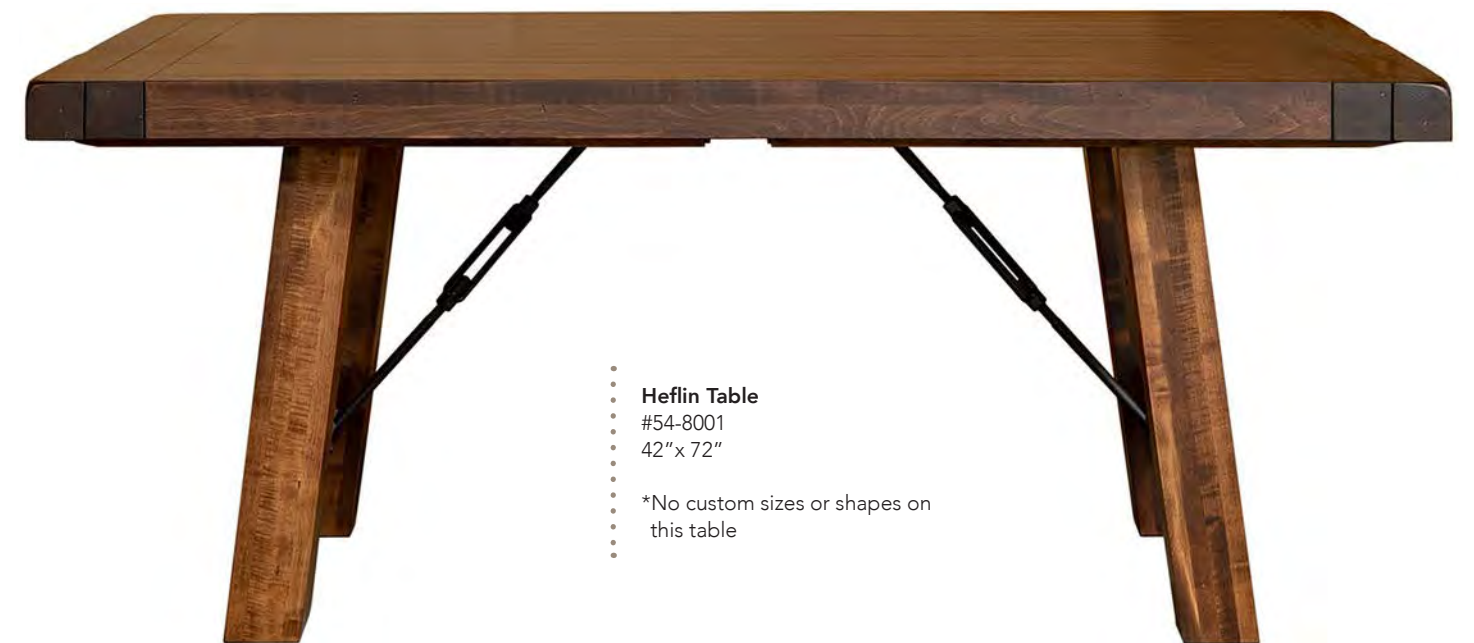
• • • **Heflin Server**  
#54-1101  
• 61 1/4" w x 19 1/4" d x 34 3/4" h



• • • **Heflin Solid Top Bench**

- **Popular Sizes:**
- #54-36BEN 36"
  - #54-48BEN 48"
  - #54-60BEN 60"
  - #54-72BEN 72"

• • • **Heflin Expanda Bench**  
#54-1401EXB



• • • **Heflin Table**  
#54-8001  
• 42" x 72"

• • • \*No custom sizes or shapes on  
• • • this table



Shown in Brown Maple with #30 Asbury finish

# HENNING *Collection*

## COLLECTION FEATURES

- Constructed with solid wood
- Table features oval shaped top

## COLLECTION OPTIONS

### Table Options

- See page 262 for customization and self storing information

Henning Side Chair  
#HGSCW  
18 1/2" w x 17 1/2" d x 32" h



Henning Bench  
#HGBEN54  
16" w x 54" d x 18" h



Shown in Brown Maple with #90 Chocolate Finish

Henning Table  
Table-HGTB 4254 TR EM

Base will accommodate tops in sizes 42" x 42" - 60" x 60". Max top size 66" with leaves installed.

### Popular Sizes:

- #HGTB4254 42" x 54"
- #HGTB4854 48" x 60"

Choice of 12" or 16" leaf  
36" round tables are not available with BBS slide upgrade

42" x 54" x 1" Round top (4254TR) with Henning single pedestal (HGTB) and a Mission edge profile (EM)



# HEYERLY *Collection*

## COLLECTION FEATURES

- Available in sizes: 42" x 72" and 48" x 72"
- Can self store up to 2 leaves with skirt and 2 leaves without on 42" x 72" (Can only store 4 leaves without skirt on 48" x 72")
- Mission top is standard
- Underbevel edge is standard
- Standard top thickness is 1"

**SUGGESTED CHAIR**  
**Arabella Side Chair**  
 #ARSCF  
 18 3/4"w x 17"d x 35 1/4"h



**Heyerly Table**  
 #HYTB 4272 TM EU

Max top size 120" with leaves installed.

**Popular Sizes:**  
 #HYTB4272 42" x 72"  
 #HYTB4872 48" x 72"

Shown in Rustic Cherry with #68 Hazelnut finish

# INFINITY *Collection*

## COLLECTION FEATURES

- Constructed with solid hardwoods
- 1" thick tops



**Infinity Table**  
 Table-#IYTB 4242 TR EO

Base will accommodate tops in sizes 36"x36"-60"x60". Max top size 66" with leaves installed.

**Popular Sizes:**  
 #IYTB4242 42"  
 #IYTB4848 48"  
 #IYTB5454 54"

Choice of 12" or 16" leaf or 18" butterfly leaf  
 36" round tables are not available with BBS slide upgrade

42" x 42" x 1" Round top (4242TR) with Infinity single pedestal (IYTB) and an Ogee edge profile (EO)

**Infinity Chair**  
 #IYSCF  
 16 1/2"w x 16"d x 33 3/4"h



Shown in Maple with #33 Black Paint

# KALISPEL *Collection*

## COLLECTION FEATURES

- Mission edge is standard
- 42" wide table can self-store up to 4 leaves, all without skirt
- 48" wide table can self-store up to 4 leaves, all without skirt

**Elara Side Chair**  
18 1/2" w x 16 3/4" d x 38" h  
Fabric #EASC  
Leather #EASCL



**Kalspel Bench**  
#KLTB 4272 TM EM

- #KLBEN36 36"
- #KLBEN48 48"
- #KLBEN60 60"
- #KLBEN72 72"

**Kalspel Expanda Bench**  
#KLEXB



**Kalspel Table**  
#KLTB 4272 TM EM

Max top size 120" with leaves installed.

- Popular Sizes:**
- #KLTB4272 42" x 72"
  - #KLTB4872 48" x 72"

Shown in Rustic Cherry with #103 Dew finish.

# LAGRANGE *Collection*

## COLLECTION FEATURES

- Constructed with solid hardwoods
- 1" thick tops

## Hutch & Buffet Features

- Soft-closing, full extension, undermount drawer slides
- Solid wood dovetailed drawers
- Recessed touch lighting
- 2 adjustable glass shelves with plate grooves
- Soft-close doors

**Tuscana Buffet**  
#TABFB  
60" w x 20" d x 40" h



**Tuscana Expanda Bench**  
#TLEXB  
13" w x 18" d x 48" h

## LaGrange Table

Table-#LETB 4272 TR ER

Base will accommodate tops in sizes 36" x 60" - 72" x 72". Max top size 120" with leaves installed.

## Popular Sizes:

- #LETB4260 42" x 60"
- #LETB4266 42" x 66"
- #LETB4272 42" x 72"
- #LETB4860 48" x 60"
- #LETB4866 48" x 66"
- #LETB4872 48" x 72"

Choice of 12" or 16" Leaf



42" x 72" x 1" Oval top (4272TR) with Lagrange Double pedestal (LETB) and a Roundover edge profile (ER)

# LAGRANGE *Collection*

CONTINUED...



• **Angola Side Chair**  
• #ALSCW  
• 19"w x 16 1/2"d x 40"h



• **Tuscana Hutch**  
• #TABFT50  
• 64"w x 20"d x 41"h



• **Angola Arm Chair**  
• #ALACW  
• 25"w x 16 1/2"d x 40"h

# MADRID & MADRID PUB *Collection*

## COLLECTION FEATURES

### Table Features

- Available in 38", 44", or 50" Round
- Round top is standard with flush 2" skirt
- Mission edge is standard
- Standard top thickness is 1"
- No custom sizes or shapes due to flush skirt

### Pub Features

- Available in 42" and 48" round solid top
- Standard with round top without skirt
- Underbevel edge is standard
- Standard top thickness is 1"
- Standard height is 36"
- 42" high is not available



• **Madrid Side Chair**  
• #MDSCF- Fabric  
• #MDSCL- Leather



Shown in Brown Maple with #30 Asbury finish

# MADRID & MADRID PUB Collection

CONTINUED...



**Madrid Table**  
#MDTBM 44 TR EM

Max top size 66" with  
leaves installed.

**Popular Sizes:**  
#MDTBM38 38"  
#MDTBM44 44"  
#MDTBM50 50"  
38" round tables are not  
available with BBS slide upgrade

**Madrid Pub Table**  
#MDTBM 42TLC TR EM

Solid Top Only

**Popular Sizes:**  
#MDTBM42TLC 42"  
#MDTBM48TLC 48"



# MIRA Collection

**COLLECTION FEATURES**

- Mission regular top with 1" radius corners is standard
- Thumbnail edge profile is standard



**SUGGESTED CHAIR**  
**Caspian Side Chair**  
#CPSCL  
19"w x 17"d x 39"h



**SUGGESTED CHAIR**  
**Caspian Arm Chair**  
#CPACL  
24"w x 17"d x 39"h



**Mira Table**  
#MATB 4260 TM ET

Max top size 120" with leaves  
installed.

**Popular Sizes:**  
#MATB3654 36"x 54"  
#MATB3660 36"x 60"  
#MATB4260 42"x 60"  
#MATB4266 42"x 66"  
#MATB4272 42"x 72"  
#MATB4872 48"x 72"

Shown in Oak with  
#115 Harbor Gray finish.

# MONTERAY *Collection*

## COLLECTION FEATURES

### Table Features

- Available in 48" and 54" round and up to 8-18" leaves
- 1" top standard
- Mission edge is standard
- Round top is standard

### Storage Cabinet Features

- Available in sizes: 60" or 72" length, 60" stores 36", 42", or 48" long leaves, and 72" stores 54" or 60" long leaves
- 38" standard height
- Standard depth is 20" and will need to add 6" in depth to store 16" wide leaves
- Cabinets can store up to 10 leaves with skirt
- Standard with two adjustable shelves

### SUGGESTED CHAIR

#### Ellington Side Chair

18 1/2" w x 17" d x 41" h  
#ELSCW Wood  
#ELSCF Fabric  
#ELSCL Leather

#### Ellington Arm Chair

(not shown)  
26 1/2" w x 17" d x 41" h  
#ELACW Wood  
#ELACF Fabric  
#ELACL Leather



**Monteray Table**  
#MYTB 4848616 TR EM

Max top size 192" with leaves installed.

**Popular Sizes:**  
#MYTB4848 48"  
#MYTB5454 54"

Shown in Quartersawn Oak with #32 Michaels finish.



**Monteray Leaf Storage Cabinet**

60" w x 20" d x 38" h  
#MYBF60 60"

72" w x 20" d x 38" h  
#MYBF72 72"

Shown in Quartersawn Oak with #32 Michaels finish



Shown open with 6 leaves installed.

# OLD MISSION *Collection*

## COLLECTION FEATURES

– Constructed with solid hardwoods

### Hutch Features

- Soft-closing undermount drawer guide
- Soft-closing doors
- Dovetailed solid wood drawers

### Old Mission Side Chair

#OMSCW  
18" w x 17" d x 38" h

### Old Mission Arm Chair

#OMACW  
25" w x 18" d x 38" h



### Old Mission Pie Safe

#OMBF35  
35 1/4" w x 17 1/2" d x 46 3/4" h



Shown in Oak with #32 Michaels



42" x 42" x 1" Round top (4242TR) with Old Mission single pedestal (OMTB) and a Mission edge profile (EM)

### Old Mission Table

Table-#OMTB 4242 TR EM

Base will accommodate tops in sizes 36" x 36" - 72" x 72". Max top size 72" with leaves installed.

### Popular Sizes:

- #OMTB4242 42"
- #OMTB4848 48"
- #OMTB5454 54"
- #OMTB6060 60"

Choice of 12" or 16" leaf or 18" butterfly leaf  
36" round tables are not available with BBS slide upgrade

# SALEM *Collection*

## COLLECTION FEATURES

- Round top is standard
- Mission edge is standard
- 1 3/8" smooth top is standard



**SUGGESTED CHAIR**  
**Richfield Side Chair**  
 NC-9036SCW  
 19 1/2" w x 17 1/2" d x 41" h

**Richfield Arm Chair**  
 (not shown)  
 NC-9036ACW  
 26" w x 17 1/2" d x 41" h



**Salem Table**  
 #SLTBT 13842 TR EM

Max top size 72" with leaves installed.

**Popular Sizes:**  
 #SLTBT13842 42"  
 #SLTBT13848 48"  
 #SLTBT13854 54"  
 #SLTBT13860 60"

Shown in Brown Maple with #30 Asbury finish.  
 36" round tables are not available with BBS slide upgrade

# SHERIDON *Collection*

## COLLECTION FEATURES

- Bevel edge standard
- 42" wide table can self-store up to 4 leaves, 2 with skirt and 2 without
- 48" wide table can self-store up to 4 leaves, all without skirt

**Conner Side Chair**  
 19" w x 17" d x 41" h  
 #CRSCW Wood  
 #CRSCF Fabric  
 #CRSCL Leather

**Conner Arm Chair**  
 (not shown)  
 25" w x 17" d x 41" h  
 #CRACW Wood  
 #CRACF Fabric  
 #CRACL Leather



**Sheridon Table**  
 #SNTB 4272 TM EB

Max top size 120" with leaves installed.

**Popular Sizes:**  
 #SNTB4260 42" x 60"  
 #SNTB4266 42" x 66"  
 #SNTB4272 42" x 72"  
 #SNTB4872 48" x 72"

Shown in Cherry wood with #52 Chilton finish.



# SIMPLICITY *Collection*

## COLLECTION FEATURES

- Soft close slides
- Natural poplar drawer box with English Dovetail
- All wood species include Walnut accents

**Simplicity Side Chair (with Inlays)**  
#51-9065SCW

**Simplicity Side Chair (without Inlays, not shown)**  
#51-9065SCWNI

**Simplicity Arm Chair (with Inlays, not shown)**  
#51-9065ACW

**Simplicity Arm Chair (without Inlays, not shown)**  
#51-9065AWN



*Drawing from the streamlined looks and clean lines of mid-century modern design and pared-down aesthetic of Scandinavian spaces, the Simplicity Collection is a contemporary interpretation of Shaker style re-imagined for today's more modern tastes. Smaller-scaled with an emphasis on flexibility, the collection is marked by angular posts and pilasters and functional open shelving that offers the fresh and airy feeling indicative of these serene, light-filled styles. Finished in a mellow Brown Maple stain coupled with tapered walnut bases, legs and contrasting walnut accents, these multi-functional dining room pieces easily move from one room to another depending on decorating needs.*



Shown in Brown Maple with #99 Toffee.

**Simplicity Solid Top Bench**  
#51-36BEN

**Popular Sizes:**  
#51-36BEN 36"  
#51-48BEN 48"  
#51-60BEN 60"  
#51-72BEN 72"

**Simplicity Expandable Bench**  
#51-1401EXB



**Simplicity Round**  
#51-8001 4242 TR EM

Max top size 66" with leaves installed.

**Popular Sizes:**  
#51-80013636 36"  
#51-80014242 42"  
#51-80014848 48"

Top features 4 **Bowtie Inlays** located at outside centers of table.  
36" round tables are not available with BBS slide upgrade



**Bowtie Inlays** featured on table



**Simplicity Trestle**  
#51-8003 4272 TM EM

Max top size 120" with leaves installed.

**Popular Sizes:**  
#51-80034272 42"x 72"  
#51-80034872 48"x 72"

Top features **Bowtie Inlays** in each corner.

# SIMPLICITY *Collection*

CONTINUED...



- **Simplicity Curio Cabinet**
- #51-1001
- 38" w x 15" d x 60" h
- – Features Walnut base



- **Simplicity Server**
- #51-1101
- 56" w x 19" d x 36" h
- – Features Walnut base

# SOMA *Collection*

## COLLECTION FEATURES

– Constructed with solid wood

## COLLECTION OPTIONS

### Table Options

– See page 262 for customization information

### Hutch & Buffet Features

– Soft-close doors  
– 2 adjustable shelves behind each set of doors

### Hutch & Buffet Options

– See hardware page in Features and Options section



- **Soma Bench**
- 15" d x 24 1/2" h
- 36" #SMBEN36
- 48" #SMBEN48
- 60" #SMBEN60
- 72" #SMBEN72



# SOMA *Collection*

CONTINUED...



**Soma Slat Side Chair**  
19.25"w x 17 1/4"d x 36"h  
#SMSSC Wood  
#SMSSCF Fabric  
#SMSSCL Leather



Back of **Soma Upholstered Side Chair**



**Soma Side Chair**  
18 1/4"w x 22"d x 38"h  
#SMSC Fabric  
#SMSCL Leather



**Soma Slat Arm Chair**  
25"w x 17 1/4"d x 36"h  
#SMSAC Wood  
#SMSACF Fabric  
#SMSACL Leather

**Soma Arm Chair**  
22"w x 22"d x 38"h  
#SMAC Fabric  
#SMACL Leather



**Soma Buffet**  
#SMBF60  
60"w x 18"d x 36"h

**Soma Pedestal Table**  
Complete Table-#SMPB 5454T138 NA TR EM 05 103

Base will accommodate tops in sizes 36"x36"-72"x72". Max top size 72" with leaves installed. 36" & 42" Round Table top will have smaller pedestal base. 36" round tables are not available with BBS slide upgrade

**Popular Sizes:**  
#SMPB4242T138 42"  
#SMPB4848T138 48"  
#SMPB5454T138 54"  
#SMPB6060T138 60"  
#SMPB7272T138 72" Solid Top Only  
Choice of 12" or 16" Leaf

54"x54"x1 3/8" Round top without skirt (5454T138NATR) on the Soma Pedestal (SMPB) base and a Mission Edge profile (EM) in Rustic Cherry (05) wood with (103) Dew finish.



**Soma Leg Table**  
Complete Table-  
#SMLB4284TMEM 0653  
Base will accommodate tops in sizes 36"x36"-72"x72". Max top size 216" with leaves installed.  
**Popular Sizes:**  
#SMLB3648 36"x48"  
#SMLB3654 36"x54"  
#SMLB3660 36"x60"  
#SMLB4260 42"x60"  
#SMLB4266 42"x66"  
#SMLB4272 42"x72"  
#SMLB4284 42"x84" Solid Top Only  
#SMLB4860 48"x60"  
#SMLB4866 48"x66"  
#SMLB4872 48"x72"  
Choice of 12" or 16" leaf or 18" butterfly leaf



42"x72"x1 3/8" Mission top without skirt (4272T138NATM) on the Soma Double Pedestal (SMDPB) base and a Mission Edge profile (EM) in Rustic Cherry (05) with (103) Dew finish.

**Soma Double Pedestal Table**  
Complete Table-#SMDPB 4272 T138NA TM EM 05 103  
Base will accommodate tops in sizes 36"x60"-72"x72". Max top size 120" with leaves installed.

**Popular Sizes:**  
#SMDPB3660T138 36"x60"  
#SMDPB3660T138NA 36"x60" w/o Aprons (ST Only)  
#SMDPB4260T138 42"x60"  
#SMDPB4260T138NA 42"x60" w/o Aprons (ST Only)  
#SMDPB4266T138 42"x66"  
#SMDPB4266T138NA 42"x66" w/o Aprons (ST Only)  
#SMDPB4272T138 42"x72"  
#SMDPB4272T138NA 42"x72" w/o Aprons (ST Only)  
#SMDPB4284T138NA 42"x84" w/o Aprons (ST Only)  
#SMDPB4296T138NA 42"x96" w/o Aprons (ST Only)  
#SMDPB4866T138 48"x66"  
#SMDPB4866T138NA 48"x66" w/o Aprons (ST Only)  
#SMDPB4872T138 48"x72"  
#SMDPB4872T138NA 48"x72" w/o Aprons (ST Only)  
Choice of 12" or 16" leaf

# TOPEKA *Collection*



• • • **Tuscana Open Buffet**  
• #TAOBF  
• 60" w x 20" d x 40"



Optional **Claw Feet** (#LG2)



• • • **Topeka Table**  
• Table-TATB 4242 TR ER  
• Base will accommodate tops in sizes 36"x36"-  
• 60"x60". Max top size 66" with leaves installed.  
• **Popular Sizes:**  
• #TATB3636 36"  
• #TATB4242 42"  
• #TATB4848 48"  
• #TATB5454 54"  
• #TATB6060 60"  
• Choice of 12" or 16" leaf or 18" butterfly leaf

42" x 42" x 1" Round top (4242TR) with  
Topeka single pedestal (TATB) and a  
Roundover edge profile (ER)

- COLLECTION FEATURES**
- Constructed with solid hardwoods
- Buffet Features**
- Soft-closing, full extension, undermount drawer slides
  - Dovetailed, solid wood drawers
  - Soft-close doors

• • • **Angola Desk Chair (Side)**  
• #ALSCWSL  
• 19" w x 16 1/2" d x 40" h



Shown in Oak with #33 Medium

# VIENNA *Collection*

## COLLECTION FEATURES

### Trestle Table Features

- Planked top is standard
- Standard Mission edge
- Available in 42" x 72" or 48" x 72"

### Round Table Features

- Round top is standard
- Standard with 1 3/8" thick smooth top
- Mission edge is standard

### Simplicity Side Chair (with Inlays)

#51-9065SCW

### Simplicity Side Chair (without Inlays, not shown)

#51-9065SCWNI

### Simplicity Arm Chair (with Inlays, not shown)

#51-9065ACW

### Simplicity Arm Chair (without Inlays, not shown)

#51-9065AWNI



### Vienna Bench

- #VABEN36 36"
- #VABEN48 48"
- #VABEN60 60"
- #VABEN72 72"

### Vienna Expandable Bench

#VAEXB



### Vienna Round Table

#VASTBT1384848

Max top size 72" with leaves installed.

### Popular Sizes:

- #VASTBT1384242 42"
- #VASTBT1384848 48"
- #VASTBT1385454 54"
- #VASTBT1386060 60"

Shown in Brown Maple with #32 Michaels finish.



### Vienna Trestle Table

#VATB4272P1TMEM

Max top size 120" with leaves installed.

### Popular Sizes:

- #VATB4272P1 42" x 72"
- #VATB4872P1 48" x 72"

Shown in Brown Maple with #32 Michaels finish.

# WASILLA *Collection*

## COLLECTION FEATURES

- Mission edge standard

### Kendall Side Chair

- 19" w x 17" d x 42" h
- #KLSCW Wood
- #KLSCF Fabric
- #KLSCL Leather

### Kendall Arm Chair

- 25" w x 17" d x 42" h
- #KLACW Wood
- #KLACF Fabric
- #KLACL Leather



### Wasilla Bench

- #WABEN36 36"
- #WABEN48 48"
- #WABEN60 60"
- #WABEN72 72"

### Wasilla Expandable Bench

#WAEXB



### Wasilla Table

#WATB4272TMEM

Max top size 120" with leaves installed.

- #WATB4260 42" x 60"
- #WATB4266 42" x 66"
- #WATB4272 42" x 72"
- #WATB4284 42" x 84"

Shown in Red Oak with #100 Pebble finish.

# WELLINGTON *Collection*



54" x 54" x 1 3/8" Planked Round top (5454P1TR) with Wellington single pedestal (WNTB) and a Mission edge profile (EM)

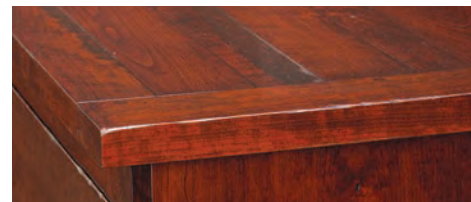
**Wellington Table**  
Table-#WNTB 5454 TR EM

Base will accommodate tops in sizes 36"x36"-72"x72". Max top size 72" with leaves installed. 36" round tables are not available with BBS slide upgrade 16" leaf

**Popular Sizes:**  
#WTTB4272P1 42"x72"  
#WTTB4872P1 48"x72"

**Wellington Hutch**  
#WNBFT  
48"w x 20"d x 22"h

**Wellington Buffet**  
#WNBFB  
48"w x 20"d x 44"h



Plank-style tops are standard



**Wellington Trestle Table**  
Table-#WTTB 4272P1 TM EM

Base will accommodate tops in sizes 36"x60"-72"x72". Max top size 120" with leaves installed.

**Popular Sizes:**  
#WTTB4272P1 42"x72"  
#WTTB4872P1 48"x72"  
16" leaf

42" x 72" x 1 3/8" Planked mission top (4272P1TM) with Wellington Double pedestal (WTTB) and a Mission edge profile (EM)

## COLLECTION FEATURES

- Constructed with solid hardwoods
- Plank-style top with saw marks

### Table Features

- Top features 13/8" Thick, plank style top

### Hutch & Buffet Features

- Soft-closing, full extension, undermount drawer slides
- Dovetailed, solid wood drawers
- 1" thick top
- 1 adjustable hardwood shelf
- Inset doors and drawers
- Recessed, touch lighting
- Raised panel doors

**Americana Chair**  
#AASCW  
19"w x 17 1/2"d x 38"h



See Features & Options section for expectations and details on plank tops.



Shown in Brown Maple with #47 Amber

# WOODBIDGE *Collection*

## COLLECTION FEATURES

- Constructed with solid hardwoods
- 1" thick tops

## Table Features

- Base splits to accommodate longer length tops and leaves



Table Expansion allows up to 12 leaves



**Ellington Side Chair** . . .  
 18 1/2" w x 17" d x 41" h . . .  
 Wood #ELSCW . . .  
 Fabric #ELSCF . . .  
 Leather #ELSCL . . .

**Ellington Arm Chair** . . .  
 26 1/2" w x 17" d x 41" h . . .  
 Wood #ELACW . . .  
 Fabric #ELACF . . .  
 Leather #ELACL . . .



42" x 42" x 1" Round top (4242TR) with  
 Woodbridge Single pedestal (WETB) and  
 a Roundover edge profile (ER)

**Woodbridge Table** . . .  
 Table-#WETB 4242 TR ER . . .  
 . . .  
 . . . Base will accommodate tops in sizes  
 48" x 48"-72" x 72" . . .  
 . . . Max top size 192" with leaves installed.  
 . . .  
**Popular Sizes:** . . .  
 #WETB4242 42" . . .  
 #WETB4848 48" . . .  
 . . . Choice of 12" or 16" leaf  
 . . . 36" round tables are not  
 available with BBS slide upgrade

# WOODLAND *Collection*

## COLLECTION FEATURES

### Table Features

- Base features iron bolt detail. Top features saw marks and 1-18" butterfly leaf at each end of table

### Hutch & Buffet Features

- Saw-Cut Top
- Soft Close Doors & Drawers
- Light Blocking Trim In Doors
- Two Adjustable Glass Shelves
- Multi-setting Touch Lights

## COLLECTION OPTIONS

### Table Options

- See page 262 for customization information

### Buffet Options

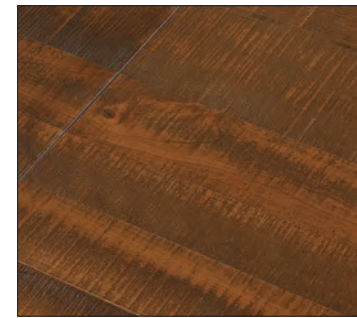
- Hardware (See Hardware Page)



• • •  
• **Americana**  
• **Side Chair**  
• #AASCW  
• 19" w x 17 1/2" d x 38" h



• • •  
• **Americana**  
• **Arm Chair**  
• #AAACW  
• 25" w x 17 1/2" d x 38" h



• Table & Bench tops feature saw marks



• • •  
• **Woodland Bench**  
• #WOBN72  
• 72" w x 13" d x 18" h



• • •  
• **Woodland Table**  
• #WOTB 4272W TM EM

### Popular Sizes:

- #WOTB4272WTM 42" x 72"
- #WOTB4872WTM 48" x 72"

• Only available with 1-16" leaf on each end



• 42" x 72" x 1" Woodland Mission top (4272WTM) with Woodland Double pedestal (WOTB) and a Mission edge profile (EM)



• Shown In Rustic Cherry  
• With #74 Rustic Bourbon Distressed Finish



• • •  
• **Woodland High Buffet**  
• #WOHBL  
• 60" w x 20" d x 50" h

# XANDER *Collection*

## COLLECTION FEATURES

– Constructed with solid hardwoods



Beautiful live edge



Top shown in Brown Maple with #65 Chocolate Base Shown in Brown Maple with #44 Black



**Xander Arm Chair**  
#XRACW  
25 3/4" w x 17 1/4" d x 42 1/4" h



**Xander Side Chair**  
#XRSCW  
19" w x 17 1/4" d x 42 1/4" h



**Xander Table**  
Table-#XRTB 4296LE TM

Base will accommodate tops in sizes 36" x 60" - 72" x 72". Max top size 120" with leaves installed.

**Popular Sizes:**

- #XRTB4272LE 42" x 72" Solid Top Only
- #XRTB4284LE 42" x 84" Solid Top Only
- #XRTB4296LE 42" x 96" Solid Top Only
- #XRTB4872LE 48" x 72" Solid Top Only
- #XRTB4884LE 48" x 84" Solid Top Only
- #XRTB4896LE 48" x 96" Solid Top Only

42" x 96" x 1 3/8" Live Edge mission shape top (4296LE TM) with Xander double pedestal (XRTB) and a live edge profile

# ZIGLAR *Collection*

## COLLECTION FEATURES

- Available in 48", 54", and 60" diameter
- 72" round solid top available no leaves
- Standard top thickness is 1 3/8"
- Standard edge profile is 3/4" roundover
- Standard shape is round



.....  
**SUGGESTED CHAIR**  
**Richfield Side Chair**  
 #NC-9036SCW  
 .....  
 19 1/2"w x 17 1/2"d x 41"h



.....  
**SUGGESTED CHAIR**  
**Asher Side Chair**  
 19 1/4"w x 17 1/4"d x 41"h  
 #AASCW Wood  
 #AASCF Fabric  
 #AASCL Leather  
 .....



.....  
**Ziglar Split Pedestal Table**  
 #ZRSTB 4848 T1387 TR ER  
 .....  
**Popular Sizes:**  
 #ZRSTBT1384242 42"  
 Max top size 126" with leaves.  
 .....  
 #ZRSTBT1384848 48"  
 Max top size 192" with leaves.



Shown in Brown Maple with #30 Asbury finish



.....  
**Ziglar Table**  
 #ZRTB 5454 T138 TR ER  
 .....  
 Max top size 72" with  
 leaves installed.  
 .....  
**Popular Sizes:**  
 #ZRTBT1384242 42"  
 #ZRTBT1384848 48"  
 #ZRTBT1385454 54"  
 #ZRTBT1386060 60"  
 .....  
 36" round tables are not  
 available with BBS slide upgrade

# ZURICH *Collection*

## COLLECTION FEATURES

- Max top size 72" with leaves installed
- 1" thick top is standard
- Mission edge is standard

### SUGGESTED CHAIR

Heflin Side Chair  
#54-9069SCW

Heflin Arm Chair  
(not shown)  
#54-9069ACW



**Zurich Table**  
#ZHTB 4848 TR EM

Max top size 72" with leaves installed.

### Popular Sizes:

#ZHTB4242 42"  
#ZHTB4848 48"  
#ZHTB5454 54"

Shown in Red Oak with #100 Pebble finish  
36" round tables are not available with BBS slide upgrade

# DINING *Accessories*

## LAZY SUSAN

### COLLECTION FEATURES

- 1" thick solid wood top
- Ball bearing swivel

*A rotating tray to place on a table or countertop to help organize your kitchen or dining room.*



30" Lazy Susan  
#LS30  
30" Round

24" Lazy Susan  
#LS24  
24" Round

Shown in Brown Maple with #30 Asbury finish





# SEATING OPTIONS

Have a seat, sit a spell, chat, relax, reminisce. Share stories of the past. Celebrate the present. Dream of a bright future. Seating by Fusion Designs will be there through it all, from generation to generation, providing comfort, durability, and lasting impressions.

**MEMORIES  
BUILT TO LAST  
AND SHARE.**

# CHAIRS



**Americana Chair**

**Side Chair**  
19"w x 17 1/2"d x 38"h  
– Wood #AASCW  
– Fabric #AASCF  
– Leather #AASCL

**Arm Chair**  
25"w x 17 1/2"d x 38"h  
– Wood #AAACW  
– Fabric #AAACF  
– Leather #AAACL

**Desk Chair**  
25 1/2"w x 17 1/2"d x 38"h



**Angola Chair**

**Side Chair**  
19"w x 16 1/2"d x 40"h  
– Wood #ALSCW

**Arm Chair**  
25"w x 16 1/2"d x 40"h  
– Wood #ALACW

**Desk Chair**  
25"w x 16 1/2"d x 40"h

Not available in two tone finish



**Arabella Chair**

**Side Chair**  
18 3/4"w x 17"d x 32 1/4"h  
– Wood #ARSCW  
– Fabric #ARSCF  
– Leather #ARSCL



**Asher Chair**

**Side Chair**  
19 1/4"w x 17 1/4"d x 41"h  
– Wood #ASSCW  
– Fabric #ASSCF  
– Leather #ASSCL

**Arm Chair**  
23 1/2"w x 17 1/4"d x 41"h  
– Wood #ASACW  
– Fabric #ASACF  
– Leather #ASACL



**Bridgeport Chair**

**Side Chair**  
17"w x 16 1/2"d x 37 1/2"h  
– Wood #BTSCW

Not available in two tone finish



**Bunkhouse Chair**

**Arm Chair**  
22 1/2"w x 16 1/2"d x 30 1/4"h  
– Wood: #BKACW  
– Fabric #BKACF  
– Leather #BKACL

**Desk Chair**  
22 1/2"w x 16 1/2"d x 30 1/4"h  
– Wood # BKACDW  
– Fabric #BKACDF  
– Leather #BKACDL

Not available in two tone finish



**Castlebrook Chair**

**Side Chair**  
18 1/2"w x 18"d x 42"h  
– Wood #CASCW  
– Fabric #CASCF  
– Leather #CASCL

**Arm Chair**  
23 1/2"w x 18"d x 42"h  
– Wood #CAACW  
– Fabric #CAACF  
– Leather #CAACL

\*Inlays on the Castlebrook Chair are standard



**Caspian Chair**

**Side Chair**  
19"w x 17"d x 39"h  
– Fabric #CPSCF  
– Leather #CPSCL

**Arm Chair**  
24"w x 17"d x 39"h  
– Fabric #CPACF  
– Leather #CPACL



**Bartlett Chair**

**Side Chair**  
19 1/4"w x 17"d x 38 1/4"h  
– Wood #BRSCW  
– Fabric #BRSCF  
– Leather #BRSCL

**Arm Chair**  
24"w x 17"d x 38 1/4"h  
– Wood #BRACW  
– Fabric #BRACF  
– Leather #BRACL



**Beacon Hill Chair**

**Side Chair**  
18 1/2"w x 16 1/2"d x 38"h  
– Fabric #BHSC  
– Leather #BHSC

**Arm Chair**  
25 1/2"w x 16 1/2"d x 38"h  
– Fabric #BHAC  
– Leather #BHACL



Add to item number the following trim options:  
(#F) French Natural  
(#P) Pewter Nickel  
(#Z) Z Finish  
(standard if not specified)



**Beacon Hill Slat Chair**

**Side Chair**  
19"w x 16 1/2"d x 37 1/2"h  
– Wood: #BHSSC  
– Fabric #BHSSCF  
– Leather #BHSSCL

**Arm Chair**  
19"w x 16 1/2"d x 37 1/2"h  
– Wood #BHSAC  
– Fabric #BHSACF  
– Leather #BHSACL



**Celina Chair**

**Side Chair**  
19"w x 17"d x 39"h  
– Fabric #CLSCF  
– Leather #CLSCL

**Arm Chair**  
20"w x 17"d x 39"h  
– Fabric #CLACF  
– Leather #CLACL



**Classic Chair**

**Side Chair**  
18"w x 17 3/4"d x 42"h  
– Wood #CCSCW  
– Fabric #CCSCF  
– Leather #CCSCL

**Arm Chair**  
25 1/2"w x 17 3/4"d x 42"h  
– Wood #CCACW  
– Fabric #CCACF  
– Leather #CCACL

**Desk Chair**  
25 1/2"w x 17 3/4"d x 42"h



**Conner Chair**

**Side Chair**  
19"w x 17"d x 41"h  
– Wood #CRSCW  
– Fabric #CRSCF  
– Leather #CRSCL

**Arm Chair**  
25"w x 17"d x 41"h  
– Wood #CRACW  
– Fabric #CRACF  
– Leather #CRACL



**Cranbrook Chair**

**Side Chair**  
18 1/2"w x 17"d x 39"h  
– Wood #CKSCW  
– Fabric #CKSCF  
– Leather #CKSCL

**Arm Chair**  
25 1/2"w x 17"d x 39"h  
– Wood #CKACW  
– Fabric #CKACF  
– Leather #CKACL

"STOCK ITEMS READY FOR IMMEDIATE SHIPPING"

# CHAIRS



"STOCK ITEMS READY FOR IMMEDIATE SHIPPING"

## Durham Chair

**Side Chair**  
17 3/8" w x 17" d x 37 1/4" h  
– Wood #DMSCW  
– Fabric #DMSCF  
– Leather #DMSCL

**Arm Chair**  
23 3/8" w x 17" d x 37 1/4" h  
– Wood #DMACW  
– Fabric #DMACF  
– Leather #DMACL



"STOCK ITEMS READY FOR IMMEDIATE SHIPPING"

## Edmonton Chair

**Side Chair**  
18" w x 17" d x 38" h  
– Wood #ENSCW

**Arm Chair**  
22 1/2" w x 17" d x 38" h  
– Wood #ENACW

Not available in two tone finish



## Elara Chair

**Side Chair**  
18 1/2" w x 16 3/4" d x 38" h  
– Fabric #EASC  
– Leather #EASCL



## Ellington Chair

**Side Chair**  
18 1/2" w x 17" d x 41" h  
– Wood #ELSCW  
– Fabric #ELSCF  
– Leather #ELSCL

**Arm Chair**  
26 1/2" w x 17" d x 41" h  
– Wood #ELACW  
– Fabric #ELACF  
– Leather #ELACL



## Heflin Chair

**Side Chair**  
19" w x 18 1/4" d x 39 3/4" h  
– Wood #54-9069SCW  
– Fabric #54-9069SCF  
– Leather #5409069SCL

**Arm Chair**  
– Wood #54-9069ACW  
– Fabric #54-9069ACF  
– Leather #54-9069ACL



## Henning Chair

**Side Chair**  
18 1/2" w x 17 1/2" d x 32" h  
– Wood #HGSCW  
– Fabric #HGSCF  
– Leather #HGSCCL



## Infinity Chair

**Side Chair**  
16 1/2" w x 16" d x 33 3/4" h  
– Wood #IYSCW  
– Fabric #IYSCF  
– Leather #IYSCCL



## Jameson Chair

**Side Chair**  
17" w x 16 3/4" d x 39 1/2" h  
– Wood Seat #JNSCW  
– Fabric Seat #JNSCF  
– Leather Seat #JNSCL



## Gibson Chair

**Side Chair**  
19" w x 17 1/2" d x 38" h  
– Wood #GBSCW  
– Fabric #GBSCF  
– Leather #GBSCL

**Arm Chair**  
22" w x 17 1/2" d x 38" h  
– Wood #GBACW  
– Fabric #GBACF  
– Leather #GBACL



## Hatfield Chair

**Side Chair**  
18 1/2" w x 16 1/2" d x 37 1/2" h  
– Wood #HASCW  
– Fabric #HASCF  
– Leather #HASCL

**Arm Chair**  
25" w x 16 1/2" d x 37 1/2" h  
– Wood #HAACW  
– Fabric #HAACF  
– Leather #HAACL



"STOCK ITEMS READY FOR IMMEDIATE SHIPPING"

## Hayworth Chair

**Side Chair**  
18" w x 18" d x 43" h  
– Wood #HHSCW  
– Fabric #HHSCF  
– Leather #HHSCL

**Arm Chair**  
26" w x 18" d x 43" h  
– Wood #HHACW  
– Fabric #HHACF  
– Leather #HHACL



## Hayworth Highback Chair

**Side Chair**  
19" w x 18" d x 49" h  
– Wood #HHHSCW  
– Fabric #HHHSCF  
– Leather #HHHSCL

**Arm Chair**  
26" w x 18" d x 49" h  
– Wood #HHHACW  
– Fabric #HHHACF  
– Leather #HHHACL



## Josser Chair

**Side Chair**  
19 1/2" w x 16" d x 41 1/2" h  
– Wood #JRSCW  
– Fabric #JRSCF  
– Leather #JRSCL

**Arm Chair**  
22" w x 16" d x 41 1/2" h  
– Wood #JRACW  
– Fabric #JRACF  
– Leather #JRACL



## Kare Chair

**Side Chair**  
18 1/2" w x 17" d x 39 1/2" h  
– Fabric #KASCW  
– Leather #KASCL

**Arm Chair**  
19 1/4" w x 17" d x 39 1/2" h  
– Fabric #KAACW  
– Leather #KAACL



"STOCK ITEMS READY FOR IMMEDIATE SHIPPING"

## Kendall Chair

**Side Chair**  
19" w x 17" d x 42" h  
– Wood #KLSCW  
– Fabric #KLSCF  
– Leather #KLSCL

**Arm Chair**  
25" w x 17" d x 42" h  
– Wood #KLACW  
– Fabric #KLACF  
– Leather #KLACL



"STOCK ITEMS READY FOR IMMEDIATE SHIPPING"

## Kennebec Chair

**Side Chair**  
19 1/2" w x 19" d x 42" h  
– Wood #KCSCW  
– Fabric #KCSCF  
– Leather #KCSCL

**Arm Chair**  
25" w x 19" d x 42" h  
– Wood #KCACW  
– Fabric #KCACF  
– Leather #KCACL

**Desk Chair**  
25" w x 19" d x 42" h

# CHAIRS



**Kenton Chair**

**Side Chair**  
19"w x 17 1/2"d x 41 1/4"h  
– Wood #KNCW  
– Fabric #KNSCF  
– Leather #KNSCL

**Arm Chair**  
23 1/2"w x 17 1/2"d x 41 1/4"h  
– Wood #KNACW  
– Fabric #KNACF  
– Leather #KNAFL



**Livonia Desk Chair**

25"w x 20"d x 37"h  
– Fabric #LVACF  
– Leather #LVACL



**Madrid Chair**

**Side Chair**  
19 1/2"w x 18"d x 35"h  
– Fabric #MDSCF  
– Leather #MDSCL



**Morgan Chair**

**Side Chair**  
19 1/4"w x 17"d x 34"h  
– Wood #MNACW  
– Fabric #MNACF  
– Leather #MNSCL

**Arm Chair**  
24 1/2"w x 17"d x 34"h  
– Wood #MNACW  
– Fabric #MNACF  
– Leather #MNAFL



**Simplicity Chair**

**Side Chair (with Inlays)**  
19"w x 24"d x 42"h  
– Wood #51-9065SCW  
– Fabric #51-9065SCF  
– Leather #51-9065SCL

**Side Chair (without Inlays)**  
19"w x 24"d x 42"h  
– Wood #51-9065SCWNI  
– Fabric #51-9065SCFNI  
– Leather #51-9065SCLNI

**Arm Chair (with Inlays)**  
23"w x 24"d x 42"h  
– Wood #51-9065ACW  
– Fabric #51-9065ACF  
– Leather #51-9065ACL

**Arm Chair (without Inlays)**  
23"w x 24"d x 42"h  
– Wood #51-9065ACWNI  
– Fabric #51-9065ACFNI  
– Leather #51-9065ACLNI



**Old Mission Chair**

**Side Chair**  
18"w x 17"d x 38"h  
– Wood #OMSCW  
– Fabric #OMSCF  
– Leather #OMSCL

**Arm Chair**  
25"w x 18"d x 38"h  
– Wood #OMACW  
– Fabric #OMACF  
– Leather #OMACL



**Richfield Chair**

**Side Chair**  
19 1/2"w x 17 1/2"d x 41"h  
– Wood #NC-9036SCW  
– Fabric #NC-9036SCF  
– Leather #NC-9036SCL

**Arm Chair**  
26"w x 17 1/2"d x 41"h  
– Wood #NC-9036ACW  
– Fabric #NC-9036ACF  
– Leather #NC-9036ACL



**Sedona Chair**

**Side Chair**  
19"w x 17"d x 38"h  
– Wood #SASCW  
– Fabric #SASCF  
– Leather #SASCL

**Arm Chair**  
25"w x 18"d x 41"h  
– Wood #SAACW  
– Fabric #SAACF  
– Leather #SAACL

**Desk Chair**  
25"w x 18"d x 41"h



**Soma Chair**

**Side Chair**  
18 1/4"w x 22"d x 38"h  
– Fabric #SMSCW  
– Leather #SMSCL

**Arm Chair**  
22"w x 22"d x 38"h  
– Fabric #SMAC  
– Leather #SMAFL



**Soma Slat Chair**

**Side Chair**  
19.25"w x 17 1/4"d x 36"h  
– Wood #SMSSC  
– Fabric #SMSSCF  
– Leather #SMSSCL

**Arm Chair**  
25"w x 17 1/4"d x 36"h  
– Wood #SMSAC  
– Fabric #SMSACF  
– Leather #SMSACL



**Xander Chair**

**Side Chair**  
19"w x 17 1/4"d x 42 1/4"h  
– Wood #XRSCW  
– Fabric #XRSCF  
– Leather #XRSCCL

**Arm Chair**  
25 3/4"w x 17 1/4"d x 42 1/4"h  
– Wood #XRACW  
– Fabric #XRACF  
– Leather #XRAFL



# CHAIR DIMENSIONS

Style	Side Chair Seating Area W x D	Arm Chair Seating Area W x D	Overall Arm Width	Arm Height	Seat Height	Back Height From Seat	Back Height From Floor
Americana	19 x 17 ½	19 x 17 ½	25	7 ¾	18	20 ¾	38
24" Barstool	19 x 17 ½	-	-	-	24	18 ¾	42
30" Barstool	19 x 17 ½	-	-	-	30	18 ¾	48

Angola	18 x 16 ½	20 x 16 ½	25	8	17 ½	25	40 ½
24" Barstool	18 x 16 ½	-	-	-	24	25	46 ½
30" Barstool	18 x 16 ½	-	-	-	30	25	52 ½

Arabella	18 ¾ x 17	-	-	-	18	18 ½	35 ¼
24" Barstool	18 ¾ x 17	-	-	-	24	18 ½	41 ½
30" Barstool	18 ¾ x 17	-	-	-	30	18 ½	48 ½

Asher	19 ¼ x 17 ¼	19 ¼ x 17 ¼	23 ½	8	18	24 ½	41
24" Barstool	19 ¼ x 17 ¼	-	-	-	24	24 ½	47
30" Barstool	19 ¼ x 17 ¼	-	-	-	30	24 ½	53

Ashton 36" Bench	17 X 36	-	-	-	19	-	-
Ashton 48" Bench	17 X 48	-	-	-	19	-	-
Ashton 60" Bench	17 X 60	-	-	-	19	-	-
Ashton 72" Bench	17 X 72	-	-	-	19	-	-

Bartlett	19 ¼ x 17	19 ¼ x 17	24	8 ¼	17 ½	22 ½	38 ¼
24" Barstool	20 ¼ x 17	-	-	-	17 ½	22 ½	44 ¼
30" Barstool	21 ¼ x 17	-	-	-	17 ½	22 ½	50 ¼

Beacon Hill Slat	19 x 16 ½	19 x 16 ½	24	7 ½	18	20 ½	37 ½
24" Barstool	19 x 16 ½	19 x 16 ½	24	7 ½	24	20 ½	43 ½
30" Barstool	19 x 16 ½	19 x 16 ½	24	7 ½	30	20 ½	49 ½

Beacon Hill	18 ½ x 16 ½	18 ½ x 16 ½	25 ½	7 ½	18	20 ½	38
24" Barstool	18 ½ x 16 ½	18 ½ x 16 ½	25 ½	7 ½	24	20 ½	44
30" Barstool	18 ½ x 16 ½	18 ½ x 16 ½	25 ½	7 ½	30	20 ½	50

Bridgeport	17 ¼ x 16	-	-	-	17 ¼	22 ½	38
24" Barstool	17 ¼ x 15 ¾	-	-	-	24	20 ½	44 ½
30" Barstool	17 ¼ x 15 ¾	-	-	-	30	20 ½	50 ½

Bunkhouse Arm	-	19 x 16 ½	22 ½	9 ½	18	13 ¼	30 ¼
24" Barstool	-	19 x 16 ½	22 ½	9 ½	24	13 ¼	37 ¼
30" Barstool	-	19 x 16 ½	22 ½	9 ½	30	13 ¼	43 ¼

24" Capecod with back	16 ½ x 16 ½	-	-	-	24	16	40
30" Capecod with back	16 ½ x 16 ½	-	-	-	30	16	46

Caspian	19 x 17	20 x 17	24	25	19	20	39
---------	---------	---------	----	----	----	----	----

Style	Side Chair Seating Area W x D	Arm Chair Seating Area W x D	Overall Arm Width	Arm Height	Seat Height	Back Height From Seat	Back Height From Floor
Castlebrook	18 ½ x 18	18 ½ x 18	23 ½	7 ¾	18	25 ¼	42
24" Barstool	19 ½ x 18	-	-	-	24	25 ¼	48
30" Barstool	20 ½ x 18	-	-	-	30	25 ¼	54

Claremont	-	-	-	-	-	-	-
24" Barstool	14 x 18	-	-	-	24	-	-
30" Barstool	14 x 18	-	-	-	30	-	-

Classic	17 ¾ x 16 ½	17 ¾ x 16 ½	25 ½	7 ¾	18	25 ½	42
24" Barstool	17 ¾ x 16 ½	-	-	-	24	19 ¼	42 ½
30" Barstool	17 ¾ x 16 ½	-	-	-	30	19 ¼	48 ½

Conner	19 x 17	19 x 17	25	7 ¾	18	25 ½	41
24" Barstool	19 x 17	-	-	-	24	25 ½	47
30" Barstool	19 x 17	-	-	-	30	25 ½	53

Cranbrook	18 ½ x 16 ¾	18 ½ x 16 ¾	24 ¾	7 ½	17 ½	23	39 ½
24" Barstool	18 ½ x 16 ¾	-	-	-	24	23	42
30" Barstool	18 ½ x 16 ¾	-	-	-	30	23	46

Durham	17 3/8 x 17	17 3/8 x 17	23 ½	7 ¾	17 ½	21 ¼	37 ¼
24" Barstool	17 3/8 x 17	-	-	-	24	21 ¼	43 ¼
30" Barstool	17 3/8 x 17	-	-	-	30	21 ¼	49 ¼

Edmonton	17 ¼ x 17 ½	18 ½ x 17 ½	25	8	18	22	39 ½
24" Barstool	18 ¼ x 17 ½	-	-	-	24	22	45 ½
30" Barstool	19 ¼ x 17 ½	-	-	-	30	22	51 ½

Edan	-	-	-	-	-	-	-
24" Barstool	16 ¼ x 16	-	-	-	24	10	34
30" Barstool	16 ¼ x 16	-	-	-	30	10	40

Elara	18 ½ x 16 ¾	-	-	-	18	19	38
24" Barstool	18 ½ x 16 ¾	-	-	-	24	19	44
30" Barstool	18 ½ x 16 ¾	-	-	-	30	19	50

Ellington	18 ½ x 17	18 ½ x 17	26 ½	7 ¾	17 ½	21 ¼	41
24" Barstool	18 ½ x 17	-	-	-	24	21 ¼	47
30" Barstool	18 ½ x 17	-	-	-	30	21 ¼	53

Gibson	19 x 17 ½	19 x 17 ½	22	7 ½	17 ½	22	38
24" Barstool	20 x 17 ½	-	-	-	24	22	44
30" Barstool	21 x 17 ½	-	-	-	30	22	50

Hatfield	18 ½ x 17	18 ½ x 17	23 ½	7 ¾	17 ½	21 ¼	38
24" Barstool	18 ½ x 17	-	-	-	24	19	42
30" Barstool	18 ½ x 17	-	-	-	30	19	48

# CHAIR DIMENSIONS

Style	Side Chair Seating Area W x D	Arm Chair Seating Area W x D	Overall Arm Width	Arm Height	Seat Height	Back Height From Seat	Back Height From Floor
Hayworth	18 x 16 ¾	18 x 16 ¾	25	7 ¾	18	26 ¾	43 ¼
24" Barstool	18 x 16 ¾	-	-	-	24	20 ¼	43 ½
30" Barstool	18 x 16 ¾	-	-	-	30	20 ¼	49 ½
Hayworth Highback	18 x 16 ¾	18 x 16 ¾	25	7 ¾	18	32 ¾	49
Hayworth 36" Bench	36 x 16 ¾	36 x 16 ¾	43	7 ¾	18	26 ¾	43 ¼
Hayworth 48" Bench	48 x 16 ¾	48 x 16 ¾	55	7 ¾	18	26 ¾	43 ¼
Heflin	19 x 18 ¼	18 x 16 ¾	25	7 ¾	18	22 ¼	39 ¾
Infinity	17 ¾ x 15 ¾	-	-	-	17 ½	16	33 ½
24" Barstool	17 x 16	-	-	-	24	13 ½	37 ½
30" Barstool	17 x 16	-	-	-	30	13 ½	43 ½
Jameson	17 x 16 ¾	-	-	-	17 ½	23	39 ½
Josser	20 x 17	20 x 17	23	25 ½	17 ¼	25 ¼	41 ¼
24" Barstool	20 x 17	-	-	-	24	21	45
30" Barstool	20 x 17	-	-	-	30	21	51
Kare	18 ½ x 17	18 ½ x 17	21 ½	25 ¼	18 ¾	22	39 ½
24" Barstool	18 ½ x 17	-	-	-	24	22	46
30" Barstool	18 ½ x 17	-	-	-	30	22	52
Kendall	19 x 17	19 x 17	25	7 ¾	18	24 ½	42
24" Barstool	19 x 17	-	-	-	24	24 ½	48
30" Barstool	19 x 17	-	-	-	30	24 ½	54
Kennebec	18 ¾ x 18 ½	18 ¾ x 18 ½	25	7 ¾	18	24 ½	42
24" Barstool	18 ¾ x 18 ½	-	-	-	24	19 ½	48
30" Barstool	18 ¾ x 18 ½	-	-	-	30	19 ½	54
Kenton	19 x 17 ½	19 x 17 ½	23 ½	8 ¼	18	24 ¾	41 ¼
24" Barstool	20 x 17 ½	-	-	-	24	24 ¾	47 ¼
30" Barstool	21 x 17 ½	-	-	-	30	24 ¾	53 ¼
Livonia	-	20 ½ x 20 ½	25 ½	25 ½ – 30 ½	19 – 24	19	36 – 41
24" Barstool	-	19 ½ x 17	24 ¼	32 ¼	24	18	42
30" Barstool	-	19 ½ x 17	24 ¼	38 ¼	30	18	48
Madrid	19 ½ x 18	-	-	-	18	17 ½	35
Morgan	19 ¼ x 17	19 ¼ x 17	24 ½	7 ¼	18	16	34

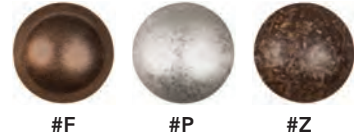
Style	Side Chair Seating Area W x D	Arm Chair Seating Area W x D	Overall Arm Width	Arm Height	Seat Height	Back Height From Seat	Back Height From Floor
Old Mission	18 ½ x 17 ½	18 ½ x 17 ½	25 ¼	25 ¾	17 ¼	21 ½	38 ½
24" Barstool	18 ½ x 17 ½	-	-	-	24	18 ½	42 ½
30" Barstool	18 ½ x 17 ½	-	-	-	30	18	48 ½
24" Open Capecod (without back)	16 ½ x 16 ½	-	-	-	24	-	-
30" Open Capecod (without back)	16 ½ x 16 ½	-	-	-	30	-	-
Richfield	19 ½ x 17 ½	19 ½ x 17 ½	26	7 ¾	18	23 ½	41
Saddle Bar Chair	-	-	-	-	-	-	-
24" Barstool	22 x 13 ½	-	-	-	24	-	-
30" Barstool	22 x 13 ½	-	-	-	30	-	-
Sagamore 24" Swivel Barstool	16 ½ x 16 ½	-	-	-	24	-	-
Sagamore 30" Swivel Barstool	16 ½ x 16 ½	-	-	-	30	-	-
Sedona	19 ¼ x 17	19 ¼ x 17	25	7 ¾	17 ½	22	38
24" Barstool	19 ¼ x 17	-	-	-	24	19 ½	42
30" Barstool	19 ¼ x 17	-	-	-	30	19 ½	48
Simplicity	19 x 24	19 x 24	25 ¼	7 ¾	18	24 ½	42
Soma Slat	19 ¼ x 17 ¼	18 ½ x 17 ¼	25	24	17	19	36
24" Barstool	19 ¼ x 17 ¼	-	-	-	24	19	42
30" Barstool	19 ¼ x 17 ¼	-	-	-	30	19	48
Soma	18 ¼ x 16 ½	18 ½ x 16 ½	22	24	18	20 ½	38
Xander	19 ¼ x 17 ¼	19 ¼ x 17 ¼	25 ¾	7 ½	18	25 ½	42 ¼
24" Barstool	20 ¼ x 17 ¼	-	-	-	24	25 ½	48 ¼
30" Barstool	21 ¼ x 17 ¼	-	-	-	30	25 ½	54 ¼

# BENCHES



**Ashton Bench**  
 17" d x 19" h  
 Fabric, 36" w #ANBEN36F  
 Fabric, 48" w #ANBEN48F  
 Fabric, 60" w #ANBEN60F  
 Fabric, 72" w #ANBEN72F  
 Leather, 36" w #ANBEN36L  
 Leather, 48" w #ANBEN48L  
 Leather, 60" w #ANBEN60L  
 Leather, 72" w #ANBEN72L

Choice of nail finish,  
 see below and specify  
 when ordering.



Add to item number to the  
 following trim options:  
 (#F) French Natural  
 (#P) Pewter Nickel  
 (#Z) Z Finish

**Autumn Mills Bench**  
 14" d x 18" h  
 84" w #AMBEN84  
 72" w #AMBEN72  
 60" w #AMBEN60  
 48" w #AMBEN48  
 36" w #AMBEN36



**Beacon Hill Bench**  
 15" d x 18" h  
 36" w #BHBEN36  
 48" w #BHBEN48  
 60" w #BHBEN60  
 72" w #BHBEN72

**Beacon Hill  
 Expandable Bench**  
 #BHEXB  
 48"-96" w x 15" d x 18" h

**Caspian Expandable Bench**  
 #CPEXB  
 48"-96" w x 13" d x 18" h

**Caspian Bench (not shown)**  
 13" d x 18" h  
 36" w #CPBEN36  
 48" w #CPBEN48  
 60" w #CPBEN60  
 72" w #CPBEN72



Features Plank Style Top

**Classic Bench**  
 17" d x 19" h  
 Fabric 36" w #CCBSF  
 Leather 36" w #CCBSL  
 Fabric 48" w #CCBSF48  
 Leather 48" w #CCBSL48  
 Fabric 60" w #CCBSF60  
 Leather 60" w #CCBSL60



**Fulton Bench**  
 #FNBEN36 36"  
 #FNBEN48 48"  
 #FNBEN60 60"  
 #FNBEN72 72"

**Fulton Expandable Bench**  
 FNEXB



**Elliot Bench**  
 #ETBEN36 36"  
 #ETBEN48 48"  
 #ETBEN60 60"  
 #ETBEN72 72"

**Elliot Expanda Bench**  
 #ETEXB



**Gibson  
 Expandable Bench**  
 #GBEXB  
 48"-96" w x 13" d x 18" h

**Gibson Bench**  
 13" d x 18" h  
 36" w #GBBEN36  
 48" w #GBBEN48  
 60" w #GBBEN60  
 72" w #GBBEN72



**Heflin Solid Top Bench**

**Popular Sizes:**  
 #54-36BEN 36"  
 #54-48BEN 48"  
 #54-60BEN 60"  
 #54-72BEN 72"

**Heflin Expanda Bench**  
 #54-1401EXB



**Henning Bench**  
 #HGBEN54  
 54" w x 16" d x 18" h

# BENCHES



- **Hayworth Bench**
- 13" d x 18" h
- 36" w #HHBEN36
- 48" w #HHBEN48
- 60" w #HHBEN60
- 72" w #HHBEN72

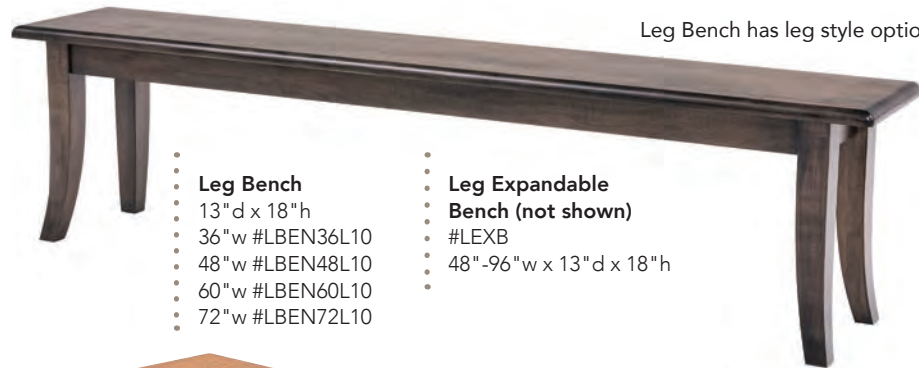


- **Hayworth Captains Bench**
- 16 1/2" d x 43 1/4" h
- 36" w, side #HHSBEN36W
- 43" w, arm #HHABEN36W
- 48" w, side #HHSBEN48W
- 55" w, arm #HHABEN48W



- **Kalspel Bench**
- #KLTB 4272 TM EM
- 36" #KLBEN36
- 48" #KLBEN48
- 60" #KLBEN60
- 72" #KLBEN72

- **Kalspel Expanda Bench**
- #KLEXB



Leg Bench has leg style option

- **Leg Bench**
- 13" d x 18" h
- 36" w #LBEN36L10
- 48" w #LBEN48L10
- 60" w #LBEN60L10
- 72" w #LBEN72L10

- **Leg Expandable Bench (not shown)**
- #LEXB
- 48"-96" w x 13" d x 18" h



- **Leg Bench Options L to R**
- Specify leg style by adding selected Leg SKU to end of Bench SKU
- #L1 Brookline
- #L4 Hoosier
- #L9 Round Shaker
- #L10 Classic Shaker



- **Mission Bench (not shown)**
- 13" d x 18" h
- 36" w #MNBEN36
- 48" w #MNBEN48
- 60" w #MNBEN60
- 72" w #MNBEN72

- **Mission Expandable Bench**
- #MNEXB
- 48"-96" w x 13" d x 18" h
- - Three 16" Leaves
- - Leaf Holder



- **Soma Bench**
- 15" d x 24 1/2" h
- 36" #SMBEN36
- 48" #SMBEN48
- 60" #SMBEN60
- 72" #SMBEN72

- **Simplicity Solid Top Bench**
- #51-36BEN

- **Popular Sizes:**
- #51-36BEN 36"
- #51-48BEN 48"
- #51-60BEN 60"
- #51-72BEN 72"

- **Simplicity Expandable Bench**
- #51-1401EXB



- **Wasilla Bench**
- #WABEN36 36"
- #WABEN48 48"
- #WABEN60 60"
- #WABEN72 72"

- **Wasilla Expandable Bench**
- #WAEXB



- **Vienna Bench**
- #VABEN36 36"
- #VABEN48 48"
- #VABEN60 60"
- #VABEN72 72"

- **Vienna Expandable Bench**
- #VAEXB



- **Woodland Bench**
- 13" d x 18" h
- 36" w #WOBEN36
- 48" w #WOBEN48
- 60" w #WOBEN60
- 72" w #WOBEN72



- **Xander Live Edge Bench**
- 16" d x 18" h
- 60" w #XRBEN60
- 72" w #XRBEN72
- 84" w #XRBEN84
- 90" w #XRBEN90

# BARSTOOLS



## Americana Bar Chair

- Seat Height 24" Stationary**  
19"w x 17 1/2"d x 42"h  
– Wood-#AASCW24B  
– Leather-#AASCW24BL  
– Fabric-#AASCW24BF
- Seat Height 26" Stationary**  
19"w x 17 1/2"d x 44"h  
– Wood-#AASCW26B  
– Leather-#AASCW26BL  
– Fabric-#AASCW26BF
- Seat Height 30" Stationary**  
19"w x 17 1/2"d x 48"h  
– Wood-#AASCW30B  
– Leather-#AASCW30BL  
– Fabric-#AASCW30BF



## Americana Swivel Bar Chair

- Seat Height 24" Swivel**  
19"w x 17 1/2"d x 42"h  
– Wood-#AASCW24WB  
– Leather-#AASCW24WBL  
– Fabric-#AASCW24WBF
- Seat Height 26" Swivel**  
19"w x 17 1/2"d x 44"h  
– Wood-#AASCW26WB  
– Leather-#AASCW26WBL  
– Fabric-#AASCW26WBF
- Seat Height 30" Swivel**  
19"w x 17 1/2"d x 48"h  
– Wood-#AASCW30WB  
– Leather-#AASCW30WBL  
– Fabric-#AASCW30WBF

## Cape Cod Swivel Bar Chair

- Seat Height 24" Swivel** (Seat only)  
25"w x 18"d x 40"h  
– Wood-#OD24BSWWW  
– Fabric-#OD24BSWF  
– Leather-#OD24BSWL
- Seat Height 26" Swivel** (Seat only)  
25"w x 18"d x 42"h  
– Wood-#OD26BSWWW  
– Fabric-#OD26BSWF  
– Leather-#OD26BSWL
- Seat Height 30" Swivel** (Seat only)  
25"w x 18"d x 46"h  
– Wood-#OD30BSWWW  
– Fabric-#OD30BSWF  
– Leather-#OD30BSWL  
– **NO KICKPLATE AVAILABLE** –



## Claremont Bar Chair

- Seat Height 24" Stationary**  
18"w x 16"d x 24"h  
– Leather-#CT24WL  
– Fabric-#CT24WF
- Seat Height 26" Stationary**  
18"w x 16"d x 26"h  
– Leather-#CT26WL  
– Fabric-#CT26WF
- Seat Height 30" Stationary**  
18"w x 16"d x 30"h  
– Leather-#CT30WL  
– Fabric-#CT30WF



## Bridgeport Bar Chair

- Seat Height 24" Stationary**  
17 1/4"w x 15 3/4"d x 47"h  
– Wood-#BTSCW24B  
– Leather-#BTSCW24BL  
– Fabric-#BTSCW24BF
- Seat Height 26" Stationary**  
17 1/4"w x 15 3/4"d x 49"h  
– Wood-#BTSCW26B  
– Leather-#BTSCW26BL  
– Fabric-#BTSCW26BF
- Seat Height 30" Stationary**  
17 1/4"w x 15 3/4"d x 53"h  
– Wood-#BTSCW30B  
– Leather-#BTSCW30BL  
– Fabric-#BTSCW30BF  
– **NO KICKPLATE AVAILABLE** –  
Not available in two tone finish



## Bridgeport Swivel Bar Chair

- Seat Height 24" Swivel**  
17 1/4"w x 15 3/4"d x 47"h  
– Wood-#BTSCW24WB  
– Leather-#BTSCW24WBL  
– Fabric-#BTSCW24WBF
- Seat Height 26" Swivel**  
17 1/4"w x 15 3/4"d x 49"h  
– Wood-#BTSCW26WB  
– Leather-#BTSCW26WBL  
– Fabric-#BTSCW26WBF
- Seat Height 30" Swivel**  
17 1/4"w x 15 3/4"d x 53"h  
– Wood-#BTSCW30WB  
– Leather-#BTSCW30WBL  
– Fabric-#BTSCW30WBF  
– **NO KICKPLATE AVAILABLE** –  
Not available in two tone finish

## Classic Bar Chair

- Seat Height 24" Stationary**  
17 3/4"w x 16 1/2"d x 42 1/2"h  
– Wood-#CCSCW24B  
– Leather-#CCSCW24BL  
– Fabric-#CCSCW24BF
- Seat Height 26" Stationary**  
17 3/4"w x 16 1/2"d x 44 1/2"h  
– Wood-#CCSCW26B  
– Leather-#CCSCW26BL  
– Fabric-#CCSCW26BF
- Seat Height 30" Stationary**  
17 3/4"w x 16 1/2"d x 48 1/2"h  
– Wood-#CCSCW30B  
– Leather-#CCSCW30BL  
– Fabric-#CCSCW30BF



## Classic Swivel Bar Chair

- Seat Height 24" Swivel**  
17 3/4"w x 16 1/2"d x 42 1/2"h  
– Wood-#CCSCW24WB  
– Leather-#CCSCW24WBL  
– Fabric-#CCSCW24WBF
- Seat Height 26" Swivel**  
17 3/4"w x 16 1/2"d x 44 1/2"h  
– Wood-#CCSCW26WB  
– Leather-#CCSCW26WBL  
– Fabric-#CCSCW26WBF
- Seat Height 30" Swivel**  
17 3/4"w x 16 1/2"d x 48 1/2"h  
– Wood-#CCSCW30WB  
– Leather-#CCSCW30WBL  
– Fabric-#CCSCW30WBF



## Cape Cod Bar Chair

- Seat Height 24" Stationary**  
25"w x 18"d x 40"h  
– Wood-#CDBSW  
– Leather-#CDBSL  
– Fabric-#CDBSF
- Seat Height 26" Stationary**  
25"w x 18"d x 42"h  
– Wood-#CD26BSW  
– Leather-#CD26BSL  
– Fabric-#CD26BSF
- Seat Height 30" Stationary**  
25"w x 18"d x 46"h  
– Wood-#CD30BSW  
– Leather-#CD30BSL  
– Fabric-#CD30BSF  
– **NO KICKPLATE AVAILABLE** –



## Cape Cod Swivel Bar Chair w/ Back

- Seat Height 24" Swivel** (Seat only)  
25"w x 18"d x 40"h  
– Wood-#CD24BSWWW  
– Fabric-#CD24BSWF  
– Leather-#CD24BSWL
- Seat Height 26" Swivel** (Seat only)  
25"w x 18"d x 42"h  
– Wood-#CD26BSWWW  
– Fabric-#CD26BSWF  
– Leather-#CD26BSWL
- Seat Height 30" Swivel** (Seat only)  
25"w x 18"d x 46"h  
– Wood-#CD30BSWWW  
– Fabric-#CD30BSWF  
– Leather-#CD30BSWL  
– **NO KICKPLATE AVAILABLE** –

## Elara Bar Chair

- Seat Height 24" Stationary**  
18 1/2" x 16 3/4" x 44"  
– Leather-#EASCW24BL  
– Fabric-#EASCW24BF
- Seat Height 26" Stationary**  
18 1/2" x 16 3/4" x 46"  
– Leather-#EASCW26BL  
– Fabric-#EASCW26BF
- Seat Height 30" Stationary**  
18 1/2" x 16 3/4" x 50"  
– Leather-#EASCW30BL  
– Fabric-#EASCW30BF



## Edan Bar Chair

- Seat Height 24" Stationary**  
17"w x 16"d x 34"h  
– Leather-#EN24WL  
– Fabric-#EN24WF
- Seat Height 26" Stationary**  
17"w x 16"d x 36"h  
– Leather-#EN26WL  
– Fabric-#EN26WF
- Seat Height 30" Stationary**  
17"w x 16"d x 40"h  
– Leather-#EN30WL  
– Fabric-#EN30WF



# BARSTOOLS



## Hatfield Bar Chair

### Seat Height 24" Stationary

- 18 1/2" w x 17" d x 42" h
- Wood-#HASCW24B
- Leather-#HASCW24BL
- Fabric-#HASCW24BFL

### Seat Height 26" Stationary

- 18 1/2" w x 17" d x 44" h
- Wood-#HASCW26B
- Leather-#HASCW26BL
- Fabric-#HASCW26BF

### Seat Height 30" Stationary

- 18 1/2" w x 17" d x 48" h
- Wood-#HASCW30B
- Leather-#HASCW30BL
- Fabric-#HASCW30BF

### Seat Height 24" Swivel

- Wood-#HASCW24WB
- Leather-#HASCW24WBL
- Fabric-#HASCW24WBF

### Seat Height 26" Swivel

- Wood-#HASCW26WB
- Leather-#HASCW26WBL
- Fabric-#HASCW26WBF

### Seat Height 30" Swivel

- Wood-#HASCW30WB
- Leather-#HASCW30WBL
- Fabric-#HASCW30WBF

(Swivel photo not available)



## Kare Swivel Bar Chair

### Seat Height 24" Swivel

- Leather-#KASCW24WBL
- Fabric-#KASCW24WBF

### Seat Height 26" Swivel

- Leather-#KASCW26WBL
- Fabric-#KASCW26WBF

### Seat Height 30" Swivel

- 18" w x 16" d x 53" h
- Leather-#KASCW30WBL
- Fabric-#KASCW30WBF



## Infinity Bar Chair

### Seat Height 24" Stationary

- 17" w x 16" d x 37 1/2" h
- Wood-#IYSCW24B
- Leather-#IYSCW24BL
- Fabric-#IYSCW24BF

### Seat Height 26" Stationary

- 17" w x 16" d x 39 1/2" h
- Wood-#IYSCW26B
- Leather-#IYSCW26BL
- Fabric-#IYSCW26BF

### Seat Height 30" Stationary

- 17" w x 16" d x 43 1/2" h
- Wood-#IYSCW30B
- Leather-#IYSCW30BL
- Fabric-#IYSCW30BF



## Hayworth Bar Chair

### Seat Height 24" Stationary

- 18" w x 16 3/4" d x 43 1/2" h
- Wood-#HHSCW24B
- Leather-#HHSCW24BL
- Fabric-#HHSCW24BF

### Seat Height 26" Stationary

- 18" w x 16 3/4" d x 45 1/2" h
- Wood-#HHSCW26B
- Leather-#HHSCW26BL
- Fabric-#HHSCW26BF

### Seat Height 30" Stationary

- 18" w x 16 3/4" d x 49 1/2" h
- Wood-#HHSCW30B
- Leather-#HHSCW30BL
- Fabric-#HHSCW30BF



## Josser Bar Chair

### Seat Height 24" Stationary

- 20" w x 17" d x 45" h
- Wood-#JRSCW24B
- Leather-#JRSCW24BL
- Fabric-#JRSCW24BF

### Seat Height 26" Stationary

- 20" w x 17" d x 47" h
- Wood-#JRSCW26B
- Leather-#JRSCW26BL
- Fabric-#JRSCW26BF

### Seat Height 30" Stationary

- 20" w x 17" d x 51" h
- Wood-#JRSCW30B
- Leather-#JRSCW30BL
- Fabric-#JRSCW30BF



## Kennebec Bar Chair

### Seat Height 24" Stationary

- 19 1/2" w x 19" d x 43" h
- Wood-#KCSCW24B
- Leather-#KCSCW24BL
- Fabric-#KCSCW24BF

### Seat Height 26" Stationary

- 19 1/2" w x 19" d x 45" h
- Wood-#KCSCW26B
- Leather-#KCSCW26BL
- Fabric-#KCSCW26BF

### Seat Height 30" Stationary

- 19 1/2" w x 19" d x 49" h
- Wood-#KCSCW30B
- Leather-#KCSCW30BL
- Fabric-#KCSCW30BF



## Kinkade Bar Chair

### Seat Height 24" Stationary

- 19 1/2" w x 17 3/4" d x 41 3/4" h
- Wood-#KESCW24B
- Leather-#KESCW24BL
- Fabric-#KESCW24BF

### Seat Height 26" Stationary

- 19 1/2" w x 17 3/4" d x 43 3/4" h
- Wood-#KESCW26B
- Leather-#KESCW26BL
- Fabric-#KESCW26BF

### Seat Height 30" Stationary

- 19 1/2" w x 17 3/4" d x 47 3/4" h
- Wood-#KESCW30B
- Leather-#KESCW30BL
- Fabric-#KESCW30BF

- NO KICKPLATE AVAILABLE -



## Josser Swivel Bar Chair

### Seat Height 24" Swivel

- 20" w x 17" d x 45" h
- Wood-#JRSCW24WB
- Leather-#JRSCW24WBL
- Fabric-#JRSCW24WBF

### Seat Height 26" Swivel

- 20" w x 17" d x 47" h
- Wood-#JRSCW26WB
- Leather-#JRSCW26WBL
- Fabric-#JRSCW26WBF

### Seat Height 30" Swivel

- 20" w x 17" d x 51" h
- Wood-#JRSCW30WB
- Leather-#JRSCW30WBL
- Fabric-#JRSCW30WBF



## Kare Bar Chair

### Seat Height 24" Stationary

- 18" w x 16" d x 47" h
- Leather-#KASCW24BL
- Fabric-#KASCW24BF

### Seat Height 26" Stationary

- 18" w x 16" d x 49" h
- Leather-#KASCW26BL
- Fabric-#KASCW26BF

### Seat Height 30" Stationary

- 18" w x 16" d x 53" h
- Leather-#KASCW30BL
- Fabric-#KASCW30BF



## Livonia Swivel Bar Chair

### Seat Height 24" Swivel

- 24" w x 17" d x 41" h
- Leather-#LVACFL24B
- Fabric-#LVACF24BF

### Seat Height 26" Swivel

- 24" w x 17" d x 43" h
- Leather-#LVACFL26B
- Fabric-#LVACF26BF

### Seat Height 30" Swivel

- 24" w x 17" d x 47" h
- Leather-#LVACFL30B
- Fabric-#LVACF30BF

- NO KICKPLATE AVAILABLE -



## Old Mission Bar Chair

### Seat Height 24" Stationary

- 18 1/2" w x 17 1/2" d x 42 1/2" h
- Wood-#OMSCW24B
- Leather-#OMSCW24BL
- Fabric-#OMSCW24BF

### Seat Height 26" Stationary

- 18 1/2" w x 17 1/2" d x 44 1/2" h
- Wood-#OMSCW26B
- Leather-#OMSCW26BL
- Fabric-#OMSCW26BF

### Seat Height 30" Stationary

- 18 1/2" w x 17 1/2" d x 48 1/2" h
- Wood-#OMSCW30B
- Leather-#OMSCW30BL
- Fabric-#OMSCW30BF

# BARSTOOLS



## Old Mission Swivel Bar Chair

- Seat Height 24" Swivel**  
18 1/2" w x 17 1/2" d x 42 1/2" h  
– Wood-#OMSCW24WB  
– Leather-#OMSCW24WBL  
– Fabric-#OMSCW24WBF
- Seat Height 26" Swivel**  
18 1/2" w x 17 1/2" d x 44 1/2" h  
– Wood-#OMSCW26WB  
– Leather-#OMSCW26WBL  
– Fabric-#OMSCW26WBFv
- Seat Height 30" Swivel**  
18 1/2" w x 17 1/2" d x 48 1/2" h  
– Wood-#OMSCW30WB  
– Leather-#OMSCW30WBL  
– Fabric-#OMSCW30WBF



## Saddle Bar Stool

- Seat Height 24" Stationary**  
22" w x 13 1/2" d x 24" h  
– Wood #SD24TW
- Seat Height 26" Stationary**  
22" w x 13 1/2" d x 26" h  
– Wood #SD26TW
- Seat Height 30" Stationary**  
22" w x 13 1/2" d x 30" h  
– Wood #SD30TW
- NO KICKPLATE AVAILABLE –

## Saddle Swivel Bar Stool

- Seat Height 24" Swivel**  
22" w x 13 1/2" d x 24" h  
– Wood #SD24WW
- Seat Height 26" Swivel**  
22" w x 13 1/2" d x 26" h  
– Wood #SD26WW
- Seat Height 30" Swivel**  
22" w x 13 1/2" d x 30" h  
– Wood #SD30WW
- NO KICKPLATE AVAILABLE –



## Sagamore Swivel Bar Chair

- Seat Height 24" Swivel**  
19" w x 19" d x 24" h  
– Wood-#SE24WW  
– Leather-#SE24WWL  
– Fabric-#SE24WWF
- Seat Height 26" Swivel**  
19" w x 19" d x 26" h  
– Wood-#SE26WW  
– Leather-#SE26WWL  
– Fabric-#SE26WWF
- Seat Height 30" Swivel**  
19" w x 19" d x 30" h  
– Wood-#SE30WW  
– Leather-#SE30WWL  
– Fabric-#SE30WWF
- STANDARD WITH KICKPLATE –

### CUSHION & TRIM OPTIONS



Sagamore Swivel Bar Chair shown w/ **Optional Box Cushion (#BC)**



**Box Cushion (#BC)**  
**French Natural Brass Trim (#FN)**



**Nickel trim is standard**

## Sedona Bar Chair

- Seat Height 24" Stationary**  
19" w x 17" d x 42" h  
– Wood-#SASCW24B  
– Leather-#SASCW24BL  
– Fabric-#SASCW24BF
- Seat Height 26" Stationary**  
19" w x 17" d x 44" h  
– Wood-#SASCW26B  
– Leather-#SASCW26BL  
– Fabric-#SASCW26BF
- Seat Height 30" Stationary**  
19" w x 17" d x 48" h  
– Wood-#SASCW30B  
– Leather-#SASCW30BL  
– Fabric-#SASCW30BF



**Protective Stretcher Cover (#PC)**  
Protective cover available in Black and Brushed Stainless. Covers are available on bar chairs only.

# ROCKERS & GLIDERS



- Olde Century Rocker**  
23 3/4" w x 19 1/2" d x 43 1/2" h  
– Fabric #22OCRRF  
– Leather #22OCRRL



- Regal Rocker**  
23 3/4" w x 19 1/2" d x 41 1/2" h  
– Fabric #22RLRRF  
– Leather #22RLRRL

- Add to item number the following trim options:  
(#F) French Natural  
(#P) Pewter Nickel  
(#Z) Z Finish



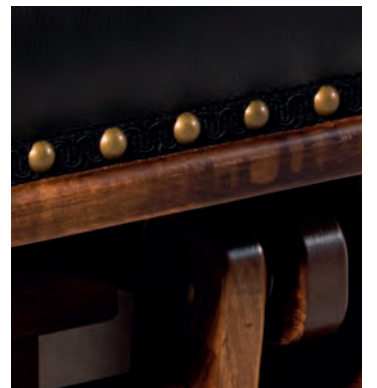
#F



#P



#Z



- Belton Swivel Glider**  
22" w x 19 1/2" d x 43" h  
– Fabric #22BNSGF  
– Leather #22BNSGL



- Belton Ottoman**  
21" w x 16 1/2" d x 14 1/2" h  
– Fabric #22BNOF  
– Leather #22BNOL

- Belton Glider**  
22 1/4" w x 19 1/2" d x 41" h  
– Fabric #22BNGF  
– Leather #22BNGL





# STORAGE OPTIONS

Why, you ask, do we make our beautiful hutches, buffets, and sideboard in the time-honored tradition of Amish furniture- building?

**BECAUSE  
YOU WOULDN'T  
WANT IT ANY  
OTHER WAY.**

We are true Amish craftsmen, dedicated to building and finishing every piece of furniture by hand, one piece at a time. Because you wouldn't expect any from Fusion Designs.

# HUTCHES

We are true Amish craftsmen, building and finishing every piece of furniture by hand.

**ONE PIECE AT A TIME.**

... That's Fusion Designs.

## Aiden



Total height buffet with hutch is 81"

### Aiden Hutch

- #AIBFT44 (2-door)  
44" w x 20" d x 56" h
- #AIBFT62 (3-door)  
62" w x 20" d x 56" h
- #AIBFT72 (4-door)  
72" w x 20" d x 56" h
- Soft-close doors
- Antique glass
- Light block trim in doors
- Touch lights
- 2 adjustable glass shelves
- Mirror back available
- Hardware options (see Features & Options)

### Aiden Buffet

- #AIBFB44 (2-door)  
44" w x 20" d x 35" h
- #AIBFB62 (3-door)  
62" w x 20" d x 35" h
- #AIBFB72 (4-door)  
72" w x 20" d x 35" h
- 1" thick tops
- Soft-close doors & drawers
- Dovetailed solid wood drawers
- Optional silverware drawer insert (#SRD)

## Castlebrook



Total height buffet with hutch is 81"

### Castlebrook Hutch

- #CABFT46 (2-door)  
46" w x 20" d x 46" h
- #CABFT60 (3-door)  
60" w x 20" d x 46" h
- #CABFT72 (4-door)  
72" w x 20" d x 46" h
- Soft-close doors
- Multi-setting touch lighting
- Adjustable glass shelf

### Castlebrook Buffet

- #CABFB46 (2-door)  
45" w x 20" d x 35" h
- #CABFB60 (3-door)  
59" w x 20" d x 35" h
- #CABFB72 (4-door)  
71" w x 20" d x 35" h
- Dovetailed solid wood drawers with undermount slides
- Soft-close doors & drawers
- Hardware options (see Features & Options)
- Optional silverware drawer insert (#SRD)

Standard hardware is W-1/W-2

## Classic



Total height buffet with hutch is 80"

### Classic Hutch

- #CCBFT40 (2-door)  
40" w x 20" d x 46" h
- #CCBFT56 (3-door)  
56" w x 20" d x 46" h
- #CCBFT72 (4-door)  
72" w x 20" d x 46" h
- Mirrored back (#MB)
- Beveled glass in doors
- 1 adjustable glass shelf with plate grooves
- Recessed touch lighting
- Soft-close doors

### Classic Buffet

- #CCBFB40 (2-door)  
40" w x 20" d x 34" h
- #CCBFB56 (3-door)  
56" w x 20" d x 34" h
- #CCBFB72 (4-door)  
72" w x 20" d x 34" h
- Soft-close doors & drawers
- Hardware options (see Features & Options)
- Optional silverware drawer insert (#SRD)

## Caspian



Total height buffet with hutch is 80"

### Caspian Hutch

- #CPBFT40 (2-door)  
42 1/2" w x 20" d x 46" h
- #CPBFT60 (3-door)  
60 1/2" w x 20" d x 46" h
- #CPBFT80 (4-door)  
80 1/2" w x 20" d x 46" h
- Flush doors with light guard
- Antique glass sides
- Leaded glass doors
- Open deck
- Touch lighting
- 2 adjustable glass shelves with plate grooves
- Soft-close doors
- Mirror back (#MB)
- Hardware options (see Features & Options)

### Caspian Buffet

- #CPBFB40 (2-door)  
40" w x 20" d x 34" h
- #CPBFB60 (3-door)  
58" w x 20" d x 34" h
- #CPBFB80 (4-door)  
78" w x 20" d x 34" h
- Optional silverware drawer insert (#SRD)

## Edmonton



Total height buffet with hutch is 89"

### Edmonton Corner Hutch

- #ENBFT  
46" w x 25" d x 53" h
- 2 adjustable glass shelves
- Recessed touch lighting
- Inset doors
- Soft-close doors

### Edmonton Corner Buffet

- #ENBFB  
46" w x 25" d x 36" h
- 1 adjustable wooden shelf
- Soft-close doors
- Hardware options (see Features & Options)

Standard hardware is E-5

## Elara Display Chest



### Elara Display Chest

- #EADPC  
40" w x 19" d x 78" h
  - Soft-closing, full extension, undermount drawer guides
  - Dovetailed, solid wood drawers
  - Recessed touch lighting
  - Soft-close doors
  - Display Chest includes 2 Adjustable glass shelves
- See hardware page in Features and Options section



# HUTCHES

## Farmville



**Farmville Hutch**  
 #FEBFT (2 Door)  
 20" w x 60 1/2" d x 46 1/2" h  
 #FEBFT35 (1 Door)  
 #20" w x 35" d x 46 1/2" h

**Farmville Buffet**  
 #FEBF (3 Drawer, 2 Door)  
 20" w x 57" d x 35" h  
 #FEBF31 (1 Drawer, 2 Door)  
 20" w x 31 1/2" d x 35" h

- Soft-closing, full extension, undermount drawer slides
- Soft closing doors on buffet only
- Dovetailed, solid wood drawers
- Recessed touch lighting
- 2 glass adjustable shelves
- Fixed wood shelf in base

See hardware page in Features & Options section

Total height buffet with hutch is 81 1/2"

## Tuscana



**Tuscana Hutch**  
 #TABFT50  
 64" w x 20" d x 41" h

- Recessed touch lighting
- 2 adjustable glass shelves with plate grooves
- Soft-close doors
- Optional mirror back (#MB)

**Tuscana Buffet**  
 #TABFB  
 60" w x 20" d x 40" h

- Soft-closing, full extension, undermount drawer slides
- Dovetailed, solid wood drawers
- Hardware (see Features & Options)
- Optional silverware drawer insert (#SRD)

Total height buffet with hutch is 81"

## Wellington



**Wellington Hutch**  
 #WNBFT  
 48" w x 20" d x 22" h

- Recessed touch lighting
- 3" crown molding
- Soft-close doors

**Wellington Buffet**  
 #WNBFB  
 48" w x 20" d x 44" h

- Soft-closing, full extension, undermount drawer slides
- Dovetailed, solid wood drawers
- 1" thick top
- 1 adjustable hardwood shelf
- Raised-panel doors
- Optional silverware drawer insert (#SRD)
- Hardware (see Features & Options)

Total height buffet with hutch is 66" Features & Options

## Hayworth



**Hayworth Hutch**  
 #HHBFT46 (2-door)  
 46" w x 21 1/2" d x 46" h  
 #HHBFT62 (3-door)  
 62" w x 21 1/2" d x 46" h  
 #HHBFT80 (4-door)  
 80" w x 21 1/2" d x 46" h

- Recessed touch lighting
- Beveled glass doors
- 2 adjustable glass shelves with plate grooves
- Soft-close doors
- Ebony inlays
- Crown molding adds 3" to overall width

**Hayworth Buffet**  
 #HHBFB46 (2-door)  
 46" w x 21 1/2" d x 35" h  
 #HHBFB62 (3-door)  
 62" w x 21 1/2" d x 35" h  
 #HHBFB80 (4-door)  
 80" w x 21 1/2" d x 35" h

- Soft-close drawers & doors
- Optional silverware drawer insert (#SRD)
- Mirror back (#MB)

Total height buffet with hutch is 81"



# PIE SAFES

## Old Mission Pie Safe

#OMB35

35 1/4" w x 17 1/2" d x 46 3/4" h

- Soft-closing, full extension, undermount drawer slides
- Dovetailed solid wood drawers
- Soft-close doors
- Hardware (see Features & Options)



# BUFFETS & SIDEBOARDS

## Aiden Buffet



#AIBFB44 (2-door)  
(2 door, 2 drawer)  
44" w x 20" d x 35" h

#AIBFB62 (3-door)  
62" w x 20" d x 35" h

#AIBFB72 (4-door)  
(4 door, 3 drawer)  
72" w x 20" d x 35" h

- Soft-close doors & drawers
- Optional silverware drawer insert (#SRD)
- Hardware (see Features & Options)

## Aiden High Buffet



#AIHBF45 (2-door)  
(2 door, 2 drawer)  
45" w x 20" d x 50" h

#AIHBF56 (3-door)  
56" w x 20" d x 50" h

#AIHBF66 (4-door)  
(4 door, 3 drawer)  
66" w x 20" d x 50" h

- Soft-close doors & drawers
- Antique glass
- Light block trim in doors
- 2 adjustable glass shelves
- Optional silverware drawer insert (#SRD)
- Hardware (see Features & Options)

## Arabella Buffet



#ARBF  
54" w x 19 1/2" d x 36" h

- 12" pullout shelves on each end
- Soft-closing, full extension, undermount drawer slides
- Dovetailed, solid wood drawers
- Hardware (see Features & Options)
- Optional silverware drawer insert (#SRD)

## Autumn Mills Server



#AMBT66  
18" w x 66" d x 36" h

#AMBT72  
18" w x 72" d x 36" h

#AMBT84  
18" w x 84" d x 36" h

- Steel powdercoated frame
- 1 5/8" thick top
- Authentic nail holes and imperfections

**WOOD SPECIES** Only available in Barnwood

# BUFFETS & SIDEBOARDS

## Beacon Hill Sideboard



- #BHSD52  
52" w x 18" d x 36" h
- #BHSD60  
60" w x 18" d x 36" h
- #BHSD68  
68" w x 18" d x 36" h
- Soft-closing, full extension, undermount drawer guides
- Dovetailed, solid wood drawers

## Beacon Hill Buffet



- #BHBF31 (2 Door)  
31" w x 18" d x 40" h
- #BHBF54 (4 Door)  
54" w x 18" d x 40" h
- #BHBF76 (6 Door)  
76" w x 18" d x 40" h
- Soft-close doors
- Buffet has 2 adjustable shelves behind each set of doors

## Castlebrook Buffet



- #CABFB46 (2-door)  
(2 door, 2 drawer)  
45" w x 20" d x 35" h
- #CABFB60 (3-door)  
59" w x 20" d x 35" h
- #CABFB72 (4-door)  
(4 door, 3 drawer)  
71" w x 20" d x 35" h
- Yellowheart wood inlays
- Soft-closing, full extension, undermount drawer slides
- Soft-closing doors
- Dovetailed solid wood drawers
- Hardware (see Features & Options)
- Optional silverware drawer insert (#SRD)

## Celina Buffet



- #CLBF54 (4 door, 1 drawer)  
20" w x 54" d x 40" h
- #CLBF60 (4 door, 1 drawer)  
20" w x 60" d x 40" h
- #CLBF72 (4 door, 1 drawer)  
20" w x 72" d x 40" h
- Soft-closing, full extension, undermount drawer slides
- Soft closing doors
- Dovetailed, solid wood drawers
- Radius doors

## Bartlett



- #BRBF54 (2-door)  
20" w x 54" d x 40" h
- #BRBF60 (2-door)  
20" w x 60" d x 40" h
- #BRBF72 (2-door)  
20" w x 72" d x 40" h
- #BRBF454 (4-door)  
20" w x 54" d x 40" h
- #BRBF460 (4-door)  
20" w x 60" d x 40" h
- #BRBF472 (4-door)  
20" w x 72" d x 40" h
- Soft-closing, full extension, undermount drawer slides
- Soft closing doors
- Dovetailed, solid wood drawers
- Adjustable wood shelves in door
- 4-door unit comes with doors and shelf instead of wine rack
- See hardware page in Features & Options section

## Castlebrook High Buffet



- #CAHBF59 (3-door)  
59 1/4" w x 20" d x 50" h
- #CAHBF47 (2-door)  
(2 door, 4 drawer)  
47" w x 20" d x 50" h
- #CAHBF71 (4-door)  
(4 door, 6 drawer)  
71" w x 20" d x 50" h
- Yellowheart wood inlays
- Soft-closing, full extension, undermount drawer slides
- Soft-closing doors
- Dovetailed solid wood drawers
- Multi-setting touch lights
- Hardware (see Features & Options)
- Optional silverware drawer insert (#SRD)

## Copenhagen Leaf Storage Cabinet



- #CHBF60 60"
- #CHBF72 72"
- Available sizes: 60" or 72" length- 60" stores 36", 42", or 48" long leaves, and 72" stores 54" or 60" long leaves
- 38" standard height
- Standard depth is 20" and will need to add 6" in depth to store 16" wide leaves
- Cabinets can store up to 10 leaves w/ skirt
- Standard with two adjustable shelves

## Elara Shelf Chest



- #EASC  
38" w x 18" d x 38" h
- Shelf chest includes 2 adjustable shelves that can be used as wine bottle holders or regular shelves
- See hardware page in Features and Options section

# BUFFETS & SIDEBOARDS

## Elara Door Chest



- #EADC  
38" w x 18" d x 38" h
- Soft-close doors
  - Includes 2 adjustable shelves
  - See hardware page in Features and Options section

## Gibson High Buffet



- #GBHBF44 (2-door, 4-drawer) - Flush doors with light guard  
44" w x 20" d x 50" h - Multi-setting touch lights
- #GBHBF56 (3-door, 4-drawer) - 1 adjustable glass shelf  
56" w x 20" d x 50" h - Soft closing undermount drawer guides
- #GBHBF68 (4-door, 6-drawer) - Soft closing doors  
68" w x 20" d x 50" h - Dovetailed solid wood drawers  
- Hardware (see Features & Options)  
- Optional silverware drawer insert (#SRD)

## Heflin Server



- #54-1101  
61 1/4" w x 19 1/4" d x 34 3/4" h
- Soft-close doors
  - See hardware page in Features and Options section

## Monterey Leaf Storage Cabinet



- MYBF60 60"  
MYBF72 72"
- Available sizes: 60" or 72" length- 60" stores 36", 42", or 48" long leaves, and 72" stores 54" or 60" long leaves
  - 38" standard height
  - Standard depth is 20" and will need to add 6" in depth to store 16" wide leaves
  - Cabinets can store up to 10 leaves w/ skirt
  - Standard with two adjustable shelves

## Goshen Buffet



- #GNBF60  
60" w x 20" d x 40" h
- Textured glass
  - One hardwood shelf in each door
  - Inset doors and drawers
  - Soft-closing, full extension, undermount drawer slides
  - Dovetailed solid wood drawers
  - Soft-close doors
  - Hardware (see Features & Options)
  - Optional silverware drawer insert (#SRD)

## Hayworth Buffet



- #HHBFB46 (2-door, 2 drawer)  
46" w x 21 1/2" d x 35" h
- #HHBFB62 (3-door)  
62" w x 21 1/2" d x 35" h
- #HHBFB80 (4-door, 3 drawer)  
80" w x 21 1/2" d x 35" h
- Soft-closing, full extension, undermount drawer slides
  - Dovetailed, solid wood drawers
  - Soft-close doors
  - Ebony Inlays
  - Hardware (see Features & Options)
  - Optional silverware drawer insert (#SRD)

## Simplicity Server



- #51-1101  
56" w x 19" d x 36" h
- Features Walnut base
  - Inlays are standard

## Simplicity Curio Cabinet



- #51-1001  
38" w x 15" d x 60" h
- Features Walnut base
  - Inlays are standard

# BUFFETS & SIDEBOARDS

## Soma Buffet



- #SMBF60  
60" w x 18" d x 24 1/2" h
- Soft-close doors
  - 2 adjustable shelves behind each set of doors
  - Hardware (see Features & Options)

## Tuscana Closed Buffet



- #TABFB  
60" w x 20" d x 40" h
- Solid wood dovetailed drawers
  - Soft-close doors
  - Hardware (see Features & Options)
  - Optional silverware drawer insert (#SRD)

## Woodland High Buffet



- Small #WOHBS (2-door, 2-drawer)  
42 1/2" w x 20" d x 50" h
- Medium #WOHBM (3-door, 2-drawer)  
60" w x 20" d x 50" h
- Large #WOHBL (4-door, 3 -drawer)  
72" w x 20" d x 50" h
- Saw-Cut Top
  - Soft Close Doors & Drawers
  - Light Blocking Trim In Doors
  - Two Adjustable Glass
  - Multi-setting Touch Lights Shelves
  - Hardware (see Hardware)

## Tuscana Open Buffet



- #TAOBF  
60" w x 20" d x 40" h
- Dovetailed solid wood drawers
  - Inset doors & drawers
  - 1 adjustable shelf
  - Hardware (see Features & Options)
  - Optional silverware drawer insert (#SRD)

## Wellington Buffet



- #WNBFB  
48" w x 20" d x 44" h
- Soft-closing, full extension, undermount drawer slides
  - Dovetailed, solid wood drawers
  - 1" thick top
  - 1 adjustable hardwood shelf
  - Inset doors and drawers
  - Raised panel doors
  - Hardware (see Features & Options)
  - Optional silverware drawer insert (#SRD)





# LIVING ROOM COLLECTIONS

Imagine the compliments you'll get when your guests' eyes are drawn to your classically modern occasional table from Fusion Designs.

## HONORING THE PAST DESIGNED FOR THE FUTURE.

Many Amish furniture makers follow traditional designs primarily in the Mission or Arts and Crafts style. While we adhere to Amish craftsmanship and attention to detail, our designs are innovative and imaginative.

# BUNGALOW MISSION

## Collection

### COLLECTION FEATURES

- 1" tops
- Dovetailed, maple drawers
- Premium soft-close, undermount drawer glides
- H-8 hardware

### COLLECTION OPTIONS

- Distressed finish (#2D)
- Hand-planed tops (#HPD)
- Two-tone finish (#2TN)
- Hardware options (see Features & Options)



• Bungalow Mission  
• 1 Drawer End Table  
• #13-2501  
• 21" w x 25" d x 24" h



• Bungalow Mission  
• Phone Stand  
• #13-2507  
• 19" w x 17" d x 28 1/2" h



• Bungalow Mission  
• 3 Drawer Coffee Table  
• #13-2502  
• 53" x 25" x 18"



• Bungalow Mission  
• 26" Round End Table  
• #13-2504  
• 26" w x 26" d x 26" h



• Bungalow Mission  
• Magazine Rack  
• #13-2506  
• 19 3/4" w x 13" d x 14" h

All items shown in  
Quartersawn Oak with  
#32 Michaels finish

• Bungalow Mission  
• 3 Drawer Sofa Table  
• #13-2503  
• 53" w x 19" d x 30" h



• Bungalow Mission  
• Bookcase 6 Shelves  
• #13-2906  
• 38" w x 13" d x 80" h



• Bungalow Bookcase  
• 5 Shelves  
• #13-2905  
• 38" w x 13" d x 72" h



• Bungalow Mission  
• Bookcase 4 Shelves  
• #13-2904  
• 38" w x 13" d x 65" h

• Bungalow Bookcase  
• 3 Shelves  
• #13-2903  
• 38" w x 13" d x 52" h

• Bungalow Mission  
• Bookcase 2 Shelves  
• #13-2902  
• 38" w x 13" d x 40" h

• Bungalow Mission  
• Bookcase 1 Shelves  
• #13-2901  
• 38" w x 13" d x 30" h



• Bungalow Mission  
• Single Door Bookcase  
• #13-2907  
• 32" w x 13 1/2" d x 60 1/2" h



• Bungalow Mission  
• Double Door Bookcase  
• #13-2908  
• 63" w x 13 1/2" d x 60 1/2" h

All items shown in  
Quartersawn Oak with  
#32 Michaels finish

# BUNGALOW MISSION

*Collection*

CONTINUED...



• Bungalow Mission Club Chair  
• #13-2301L Leather  
• #13-2301F Fabric  
• 42 1/2" w x 38" d x 39" h



• Bungalow Mission Love Seat  
• #13-2303L Leather  
• #13-2303F Fabric  
• 60 3/4" w x 38" d x 39" h



• Bungalow Mission Sofa  
• #13-2302L Leather  
• #13-2303F Fabric  
• 84 3/4" w x 38" d x 39" h



• Bungalow Mission Morris Chair  
• #13-2310L Leather  
• #13-2310F Fabric  
• 35" w x 37 3/4" d x 44" h

All items shown in Quartersawn Oak with #32 Michaels finish



# CAMPBELL *Collection*

## COLLECTION FEATURES

- Roundover edge on 1" thick tops
- Dovetailed, solid wood drawers
- Soft-closing, full extension, undermount drawer guides
- Soft-close doors
- N-14 knobs

## COLLECTION OPTIONS

- Distressed finish (#2D)
- Hand-planed tops (#HPD)
- Two-tone finish (#2TN)



### Campbell 16" End Table

#4CAET16  
16"w x 24"d x 24"h

### Campbell 22" End Table

#4CAET22  
22"w x 24"d x 24"h

### Campbell Sofa Table

#4CAST  
54"w x 19"d x 30"h

### Campbell Coffee Table

#4CACT  
48"w x 28"d x 19"h



# CASTLEBROOK *Collection*

## COLLECTION FEATURES

- 1" tops with bread board ends
- Dovetailed, maple drawers
- Premium soft-close, undermount drawer glides
- Yellowheart wood inlays
- W-2 hardware

## COLLECTION OPTIONS

- Distressed finish (#2D)
- Hand-planed tops (#HPD)
- Two-tone finish (#2TN)
- Hardware options (see Features & Options)



### Castlebrook 42" Coffee Table

#4CKC42  
42"w x 24"d x 18"h

### Castlebrook 48" Coffee Table

(not shown)  
#4CKC48  
48"w x 28"d x 18"h

### Castlebrook 16" End Table

#4CKE16  
16"w x 26"d x 24"h

### Castlebrook 23" End Table

(not shown)  
#4CKE23  
23"w x 26"d x 24"h

### Castlebrook Sofa Table

#4CKS  
54"w x 16"d x 29 1/2"h



# HAYWORTH *Collection*

## COLLECTION FEATURES

- Constructed using solid wood
- Dovetailed, solid wood drawer boxes
- Undermount, soft-closing drawers
- Ebony Wood Inlay
- N-14 Black Hardware

## COLLECTION OPTIONS

- Hardware Options  
(see Features & Options page)
- No Inlays

•••  
• **Hayworth End Table**  
• #HHET  
• 23"w x 26"d x 24"h



•••  
• **Hayworth Cocktail Table**  
• #HHCT  
• 48"w x 26"d x 19"h



•••  
• **Hayworth Console Table**  
• #HHCN  
• 54"w x 18 1/4"d x 29"h



# HIGHLAND *Collection*

## COLLECTION FEATURES

- 1" tops
- Dovetailed, maple drawers
- Premium soft-close, undermount drawer glides
- W-2 hardware is standard

## COLLECTION OPTIONS

- Distressed finish (#2D)
- Hand-planed tops (#HPD)
- Two-tone finish (#2TN)
- Hardware options  
(see Features & Options)

•••  
• **Highland Sofa Table**  
• #21-2504  
• 52"w x 19"d x 30"h



•••  
• **Highland Sofa Table with Drawers**  
• #21-2504DRX  
• 52"w x 19"d x 30"h



•••  
• **Highland End Table**  
• #21-2501  
• 20"w x 25"d x 23"h



•••  
• **Highland End Table with Drawer**  
• #21-2501DRX  
• 20"w x 25"d x 23"h



All items shown in  
Quartersawn Oak with  
#32 Michaels finish

# HIGHLAND

*Collection*

CONTINUED...

All items shown in  
Quartersawn Oak with  
#32 Michaels finish



• Highland Wedge  
• End Table  
• #21-2502  
• 24" w x 26" d x 23" h  
• (14" W Front Wedge)



• Highland Round Table  
• #21-2505  
• 28" RND x 26"



• Highland Coffee Table  
• #21-2503  
• 52" w x 25" d x 18" h

• Highland Coffee Table  
• with Drawers  
• #21-2503DRX  
• 52" w x 25" d x 18" h



# McKENLEY

*Collection*

**COLLECTION FEATURES**

- 1" thick tops
- Solid hardwood construction
- Steam-bent apron

**COLLECTION OPTIONS**

- Distressed finish (#2D)
- Hand-planed tops (#HPD)
- Two-tone finish (#2TN)



• McKenley 38" Coffee Table  
• #10MNRCT  
• 38" round x 20" h



• McKenley 50" Coffee Table  
• #10MNCT  
• 50" w x 32" d x 20" h



• McKenley End Table  
• #10MNET  
• 26" round x 26" h



• McKenley Sofa Table  
• #10MNST42  
• 42" w x 17" d x 31" h



# MEMPHIS (CLOSED)

## Collection

### COLLECTION FEATURES

- 1" thick reverse-bevel tops
- Fully inset drawer & door fronts
- I-9 knobs
- Soft-close drawers & doors

### COLLECTION OPTIONS

- Distressed finish (#2D)
- Hand-planed tops (#HPD)
- Two-tone finish (#2TN)

See matching Memphis pieces in the Entertainment section.



#### Memphis Closed End Table

#4MYET  
22" w x 20" d x 22" h

#### Memphis Closed Coffee Table

#4MYCT  
42" w x 22" d x 17 1/2" h

#### Memphis Closed Sofa Table

#4MYST  
48" w x 16" d x 29 1/2" h



# MEMPHIS (CLOSED)

## Collection

### COLLECTION FEATURES

- 1" thick reverse-bevel tops
- Fully inset drawer fronts
- Arched top aprons
- I-9 knob
- Soft-closing, full-extension, undermount drawer guides

### COLLECTION OPTIONS

- Distressed finish (#2D)
- Hand-planed tops (#HPD)
- Two-tone finish (#2TN)

See matching Memphis pieces in the Entertainment section.



#### Memphis Open Coffee Table

#4MYOCT  
48" w x 28" d x 17 1/2" h

#### Memphis Open Sofa Table

#4MYOST  
54" w x 16" d x 29 1/2" h

#### Memphis Open 23" End Table

#4MYOET23  
23" w x 26" d x 24" h

#### Memphis Open 16" End Table

#4MYOET16  
16" w x 26" d x 24" h



# SCOTTSDALE (CLOSED) *Collection*

## COLLECTION FEATURES

- 1" thick tops
- Fully inset, soft-close drawers & doors
- Exposed tenons on legs
- 1-9 knobs

## COLLECTION OPTIONS

- Distressed finish (#2D)
- Hand-planed tops (#HPD)
- Two-tone finish (#2TN)



• **Scottsdale 20" End Table**  
• #4SLET20  
• 20"w x 22"d x 22"h

• **Scottsdale 16" End Table**  
• #4SLET16  
• 16"w x 22"d x 22"h

• **Scottsdale Coffee Table**  
• #4SLCT  
• 42"w x 22"d x 17 1/2"h

• **Scottsdale Sofa Table**  
• #4SLST  
• 48"w x 16"d x 29 1/2"h

# SCOTTSDALE (CLOSED) *Collection*

## COLLECTION FEATURES

- 1" thick tops
- Fully inset, soft-close drawers
- Exposed tenons on legs
- 1-9 knobs

## COLLECTION OPTIONS

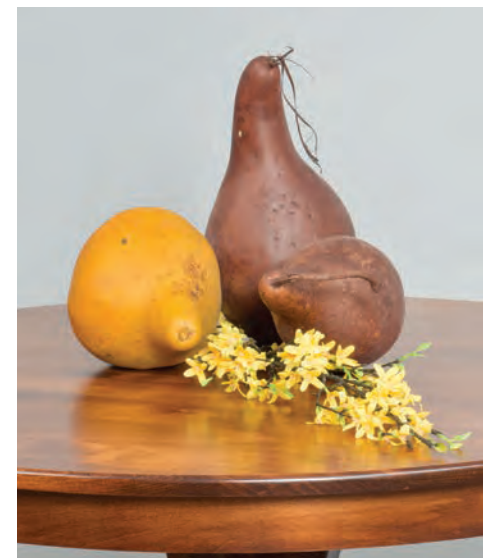
- Lift-Top on coffee table
- Distressed finish (#2D)
- Hand-planed tops (#HPD)
- Two-tone finish (#2TN)



• **Scottsdale Open Sofa Table**  
• #4SLOST  
• 54"w x 16"d x 29 1/2"h

• **Scottsdale Open Coffee Table**  
• #4SLOCT  
• 48"w x 28"d x 17 1/2"h

• **Scottsdale Open End Table**  
• #4SLOET  
• 22"w x 24"d x 22"h



# SIMPLICITY Collection

## COLLECTION FEATURES

- 1" tops
- Dovetailed, maple drawers
- Premium soft-close, undermount drawer glides
- Features a walnut bowtie inlay in tops
- Drawer front cutout as the hardware

All items are shown in Brown Maple wood with #99 Toffee finish

## COLLECTION OPTIONS

- Distressed finish (#2D)
- Hand-planed tops (#HPD)
- Two-tone finish (#2TN)



•  
•  
• **Simplicity  
Cocktail Table**  
• #51-2503  
• 48" w x 26" d x 19" h



•  
•  
• **Simplicity  
Chairside Table**  
• #51-2501  
• 18" w x 25" d x 24" h



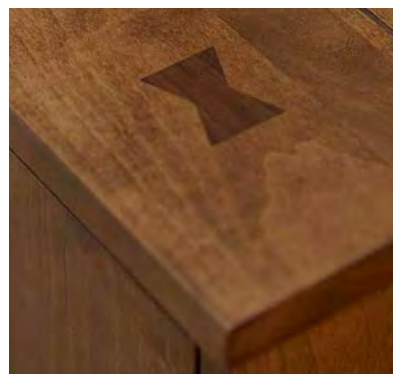
•  
•  
• **Simplicity  
End Table**  
• #51-2502  
• 22" w x 27" d x 23" h



•  
•  
• **Simplicity  
2 Drawer Desk**  
• #51-2801  
• 50" w x 18" d x 30" h



•  
•  
• **Simplicity  
Console Table**  
• #51-2504  
• 50" w x 18" d x 30" h



Tops features **Walnut Inlays**



Bottom frames feature  
**Walnut boards** as standard

•  
•  
• **Simplicity Club Chair**  
• 42 1/2" w x 38" d x 39" h  
• #SPCCF- Fabric  
• #SPCCL- Leather



•  
•  
• **Simplicity Ottoman**  
• 25" w x 15" d x 17" h  
• #SPONF- Fabric  
• #SPONL- Leather



•  
•  
• **Simplicity Loveseat**  
• 60" w x 38" d x 39" h  
• #SPLSF- Fabric  
• #SPLSL- Leather



•  
•  
• **Simplicity Sofa**  
• 84" w x 38" d x 39" h  
• #SPSAF- Fabric  
• #SPSAL- Leather



All arms feature a  
**Walnut Bowtie Inlay**

•  
•  
• **Simplicity Morris Chair**  
• 35" w x 37 3/4" d x 44" h  
• #SPMCF- Fabric  
• #SPMCL- Leather



# SOMA

## Collection

All items are shown in Brown Maple wood with #113 Oatmeal finish.

### COLLECTION FEATURES

- 1" tops
- Dovetailed, maple drawers
- Premium soft-close, undermount drawer glides
- SO-1 hardware

### COLLECTION OPTIONS

- Distressed finish (#2D)
- Hand-planed tops (#HPD)
- Two-tone finish (#2TN)
- Hardware options (see Features & Options)



•••••  
**Soma End Table**  
 #SET  
 24" w x 28" d x 24" h



•••••  
**Soma Sofa Table**  
 #SST  
 64" w x 16" d x 29 1/2" h



•••••  
**Soma Console**  
 #SCT  
 72" w x 14" d x 24" h



•••••  
**Soma Coffee Table**  
 #SCFT  
 48" w x 18" d x 28" h

ENTERTAINMENT COLLECTIONS

Whatever your available space, whatever feature you desire, whatever persona you want to add to your room's decor, Fusion Designs offers a media center that's adaptable to your needs.

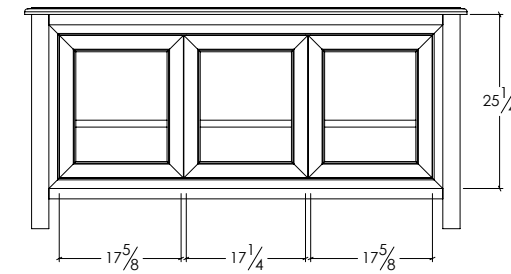
## PERFECT FIT AND FUNCTION.

All our beautiful cabinets, hutches, towers, and free-standing fireplace cabinets are crafted to provide an aesthetically pleasing look and long-lasting use.



# Media Consoles

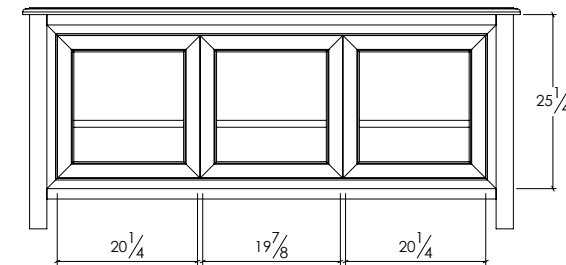
## BEACON HILL



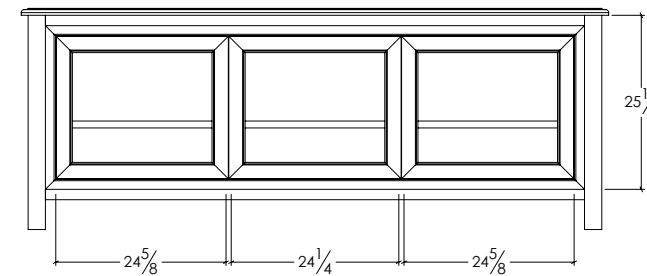
• • • • •  
**Beacon Hill 64" Entertainment Console**  
 #BHTV64  
 • 64" w x 19" d x 32" h

- COLLECTION FEATURES**
- Constructed using solid wood
  - Dovetailed, solid wood drawer boxes
  - Soft closing doors
  - BHP Hardware
  - 2 Adjustable shelves behind doors

- COLLECTION OPTIONS**
- Hardware options (see Features & Options)



• • • • •  
**Beacon Hill 72" Entertainment Console**  
 #BHTV72  
 • 72" w x 19" d x 32" h



• • • • •  
**Beacon Hill 85" Entertainment Console**  
 #BHTV85  
 • 85" w x 19" d x 32" h



# Media Consoles

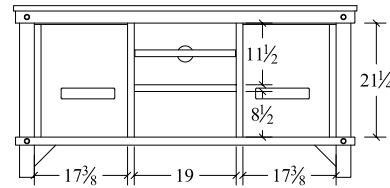
## CEDAR LAKES

### COLLECTION FEATURES

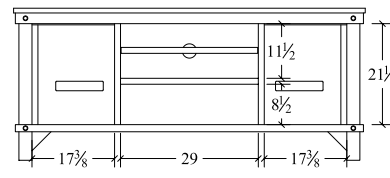
- Iron Bolt Detail
- Constructed using solid wood
- Dovetailed, solid wood drawer boxes
- Undermount, soft-closing drawers

### COLLECTION OPTIONS

- Hardware Options  
(see Features & Options page)



• Cedar Lakes 64" Entertainment Console  
• #CLTV64  
• 64" w x 19" d x 32" h



• Cedar Lakes 74" Entertainment Console  
• #CLTV74  
• 74" w x 19" d x 32" h

• Cedar Lakes 74" Console Hutch  
• #CL74H  
• 73 1/2" w x 12" d x 48" h

• Cedar Lakes 64" Console Hutch  
• #CL64H  
• 63 1/2" w x 12" d x 48" h



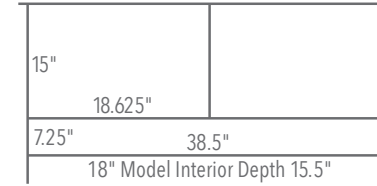
## MASON

### COLLECTION FEATURES

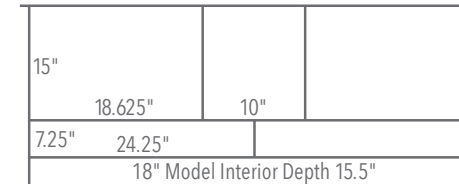
- Dovetailed solid wood drawers
- Soft-close doors & drawers
- 1" thick tops
- 1 CD/DVD accessible drawer
- Smoked glass mullion doors
- 1 adjustable shelf in each door
- W-1/W-2 hardware

### COLLECTION OPTIONS

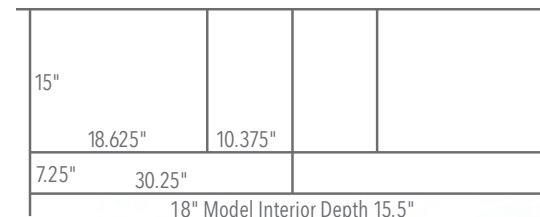
- Hardware options (see Features & Options)



• Mason 49" Entertainment Console  
• #4MOTVS1/2  
• 49" w x 18" d x 29 1/2" h



• Mason 60" Entertainment Console  
• #4MOTVS2/3  
• 60" w x 18" d x 29 1/2" h



• Mason 72" Entertainment Console  
• #4MOTVS72  
• 72" w x 18" d x 29 1/2" h



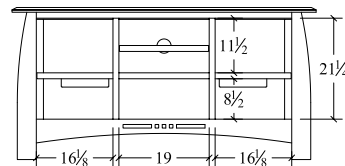
## HAYWORTH

### COLLECTION FEATURES

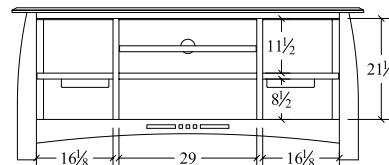
- Constructed using solid wood
- Dovetailed, solid wood drawer boxes
- Undermount, soft-closing drawers
- Ebony Wood Inlay
- N-14 Black Hardware

### COLLECTION OPTIONS

- Hardware Options  
(see Features & Options page)
- No Inlay



• Hayworth 64" Entertainment Console  
• #HHTV64  
• 64" w x 19" d x 32" h



• Hayworth 74" Entertainment Console  
• #HHTV74  
• 74" w x 19" d x 32" h



# Media Consoles

## MEMPHIS

### COLLECTION FEATURES

- Dovetailed solid wood drawers
- Soft-close doors & drawers
- I-9 hardware

### Tower Unit Features

- 2 glass shelves behind each door
- 1 file accessible drawer
- 1 CD/DVD accessible drawer
- 1 touch light system per unit

### Media Unit Features

- 2 CD/DVD accessible drawers
- 1 adjustable shelf behind each door
- KV ball bearing, full-extension slides
- Smoked glass in doors

### COLLECTION OPTIONS

- Hardware Options  
(see Features & Options page)

Note: Individual Entertainment Center pieces are pushed up against each other and are not fastened.

See matching Memphis pieces in the Occasionals section.

15"	18.625"	10.375"	
7.25"	30.25"	18" Model Interior Depth 15.5"	

15"	18.625"	10"	
7.25"	24.25"	18" Model Interior Depth 15.5"	

15"	18.625"	
7.25"	38.5"	18" Model Interior Depth 15.5"



• **Memphis 49" Media Console**  
#4MYTVS49  
49"w x 18"d x 29 1/2"h

• **Memphis 60" Media Console**  
#4MYTVS60  
60"w x 18"d x 29 1/2"h

• **Memphis 72" Media Console**  
#4MYTVS72  
72"w x 18"d x 29 1/2"h

## SOMA

### COLLECTION FEATURES

- Constructed using solid wood
- Dovetailed, solid wood drawer boxes
- Soft closing doors
- SO-1 Knob hardware
- 1 shelf behind each door

### COLLECTION OPTIONS

- Hardware options  
(see Features & Options)



All items are shown in Brown Maple wood with #113 Oatmeal finish.

- **Soma Open 60" Console**  
#SOET60  
60"w x 18"d x 30"h
- **Soma Open 72" Console**  
#SOET72  
72"w x 18"d x 30"h
- **Soma Closed 60" Console**  
#SCET60  
60"w x 18"d x 30"h
- **Soma Closed 72" Console**  
#SCET72  
72"w x 18"d x 30"h



# Media Consoles

## VILLA

### COLLECTION FEATURES

- Constructed using solid wood
- Dovetailed drawers
- Side mounted, full extension drawer guides
- Removable backs
- Vented adjustable shelves & floors
- Soft-close doors

### COLLECTION OPTIONS

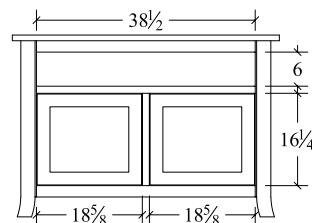
- Flip down glass door (#OGD)
- Hardware Options (see Features & Options page)
- Drawer in place of sound bar opening (#OD)

See Features & Options page for details

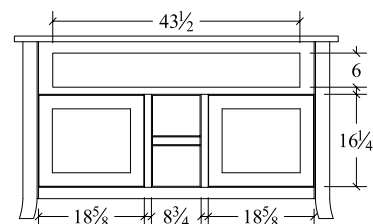
Villa Consoles shown in Rustic Cherry with #50 S-14



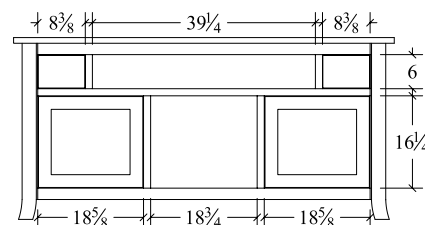
• • • **Villa 47" Media Console**  
• • • #VATV47  
• • • 47" w x 21" d x 32" h



• • • **Villa 57" Media Console**  
• • • #VATV57  
• • • 57" w x 21" d x 32" h



• • • **Villa 67" Media Console**  
• • • #VATV67  
• • • 67" w x 21" d x 32" h



# OFFICE COLLECTIONS

Our office furniture reflects the growing enthusiasm in a crafted furniture experience for the home. With talented Amish artisans using time-honored techniques passed down through generations, these are timeless pieces will never pass out of style.

**FURNITURE  
MEANT TO BE ENJOYED  
FOR GENERATIONS.**

# OFFICE COLLECTIONS

## *Bollingbrook*

• **Bollingbrook Upholstered Chair**  
 • #BBACF  
 • Overall: 23" w x 25" d x 33" h  
 • Seating: 20" w x 18" d  
 • Seat Height: 19"  
 • Back Height from Seat: 14"



## *Livonia Channel Back*

• **Livonia Channel Back Upholstered Chair**  
 • #LVACCF  
 • 25" w x 20" d x 37" h  
 • – Fabric #LVACCF  
 • – Leather #LVACCL



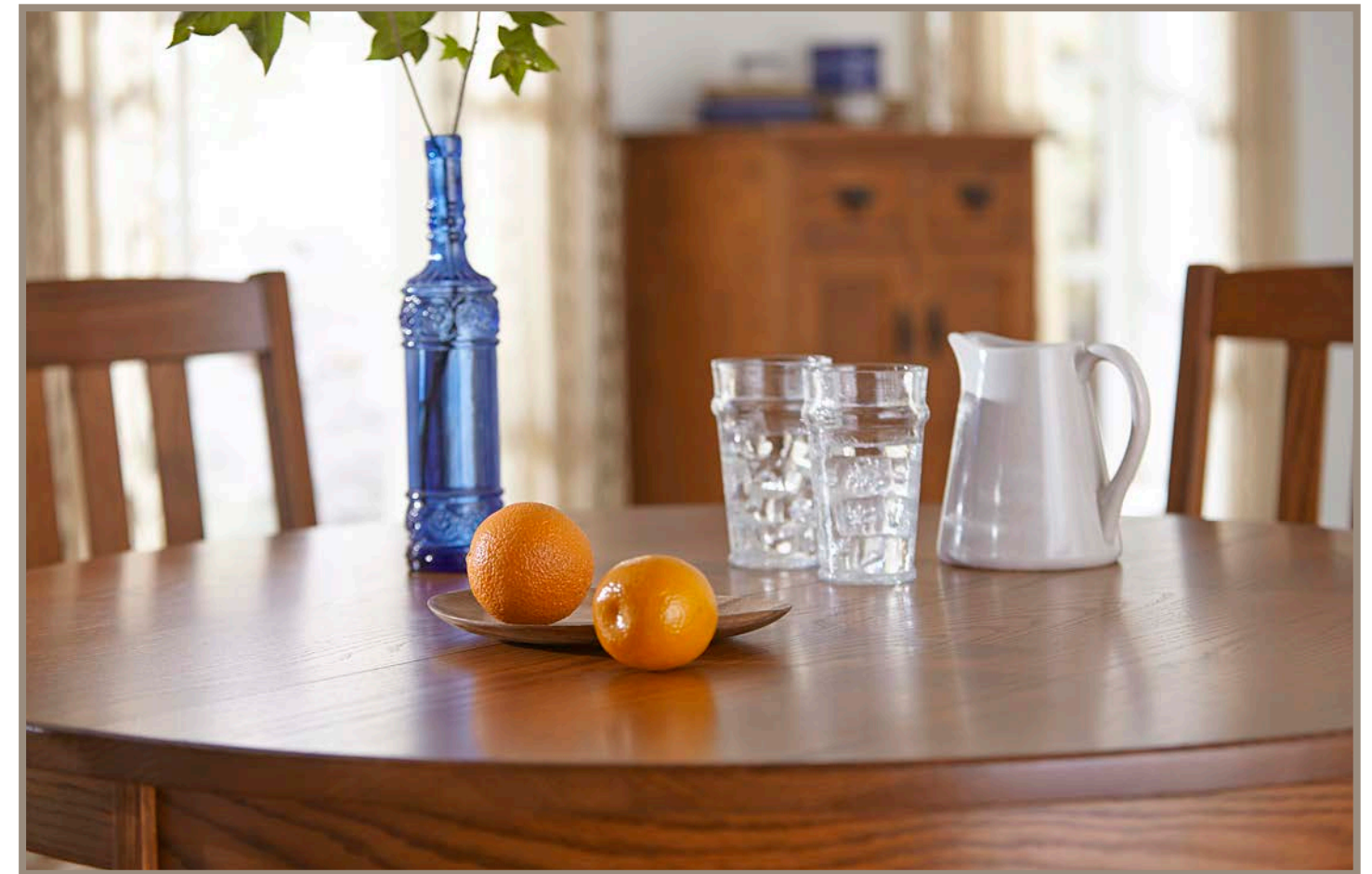
## *Cheyenne*

• **Cheyenne Upholstered Side Chair**  
 • #CYSCF  
 • Overall: 19" w x 22 1/2" d x 35" h  
 • Seating: 19" w x 16 1/2" d  
 • Seat Height: 19 1/2"  
 • Back Height from Seat: 17"

• **Cheyenne Upholstered Arm Chair (not shown)**  
 • #CYACF  
 • Overall: 19" w x 22 1/2" d x 35" h  
 • Seating: 19" w x 16 1/2" d  
 • Seat Height: 19 1/2"  
 • Back Height from Seat: 17"



• **Cheyenne Upholstered Desk Chair**  
 • #CYDACF  
 • Overall: 19" w x 22 1/2" d x 35" h  
 • Seating: 19" w x 16 1/2" d  
 • Seat Height: 19 1/2"  
 • Back Height from Seat: 17"



# OFFICE COLLECTIONS

## Simplicity

### COLLECTION FEATURES

- Constructed using solid wood
- Dovetailed, solid wood drawer boxes
- Walnut bowtie inlays
- Side mount slides are used for superior strength
- Locks on file drawers
- USB features
- Electrical port on desk
- Flip down keyboard drawers
- Docking power stations
- Finished back panels
- Adjustable shelves in bookshelves
- Select pieces feature walnut bases as a standard



**Simplicity Desk  
w/ 2 Drawers**

#51-2801

50" w x 18" d x 30" h

Shown in Brown Maple wood  
with #99 Toffee finish.



**Simplicity Adjustable**

**60" Desk**

#SPDK60A

60" w x 24" d x 24 1/2 - 50" h

Features

electronic control module with 4

preset height adjustments and a plug

in power strip



Features **Bowtie Inlays**  
as standard



**Simplicity File Cabinet**

#SPFC2D, 2-Drawer

17" w x 25" d x 35" h

Shown in Brown Maple wood  
with #103 Dew finish

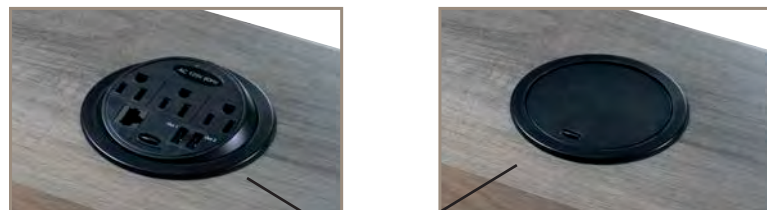
**Simplicity 72" Bookshelf**

#SPBK72, 5 Shelves

40" w x 14 1/2" d x 72" h



Walnut base is standard



**Simplicity 66" Drawer Desk**

#SPDK66DT

66" w x 30" d x 30" h

Shown in Brown Maple wood  
with #103 Dew finish



Flip Down Keyboard Drawers



Adjustable shelf

Walnut base  
is standard

**Simplicity Desk Hutch**

#SPTP60

60" w x 16" d x 42" h

#SPTP66

66" w x 16" d x 42" h

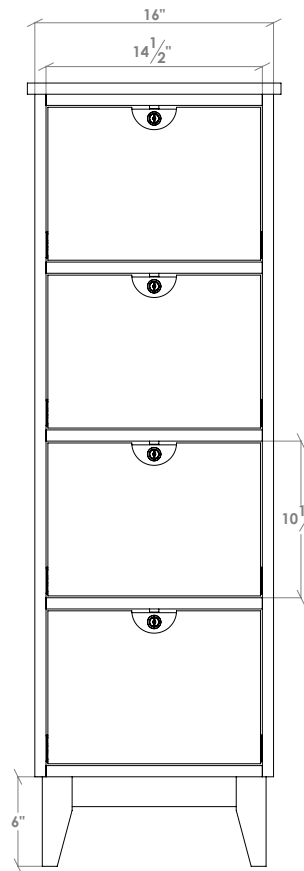
#SPTP72

72" w x 16" d x 42" h

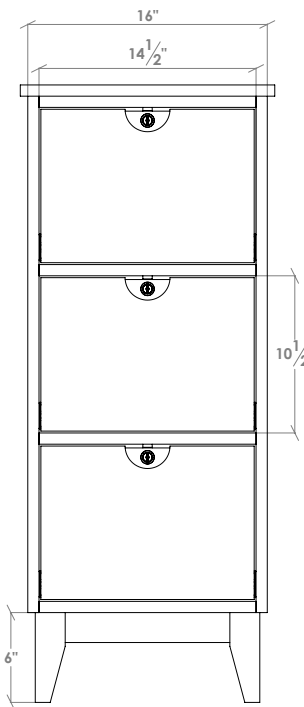
Shown in Brown Maple wood  
with #103 Dew finish

# OFFICE COLLECTIONS.....

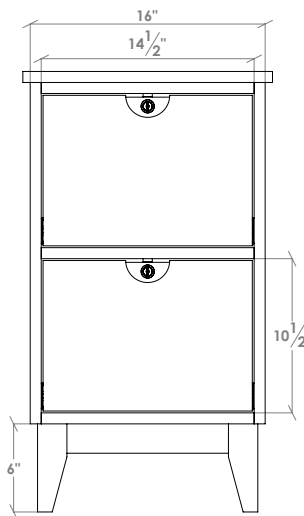
## *Simplicity Continued...*



- **Simplicity File Cabinet 4 Drawer**
- #SPFC4D
- 17" w x 25" d x 54" h

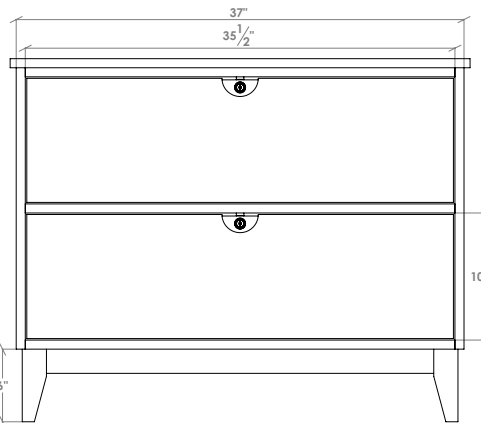
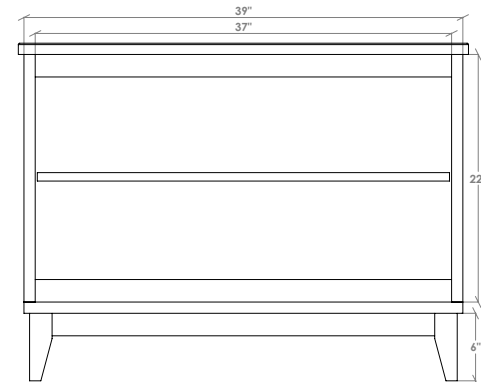


- **Simplicity File Cabinet 3 Drawer**
- #SPFC3D
- 17" w x 25" d x 45" h

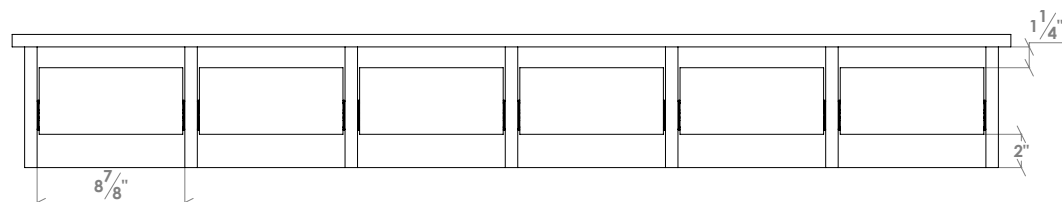


- **Simplicity File Cabinet 2 Drawer**
- #SPFC2D
- 17" w x 25" d x 35" h

- **Simplicity File Cabinet 2 Drawer**
- #SPFCL2
- 38" w x 21" d x 30" h



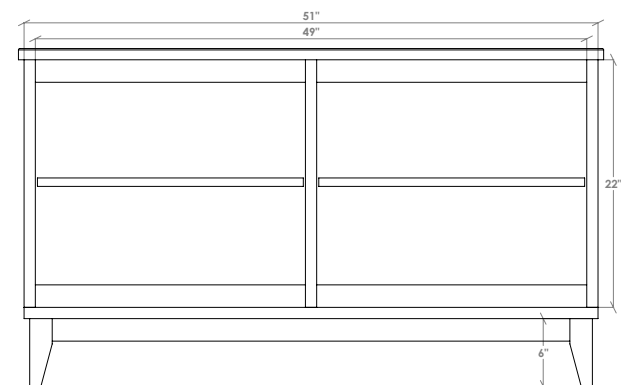
- **Simplicity Bookshelf**
- #SPBK30, 1 Shelf
- 40" w x 14 1/2" d x 30" h
- #SPBK36, 2 Shelves
- 40" w x 14 1/2" d x 36" h
- #SPBK48, 3 Shelves
- 40" w x 14 1/2" d x 48" h
- #SPBK60, 4 Shelves
- 40" w x 14 1/2" d x 60" d
- #SPBK72, 5 Shelves
- 40" w x 14 1/2" d x 72" h
- #SPBK78, 5 Shelves
- 40" w x 14 1/2" d x 78" h
- #SPBK84, 6 Shelves
- 40" w x 14 1/2" d x 84" h



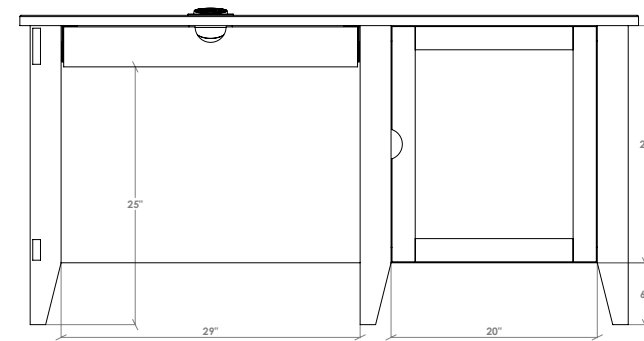
- **Simplicity 60" Desk Organizer**
- #SPDT60
- 60" w x 12 1/2" d x 8" h

- **Simplicity 66" Desk Organizer**
- #SPDT66
- 66" w x 12 1/2" d x 8" h

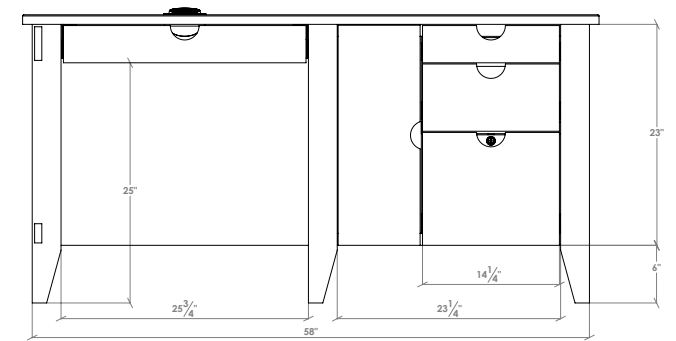
- **Simplicity 72" Desk Organizer**
- #SPDT72
- 72" w x 12 1/2" d x 8" h



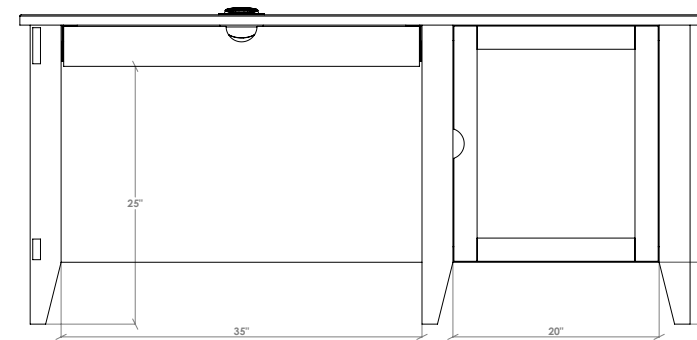
- **Simplicity Double Bookshelf**
- #SPDBK30, 1 Shelf
- 52" w x 14 1/2" d x 30" h
- #SPDBK36, 2 Shelves
- 52" w x 14 1/2" d x 36" h
- #SPDBK48, 3 Shelves
- 52" w x 14 1/2" d x 48" h
- #SPDBK60, 4 Shelves
- 52" w x 14 1/2" d x 60" d
- #SPDBK72, 5 Shelves
- 52" w x 14 1/2" d x 72" h
- #SPDBK78, 5 Shelves
- 52" w x 14 1/2" d x 78" h
- #SPDBK84, 6 Shelves
- 52" w x 14 1/2" d x 84" h



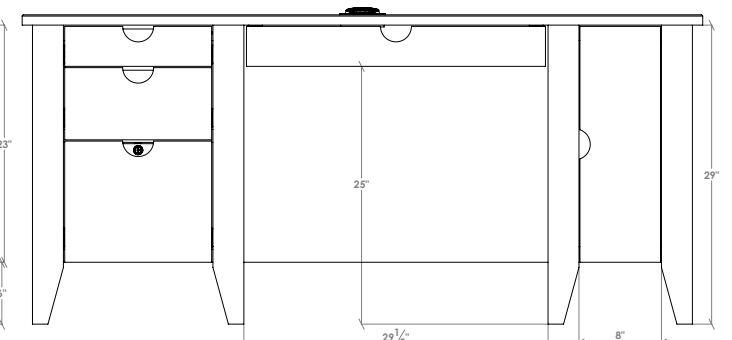
- **Simplicity 60" Door Desk**
- #SPDK60DR
- 60" w x 30" d x 30" h



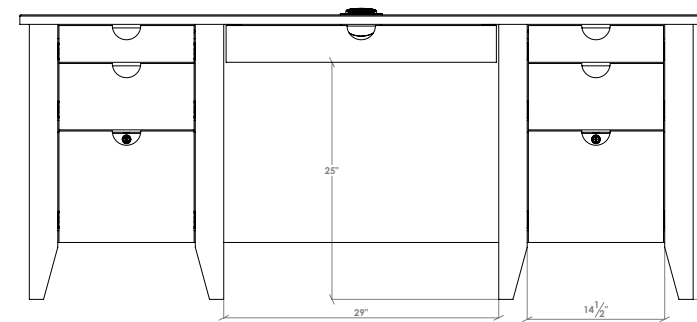
- **Simplicity 60" Drawer Desk**
- #SPDK60DT
- 60" w x 30" d x 30" h



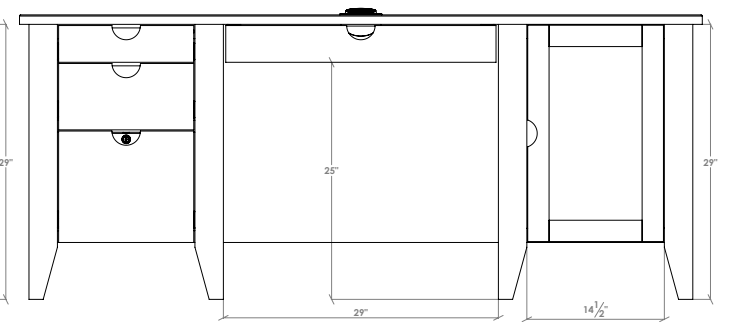
- **Simplicity 66" Media Door Desk**
- #SPDK66DR
- 66" w x 30" d x 30" h



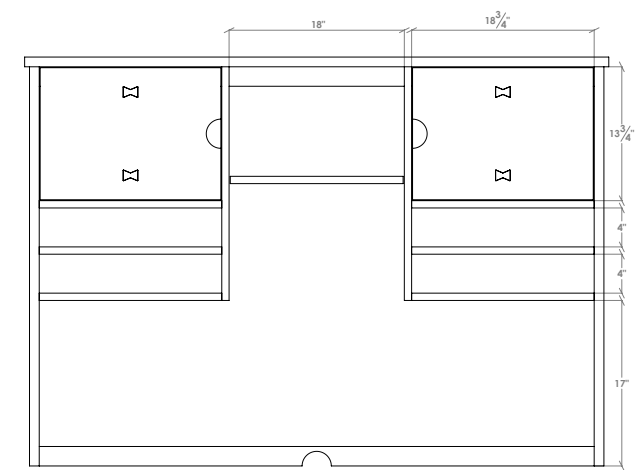
- **Simplicity 66" Media Drawer Desk**
- #SPDK66MD
- 66" w x 30" d x 30" h



- **Simplicity 72" Drawer Desk**
- #SPDK72DT
- 72" w x 30" d x 30" h



- **Simplicity 72" Door Desk**
- #SPDK72DR
- 72" w x 30" d x 30" h



- **Simplicity Desk Hutch**
- #SPTP60
- 60" w x 16" d x 42" h
- #SPTP66
- 66" w x 16" d x 42" h
- #SPTP72
- 72" w x 16" d x 42" h

# OFFICE COLLECTIONS.....

*Traditional*

**Traditional Bookcase** .....

#NC-2906  
36" x 14" x 72" .....

#NC-2905  
36" x 14" x 48" .....

#NC-2904  
36" x 14" x 36" .....

Shown in Oak wood with  
#33 Medium finish. ....



# BEDROOM OPTIONS

Romp in bed with the kids. Sleep in on Sunday morning. Beds made by Fusion Designs are rugged and solid, yet cradle you in restful comfort. While other companies say they still make their furnishings mostly by hand...

**WE ALWAYS WILL.  
THAT'S OUR  
PLEDGE TO YOU.**

High-grade hardwoods and proven finishes mean that you can trust your bedroom furniture will last for many years. In fact, we guarantee it!

# ADRIAN *Bedroom Collection*

## COLLECTION FEATURES

- Bevel-cut mirror
- Mortise & tenon joints
- Dovetailed solid wood drawers
- Soft-close full extension drawers
- Solid wood fully framed case goods
- 1" thick solid tops
- Cast dovetail bracket mattress support
- Two solid hardwood adjustable shelves on armoire
- Cedar-lined bottom drawer on chest
- Dividers in second row drawers on dressers
- N-14 Black hardware
- Mission edge is standard

## COLLECTION OPTIONS

- Hardware Options (see Features & Options page)
- Additional adjustable shelf for armoire (#AJS)
- Under bed storage unit
- Touch-switch LED night light (#LEDN)
- Night Stand available with sliding top, hidden compartment, lock & three-plug power strip (#STP)
- Armoire available with 1 hanger rod in place of 2 adjustable shelves
- Additional drawer dividers (#DD)
- Dresser drawer available with felt-lined jewelry tray (#SJT)
- Additional cedar-lined drawers (#CB)
- Docking drawer (#DKD)



• • •  
**Adrian 3-Drawer Nightstand**  
 #ANNS  
 27"w x 17"d x 30 1/2"h



Shown in Brown Maple with #51 Autumn Finish



• • •  
**Adrian 6-Drawer Chest**  
 #ANCD  
 40"w x 22"d x 53"h



• • •  
**Adrian Mirror**  
 #ANMR  
 42"w x 2"d x 41"h



• • •  
**Adrian 7-Drawer Dresser**  
 #AN7DR  
 66"w x 22"d x 36 1/2"h



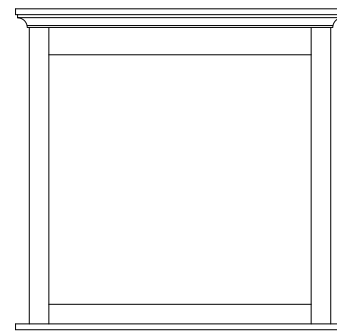
• • •  
**Adrian Bed**  
 Headboard 57"h  
 Footboard 30"h  
 #CANKB Cal King 79"w x 92"d,  
 #ANKB King 83"w x 88"d  
 #ANQB Queen 67"w x 88"d  
 #ANFB Full 61"w x 82"d

## ALTERNATIVE BED SUGGESTION:

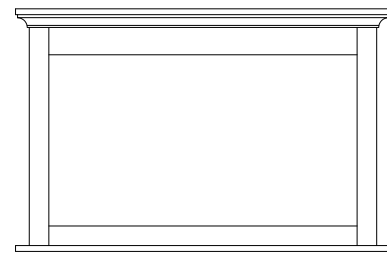
- Fulton Bed**  
 Headboard: 55"h  
 Footboard: 30"h  
 #CFLKB Cal. King: 81"w x 92 1/4"d  
 #FLKB King: 85"w x 88 1/4"d  
 #FLQB Queen: 69"w x 88 1/4"d  
 #FLFB Full: 63"w x 82 1/4"d



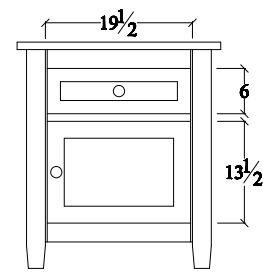
# ADRIAN BEDROOM COLLECTION SPECIFICATIONS



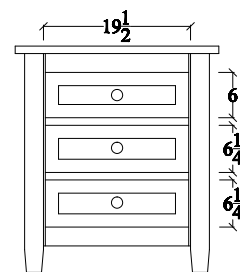
**Mirror (ANM42)**  
42w x 41h



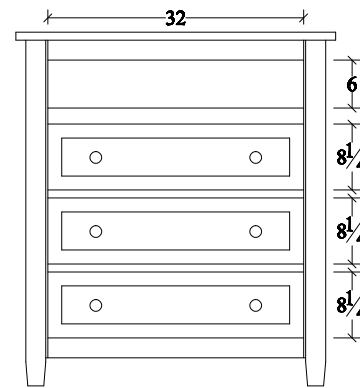
**Mirror (ANM48)**  
48w x 31h



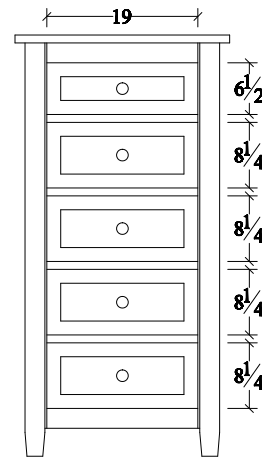
**Nightstand (ANNS11R)**  
1 door, 1 drawer  
27w x 17d x 30 1/2h



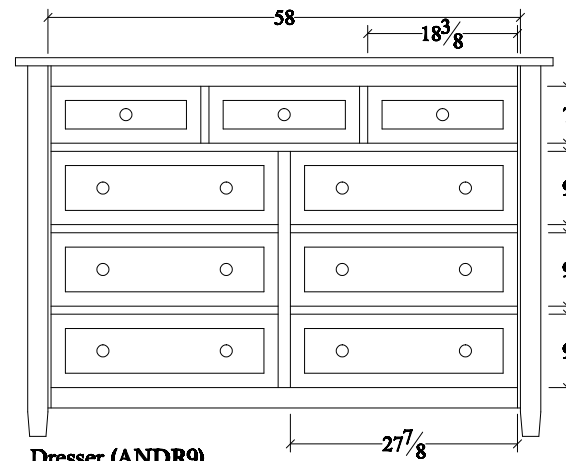
**Nightstand (ANNS3)**  
3 drawer  
27w x 17d x 30h



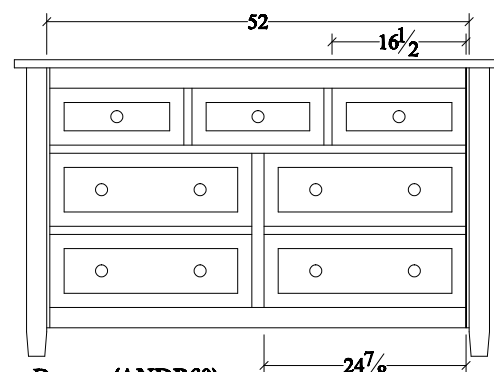
**Media Chest (ANMC)**  
3 drawer, 1 opening  
40w x 22d x 44 1/4h



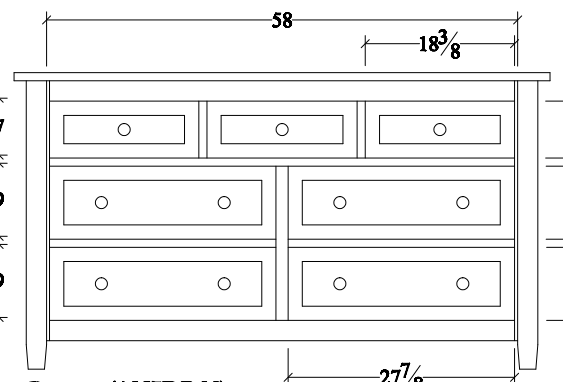
**Lingerie Chest (ANLC)**  
5 drawer  
27w x 17d x 53h



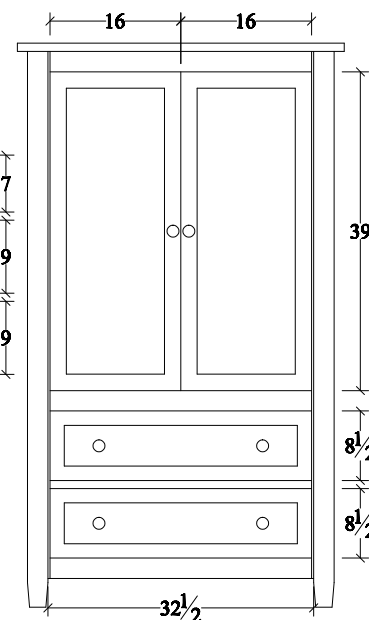
**Dresser (ANDR9)**  
9 drawer  
66w x 22d x 46 1/2 h



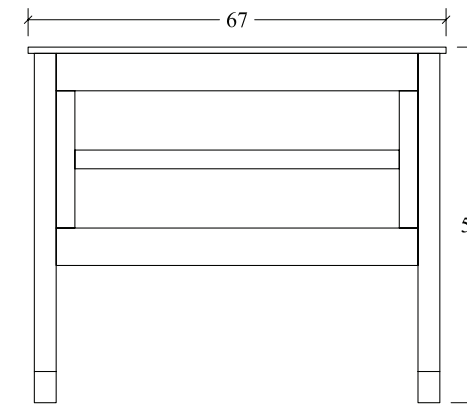
**Dresser (ANDR60)**  
7 drawer  
60w x 22d x 36 1/2 h



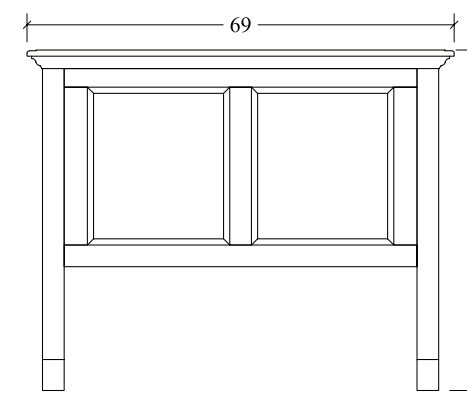
**Dresser (AN7DR66)**  
7 drawer  
66w x 22d x 36 1/2 h



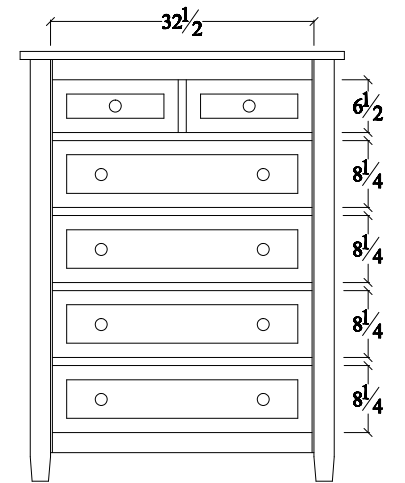
**Armoire (ANAR)**  
2 door, 2 drawer  
39w x 22d x 70h



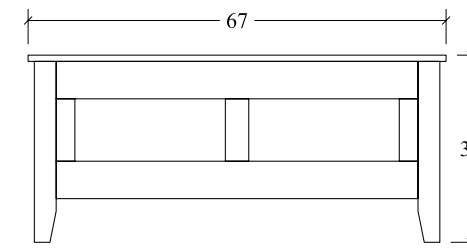
**Queen Headboard (ANQB)**  
67w x 57h



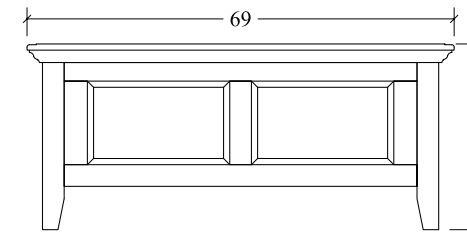
**Queen Headboard (FLQB)**  
69w x 55h



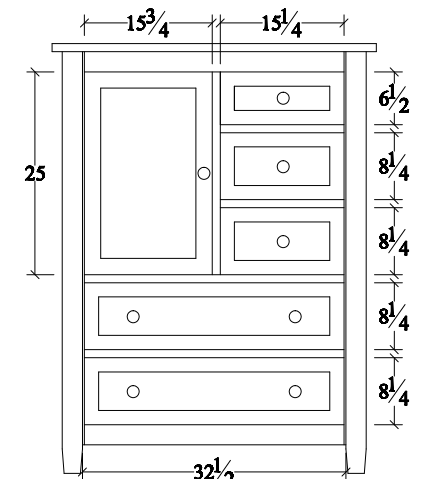
**Chest (ANCD)**  
6 drawer  
40w x 22d x 53h



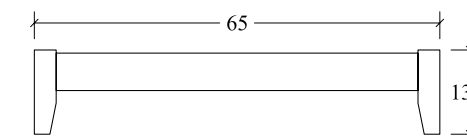
**Queen Footboard (ANQB)**  
67w x 30h



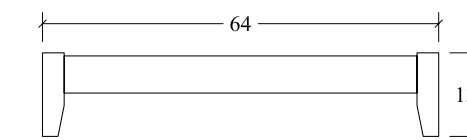
**Queen Footboard (FLQB)**  
69w x 30h



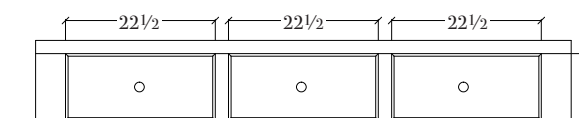
**Door Chest (ANDRC)**  
1 door, 5 drawer  
40w x 22d x 53h



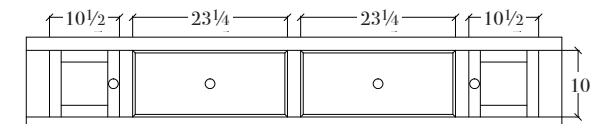
**Queen Low Footboard (ANQB)**  
65w x 13 1/2h



**Queen Low Footboard (FLQB)**  
64w x 13 1/2h



**Storage Rail**  
3 drawer  
14h  
See pricelist for underbed storage order info



**Storage Rail**  
2 door, 2 drawer  
14h  
See pricelist for underbed storage order info

# BEACON HILL *Bedroom Collection*

## COLLECTION FEATURES

- Fret Mirrors have bevel cut edges
- Constructed with mortise and tenon joints
- Cast dovetailed brackets support mattress
- Dovetailed solid wood drawers
- Soft-closing full extension undermount drawer guides
- Chest features a cedar lined drawer bottom
- Dresser features dividers in second row drawers
- Hardware not available on other collections

## COLLECTION OPTIONS

- Distressed Finish (#2D)
- Hardware Options - See hardware page in Features & Options section
- Underbed Storage Options
- LED nightlight (#LEDN)
- Docking drawer with power (#DKD)
- Additional drawer dividers for dressers (#DD)
- Dresser drawer available with felt lined jewelry tray (#SJT)
- Additional cedar lined drawers available (#CB)



- **Beacon Hill Bed**
- Headboard 64 1/2" h
- Footboard 38 1/2" h
- #BHKB King Bed 81" w x 87" d
- #BHQB Queen Bed 65" w x 87" d
- #BHFB Full Bed 59" w x 81" d
- #CBHKB Cal. King Bed 77" w x 91" d



- **Fret Bed**
- Headboard 65" h
- Footboard 18" h
- #FTKB King Bed 84" w x 86" d
- #FTQB Queen Bed 68" w x 86" d
- #FTFB Full Bed 62" w x 80" d
- #CFTKB Cal. King Bed 80" w x 90" d



- **Beacon Hill Drawer Chest**
- #BHCD
- 42" w x 19 1/2" d x 54 1/2" h



Hardware Details



- **Beacon Hill 2 Drawer Nightstand**
- #BHNS2
- 30" w x 17" d x 28" h



- **Beacon Hill 1 Drawer Nightstand**
- #BHNS1
- 28" w x 17" d x 28" h



- **Fret Bed Tall Footboard**
- Optional 29" h
- #2-FTTKB King
- #2-FTTQB Queen
- #2-FTTFB Full Bed
- #2-CFTTKB Cal. King

# BEACON HILL *Bedroom Collection*

CONTINUED...



Fret Mirror  
#BHFMR  
42" w x 36" h

Fret Tall Mirror  
#BHTFMR  
42" w x 46" h



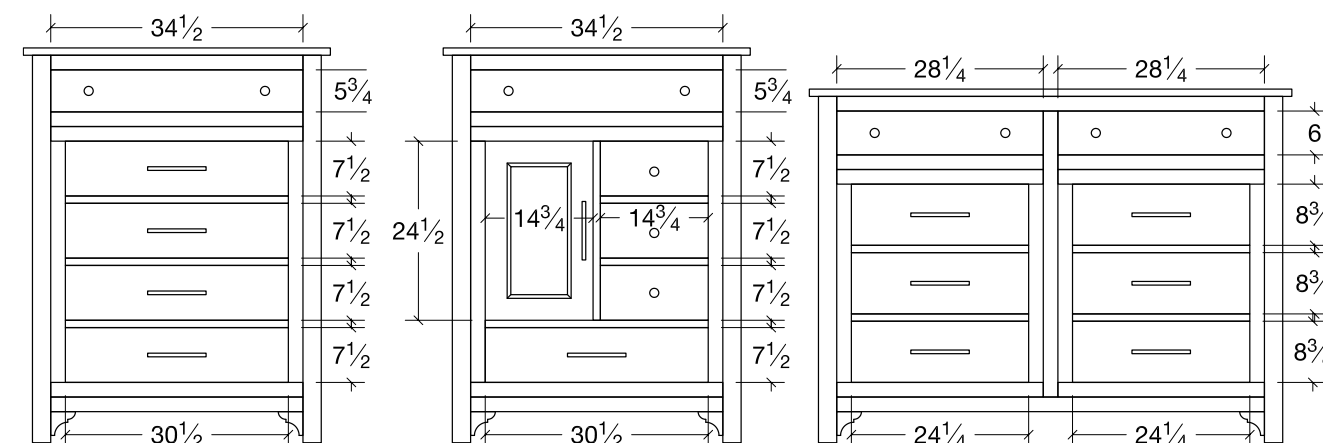
Beacon Hill Mirror  
#BHMR  
42" w x 42" h

Beacon Hill 6 Drawer 60" dresser  
#BH60DR  
60" w x 19 1/2" d x 39 1/2" h

Beacon Hill 6 Drawer 66" dresser  
#BH66DR  
66" w x 19 1/2" d x 39 1/2" h

Beacon Hill 8 Drawer 66" dresser  
(not shown)  
#BH8DR  
66" w x 19 1/2" d x 48 3/4" h

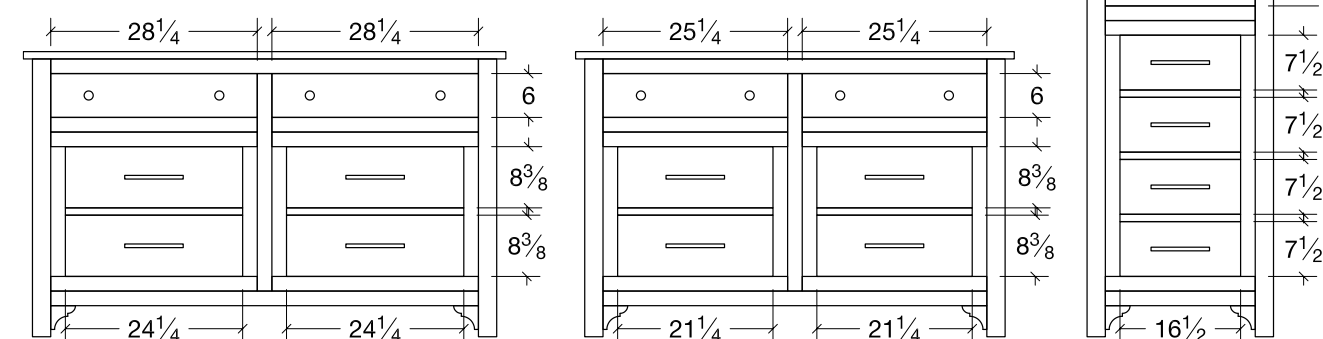
# BEACON HILL BEDROOM COLLECTION SPECIFICATIONS



Chest (BHCD)  
5 drawer  
42w x 19 1/2d x 54 1/2h

Door Chest (BHDC)  
5 drawer, 1 door  
42w x 19 1/2d x 54 1/2h

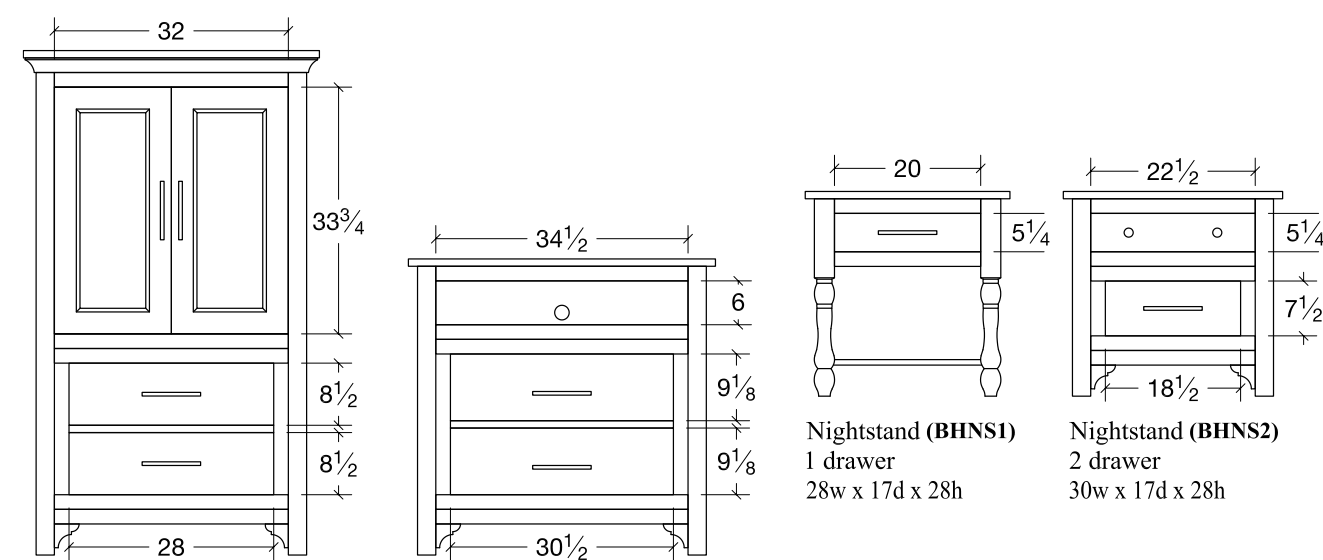
Dresser (BH8DR)  
8 drawer  
66w x 19 1/2d x 48 3/4h



Dresser (BH66DR)  
6 drawer  
66w x 19 1/2d x 39 1/2h

Dresser (BH60DR)  
6 drawer  
60w x 19 1/2d x 39 1/2h

Lingerie Chest (BHLC)  
5 drawer  
28w x 17d x 54 1/4h



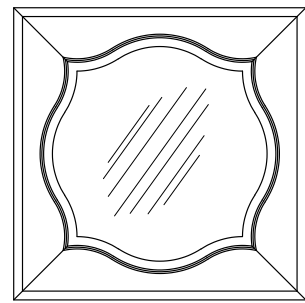
Armoire (BHAR)  
2 drawer, 2 door  
40 1/2w x 20 1/2d x 69h

Media Chest (BHMC)  
2 drawer  
42w x 19 1/2d x 40 1/2h

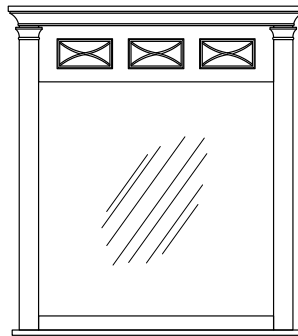
Nightstand (BHNS1)  
1 drawer  
28w x 17d x 28h

Nightstand (BHNS2)  
2 drawer  
30w x 17d x 28h

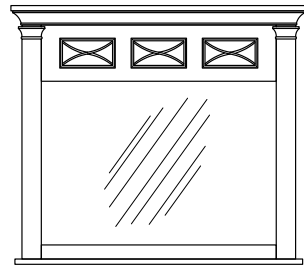
# BEACON HILL BEDROOM COLLECTION SPECIFICATIONS



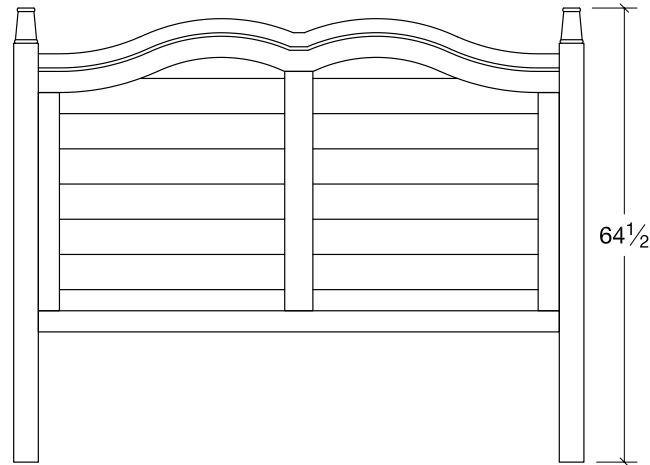
Mirror (BHMR)  
42w x 42h



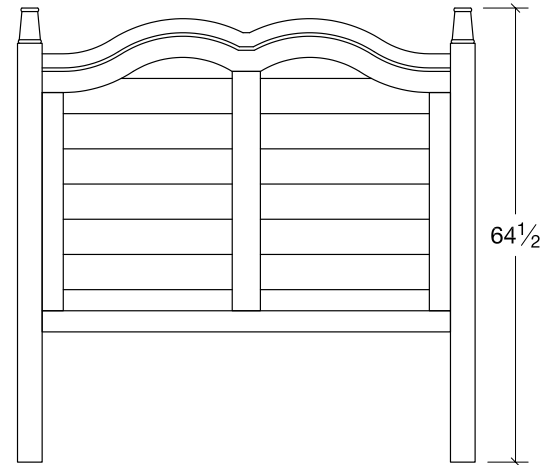
Mirror (BHTFMR)  
42w x 46h



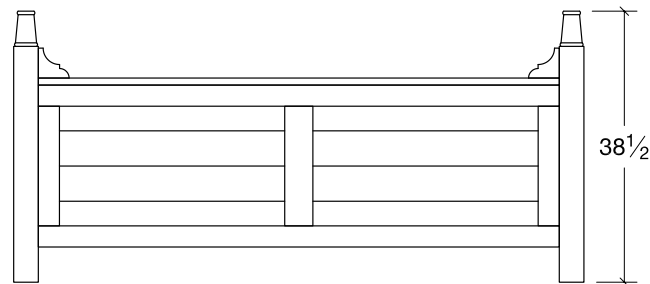
Mirror (BHFMR)  
42w x 36h



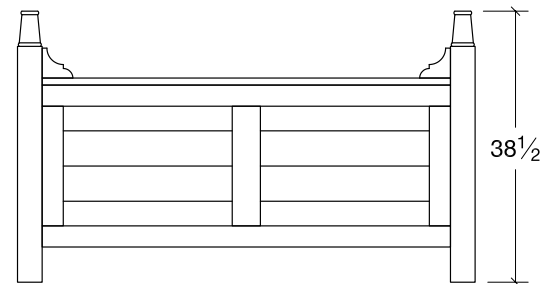
King Headboard (BHKB)  
81w x 64 1/2h



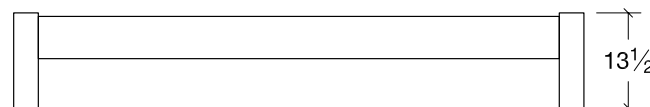
Queen Headboard (BHQB)  
65w x 64 1/2h



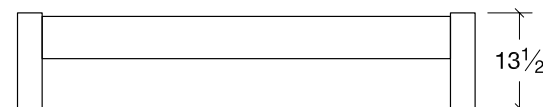
King Footboard (BHKB)  
81w x 38 1/2h



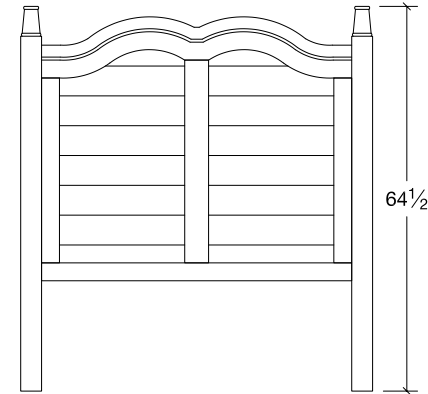
Queen Footboard (BHQB)  
65w x 38 1/2h



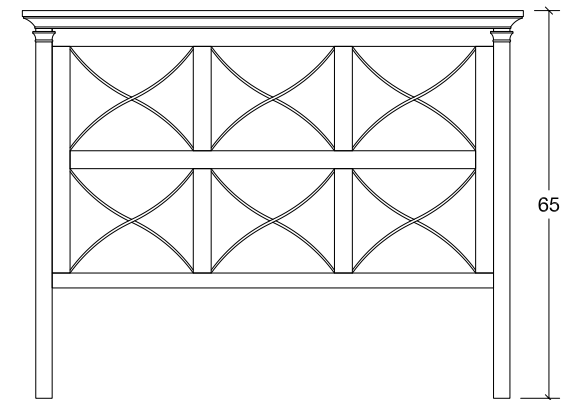
King Low Footboard (BHKB)  
81w x 13 1/2h



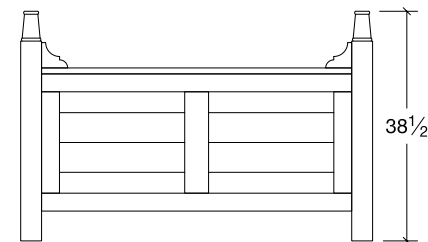
Queen Low Footboard (BHQB)  
65w x 13 1/2h



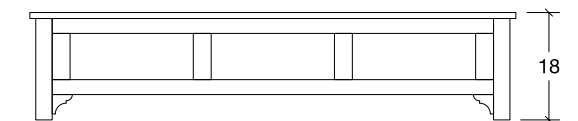
Full Headboard (BHKB)  
59w x 64 1/2h



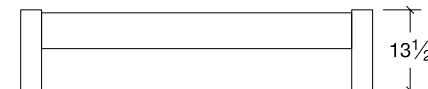
King Headboard (BHKFB)  
84w x 65h



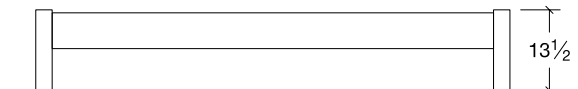
Full Footboard (BHKB)  
59w x 38 1/2h



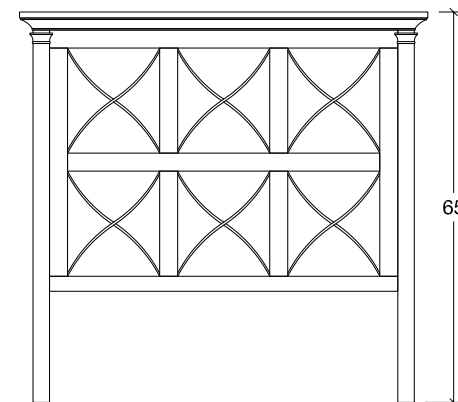
King Headboard (BHKFB)  
81 1/2w x 18h



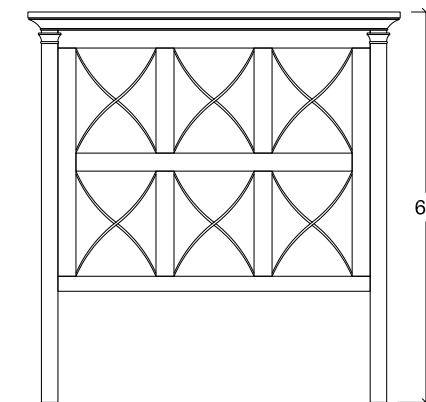
Full Low Footboard (BHKB)  
59w x 13 1/2h



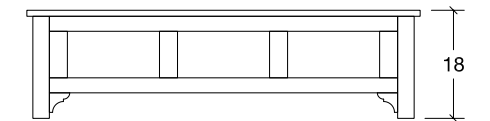
King Low Footboard (BHKFB)  
79 1/2w x 13 1/2h



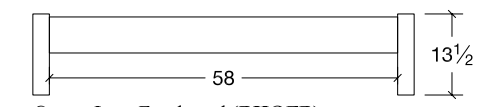
Queen Headboard (BHQFB)  
68w x 65h



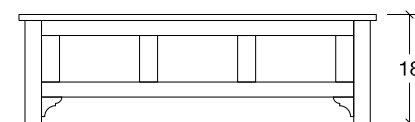
Full Headboard (BHFFB)  
62w x 65h



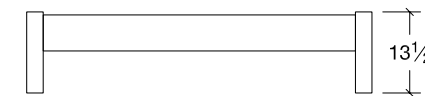
Queen Headboard (BHQFB)  
65 1/2w x 18h



Queen Low Footboard (BHQFB)  
63 1/2w x 13 1/2h



Full Headboard (BHFFB)  
59 1/2w x 18h



Full Low Footboard (BHFFB)  
57 1/2w x 13 1/2h

# BENNINGTON *Bedroom Collection*

## COLLECTION FEATURES

- Fully framed, solid hardwood case goods
- Constructed with mortise and tenon joints
- Cast dovetailed brackets support mattress
- Dovetailed solid wood drawers
- Full Extension, side mounted, ball bearing guides
- D-5 Black Iron Hardware is standard

## COLLECTION OPTIONS

- Distressed Finish (#2D)
- Hardware Options, See hardware page in Features & Options section
- Underbed Storage Options
- LED nightlight (#LEDN)



**Bennington 3-Drawer Night Stand**  
#BNNS3  
23"w x 17"d x 29 1/2"h



**Bennington Chest**  
#BNCD  
37"w x 21 1/2"d x 52 1/2"h



**Bennington Mirror**  
#BNMR  
43"w x 38 1/2"h

**Bennington 7-Drawer 60" Dresser**  
#BN7DR60  
60"w x 21 1/2"d x 38"h



**Bennington Slat Bed**  
Headboard: 64 1/2"h  
Footboard: 27 1/4"h  
#CBNKB Cal. King: 77"w x 91"d  
#BNKB King: 81"w x 87"d  
#BNQB Queen: 65"w x 87"d  
#BNFB Full: 59"w x 81"d

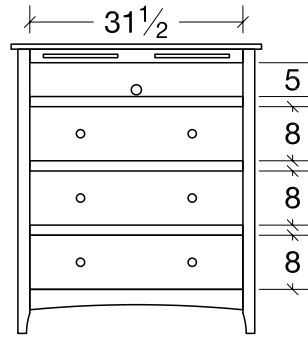


**Bennington Panel Bed**  
Headboard: 58"h  
Footboard: 28"h  
#CBNPKB Cal. King: 78"w x 92"d  
#BNPKB King: 82"w x 88"d  
#BNPQB Queen: 66"w x 88"d  
#BNPFB Full: 62"w x 80"d

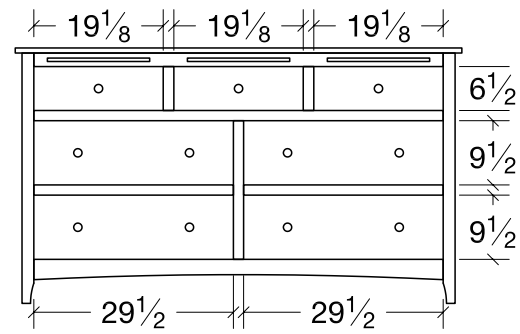


Shown in Rustic Hickory with 113 Oatmeal Finish

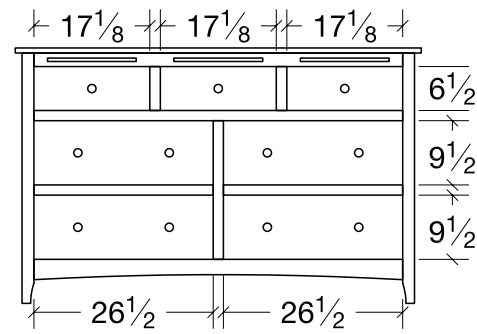
# BENNINGTON BEDROOM COLLECTION SPECIFICATIONS



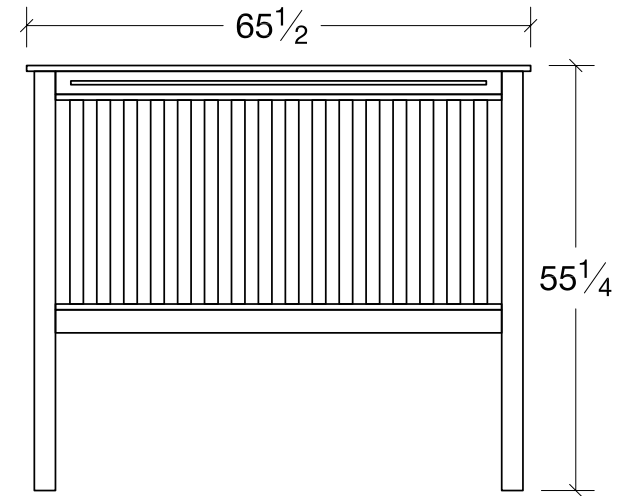
**BNMC**  
Bennington Media Chest  
3 Drawer, 1 Opening  
37w x 21 1/2d x 43h



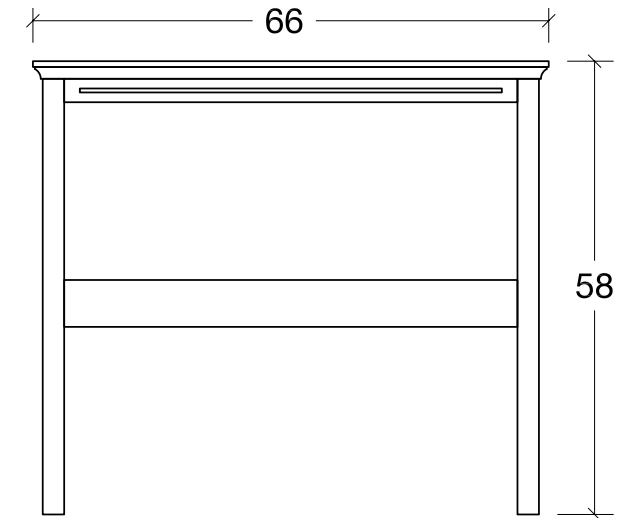
**BN7DR66**  
Bennington 66" Dresser  
7 Drawer  
66w x 21 1/2d x 38h



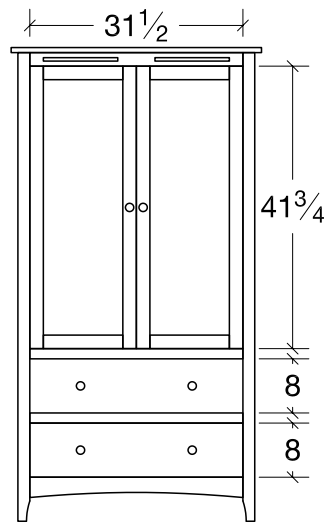
**BN7DR60**  
Bennington 60" Dresser  
7 Drawer  
60w x 21 1/2d x 38h



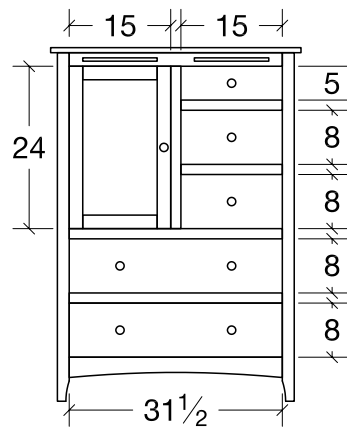
**BNQB**  
Queen Headboard  
65 1/2w x 55 1/4h



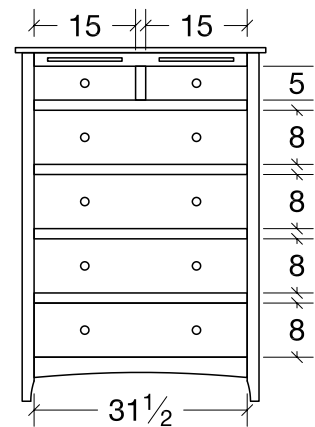
**BNPQB**  
Queen Headboard  
66w x 58h



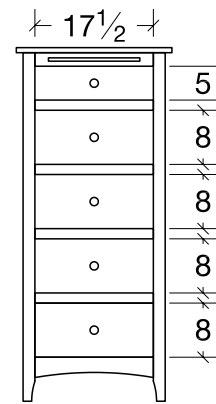
**BNAR**  
Bennington Armoire  
2 Drawer, 2 Door  
37w x 21 1/2d x 70h



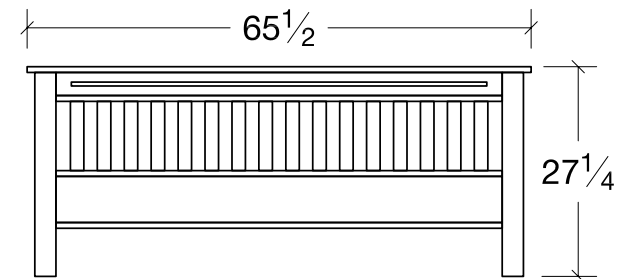
**BNDR66**  
Bennington Door Chest  
5 Drawer, 1 Door  
37w x 21 1/2d x 52 1/2h



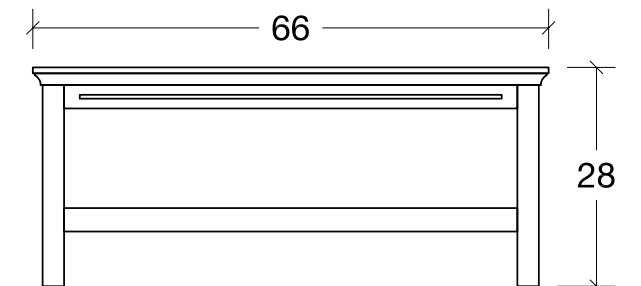
**BNCD**  
Bennington Chest  
6 Drawer  
37w x 21 1/2d x 52 1/2h



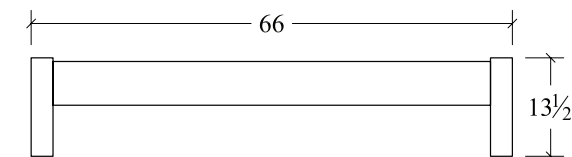
**BNLC**  
Bennington Lingerie Chest  
5 Drawer  
23w x 17d x 52 1/2h



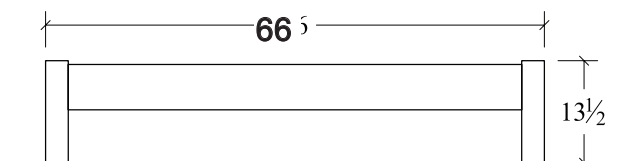
**BNQB**  
Queen Footboard  
65 1/2w x 27 1/4h



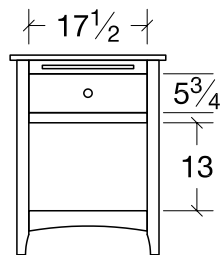
**BNPQB**  
Queen Footboard  
66w x 28h



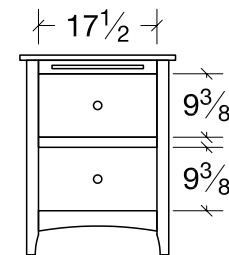
**Low Footboard Option**  
66w x 13 1/2h



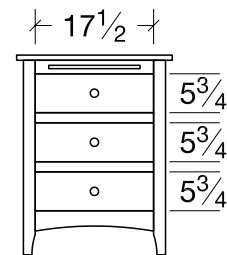
**Low Footboard Option**  
66w x 13 1/2h



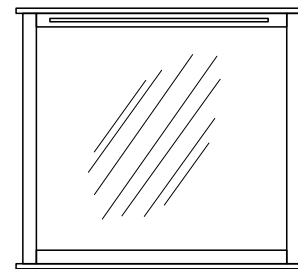
**BNNS1**  
Bennington Nightstand  
1 Drawer  
23w x 17d x 29 1/2h



**BNNS2**  
Bennington Nightstand  
2 Drawer  
23w x 17d x 29 1/2h



**BNNS3**  
Bennington Nightstand  
3 Drawer  
23w x 17d x 29 1/2h



**BNMR**  
Bennington Mirror  
43w x 38 1/2h

# BUNGALOW *Bedroom Collection*

## COLLECTION FEATURES

- Mirrors have bevel cut edges
- Constructed with mortise and tenon joints
- Dovetailed, solid Cedar wood drawers
- Soft-closing, full extension, undermount drawer guides
- Measurements are to the tops of the backplash on the case goods

## COLLECTION OPTIONS

- Low footboard option
- Distressed finish (#2D)
- Hardware options (see Features & Options page)
- Underbed storage options

NOTE: This collection not available with nightlight, sliding tops, or docking station options

**"STOCK  
ITEMS  
READY FOR  
IMMEDIATE  
SHIPPING"**



**Bungalow 1 Drawer  
Nightstand**  
#13-1601  
21" w x 20" d x 31" h

Inspired by the traditions of Mission style, the clean, vertical lines and flat planes of the timeless Bungalow Collection are crafted from red, quarter-sawn oak, with a finish that uses the natural grain of the wood as a decorative element. Highlights include cedar drawer boxes with English dovetail construction, handsome hardware in a rustic finish, and a spindle bed and nightstand that impart a light and airy look crafted to last for generations. Coordinating upholstered furniture is also available.



Shown in Quartersawn Oak with #32 Michaels finish

## Bungalow Panel Bed

### Popular Sizes:

- Twin Panel Bed #13-1502T 46" x 48"
- Full Panel Bed #13-1502F 64" x 48"
- Queen Panel Bed #13-1502Q 72" x 48"
- King Panel Bed #13-1502K 92" x 48"
- Cal King Panel Bed #13-1502C 84" x 48"



## Bungalow Panel Bed w/ Low Footboard

### Popular Sizes:

- Twin Panel Bed #13-1502TLF 46" x 48"
- Full Panel Bed #13-1502FLF 64" x 48"
- Queen Panel Bed #13-1502QLF 72" x 48"
- King Panel Bed #13-1502KLF 92" x 48"
- Cal King Panel Bed #13-1502CLF 84" x 48"



## Bungalow Spindle Bed

### Popular Sizes:

- Twin Spindle Bed #13-1501T 46" x 48"
- Full Spindle Bed #13-1501F 64" x 48"
- Queen Spindle Bed #13-1501Q 70" x 48"
- King Spindle Bed #13-1501K 86" x 48"
- Cal King Spindle Bed #13-1501C 82" x 48"



## Bungalow Spindle Bed w/ Low Footboard

### Popular Sizes:

- Twin Spindle Bed #13-1501TLF 46" x 48"
- Full Spindle Bed #13-1501FLF 64" x 48"
- Queen Spindle Bed #13-1501QLF 70" x 48"
- King Spindle Bed #13-1501KLF 86" x 48"
- Cal King Spindle Bed #13-1501CLF 82" x 48"



# BUNGALOW *Bedroom Collection*

CONTINUED...



Pull-Out Tray

- **Bungalow 3 Drawer Nightstand**
- #13-1602
- 24" w x 20 1/2" d x 31" h



Pull-Out Tray

- **Bungalow 3 Drawer Chest**
- #13-1801
- 34" w x 20 1/2" d x 33" h



- **Bungalow 9 Drawer Mule Chest**
- #13-1804
- 67" w x 20 1/2" d x 38" h

- **Bungalow 7 Drawer Dresser**
- #13-1701
- 65" w x 20 1/2" d x 35 1/2" h



- **Bungalow Gentleman's Chest**
- #13-1805
- 41" w x 20 1/2" d x 54" h

- **Bungalow 8 Drawer Chest**
- #13-1802
- 41" w x 20 1/2" d x 54" h

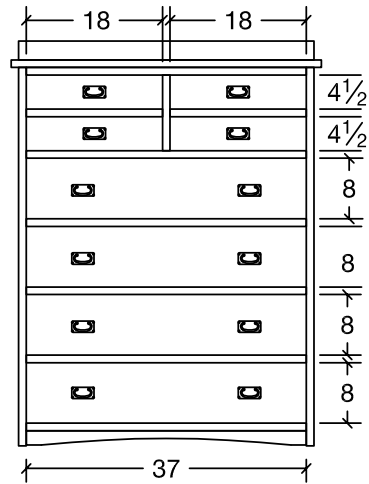


- **Bungalow Mule Mirror**
- #13-2002
- 61" w x 29" h

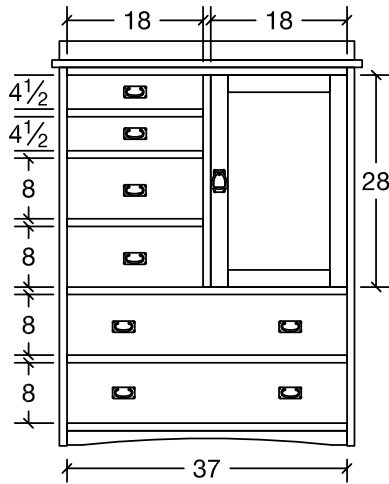


- **Bungalow Mule Chest**
- #13-1803
- 67" w x 20 1/2" d x 46 1/2" h

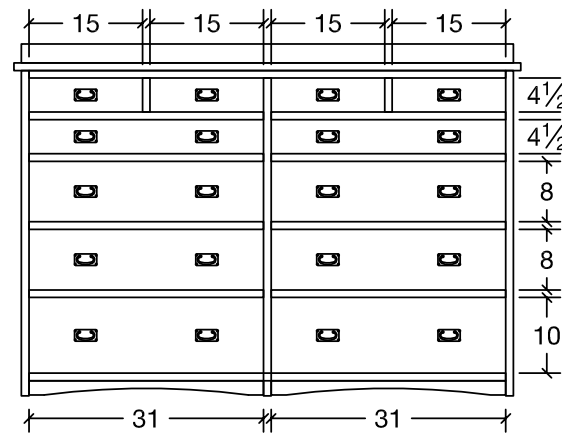
# BUNGALOW BEDROOM COLLECTION SPECIFICATIONS



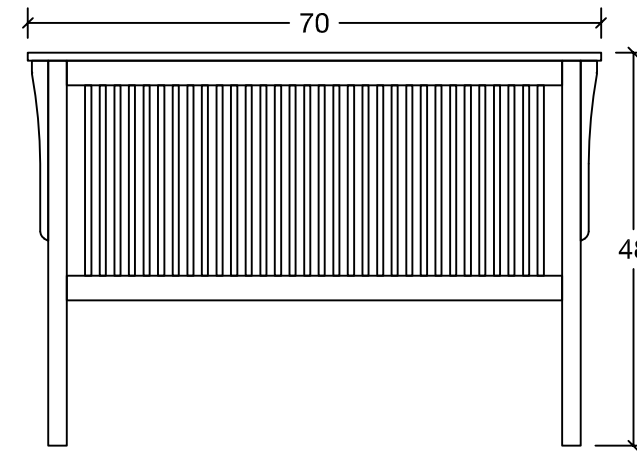
**13-1802**  
8 Drawer Chest  
8 Drawers  
41w x 20 1/2d x 54h



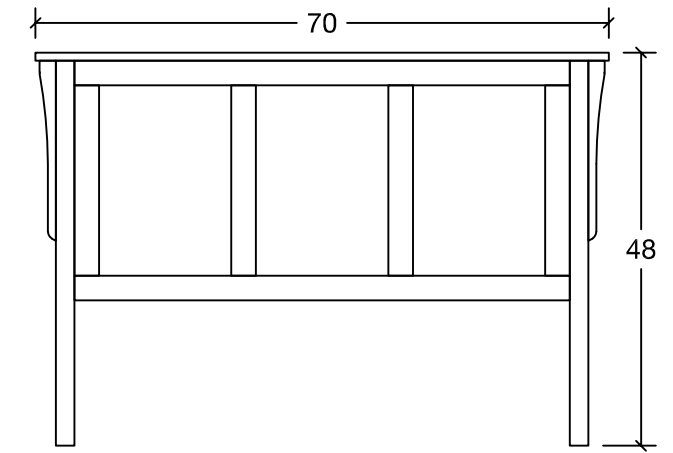
**13-1805**  
Gentlemans Chest  
6 Drawers, 1 Door  
41w x 20 1/2d x 54h



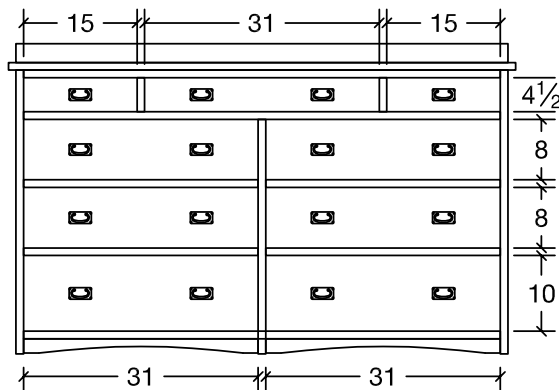
**13-1803**  
Mule Chest  
12 Drawers  
67w x 20 1/2d x 46 1/2h



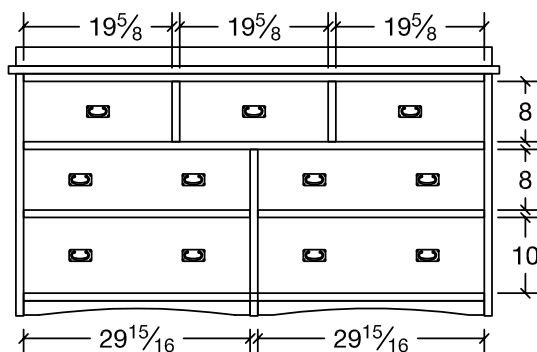
**1-13-1501Q**  
Queen Spindle Headboard  
70w x 48h



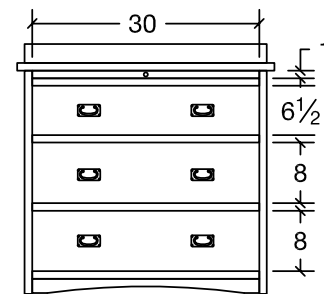
**1-13-1502F**  
Queen Panel Headboard  
70w x 48h



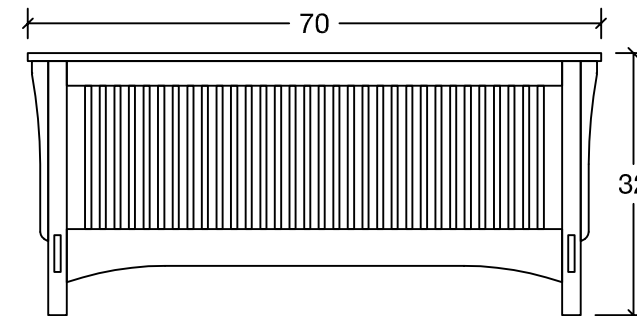
**13-1804**  
9 Drawer Mule Chest  
9 Drawers  
67w x 20 1/2d x 38h



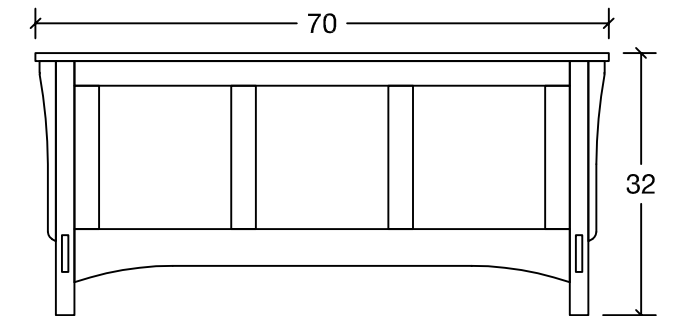
**13-1701**  
7 Drawer Dresser  
7 Drawers  
65w x 20 1/2d x 35 1/2h



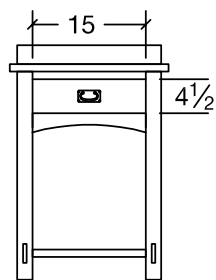
**13-1801**  
3 Drawer Chest  
3 Drawers  
34w x 20 1/2d x 33h



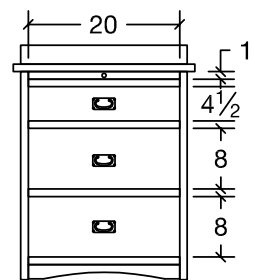
**2-13-1501Q**  
Queen Spindle Footboard  
70w x 32h



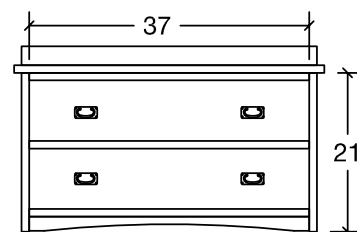
**2-13-1502Q**  
Queen Panel Footboard  
70w x 32h



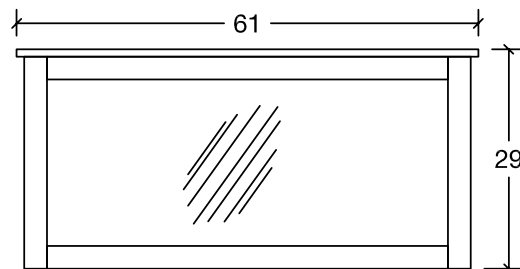
**13-1601**  
1 Drawer Nightstand  
1 Drawers  
21w x 20d x 31h



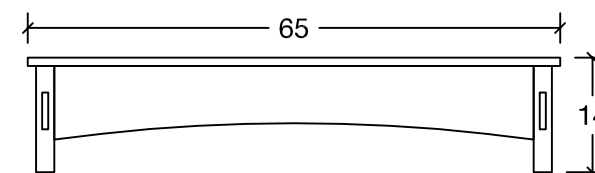
**13-1602**  
3 Drawer Nightstand  
3 Drawers  
24w x 20 1/2d x 31h



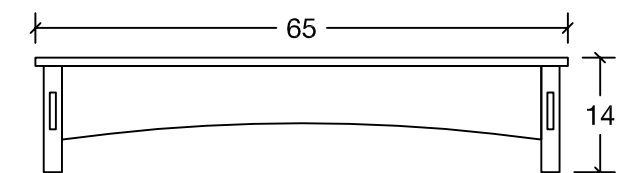
**13-2101**  
Lift Top Blanket Chest  
No Drawers  
41w x 20 1/2d x 24 1/2h



**13-2002**  
Mule Mirror  
61w x 29h



**2-13-1501QLFB**  
Queen Spindle  
Low Footboard  
65w x 14h



**2-13-1502QLFB**  
Queen Panel  
Low Footboard  
65w x 14h

# CASTLEBROOK *Bedroom Collection*

## COLLECTION FEATURES

- Bevel-cut mirror
- Mortise & tenon joints
- Dovetailed solid wood drawers
- Soft-close full extension drawers
- Solid wood fully framed case goods
- 1 1/4" thick solid tops
- Decorative through tenons
- Yellowheart wood inlays
- W-1 & W-2 hardware is standard
- Mission edge is standard

## COLLECTION OPTIONS

- Hardware Options  
(see Features & Options page)
- Docking drawer (#DKD)



Inlays are standard



### Castlebrook Slat Bed

- Headboard 56 1/4" h
- Footboard 31 1/4" h
- #CCSKB Cal King 81 1/4" w x 91 1/2" d
- #CSKB King 85 1/4" w x 87 1/2" d
- #CSQB Queen 69 1/4" w x 87 1/2" d
- #CSFB Full 63 1/4" w x 82" d
- #CSTB Twin 50 1/4" w x 82" d



Castlebrook 3-Drawer  
Night Stand  
#CANS3  
25" w x 18 1/2" d x 30 1/4" h



Castlebrook Chest  
#CACD  
41" w x 22" d x 53 1/4" h



Castlebrook 1-Drawer  
Night Stand  
#CANS1  
25" w x 18 1/2" d x 30 1/4" h



### Castlebrook Panel Bed

- Headboard 56 1/4" h
- Footboard 31 1/4" h
- #CCAQB Cal King 81 1/4" w x 91 1/2" d
- #CAKB King 85 1/4" w x 87 1/2" d
- #CAQB Queen 69 1/4" w x 87 1/2" d
- #CAFB Full 63 1/4" w x 82" d
- #CATB Twin 50 1/4" w x 82" d

# CASTLEBROOK *Bedroom Collection*

CONTINUED...



Castlebrook  
32" Mirror  
#CAMR32  
51"w x 2 1/2"d x 32"h

Castlebrook  
9-Drawer Dresser  
#CA9DR  
65"w x 22"d x 43"h



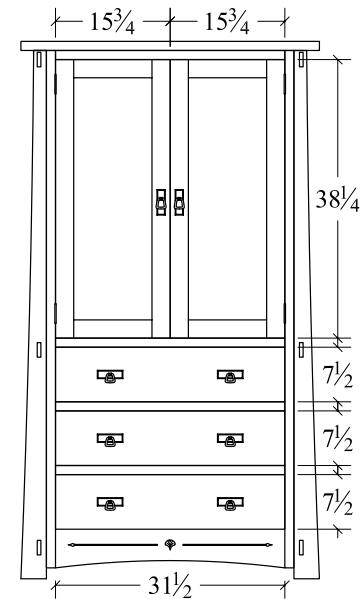
Castlebrook His  
& Hers Chest  
#CAHHC  
53"w x 22"d x 50  
1/2"h

Castlebrook 40" Mirror  
#CAMR40  
51"w x 2 1/2"d x 40 1/2"h

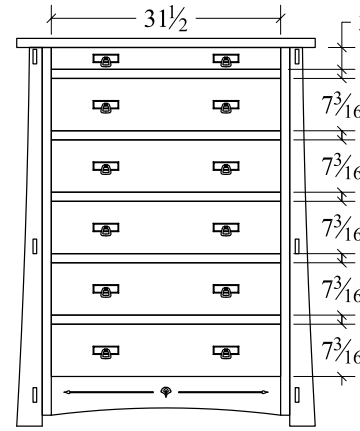


Castlebrook 7-Drawer  
Dresser  
#CA7DR  
65"w x 22"d x 33 1/4"h

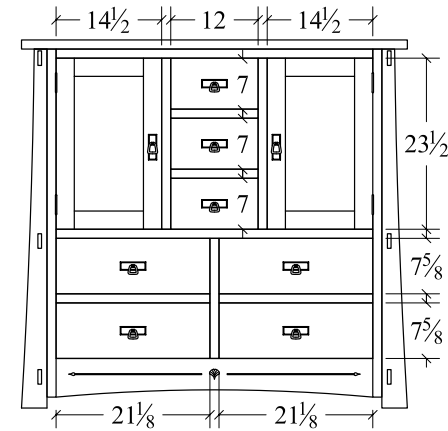
# CASTLEBROOK BEDROOM COLLECTION SPECIFICATIONS



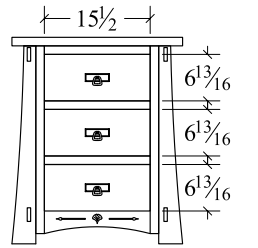
Armoire (CAAR)  
3 drawer, 2 door  
41w x 22d x 74h



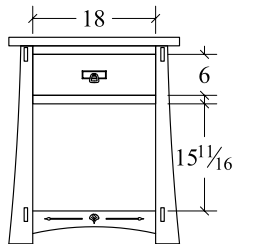
Chest (CACD)  
6 drawer  
41w x 22d x 53 1/4h



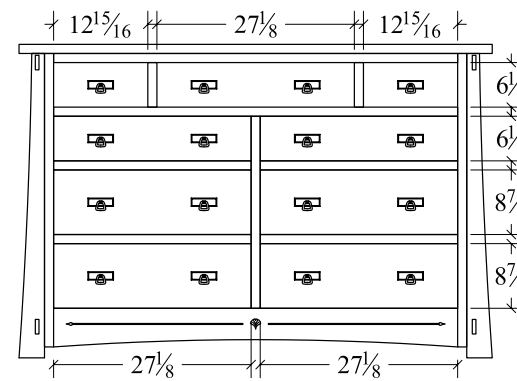
His & Hers Chest (CAHHC)  
7 drawer, 2 door  
53w x 22d x 50 1/2h



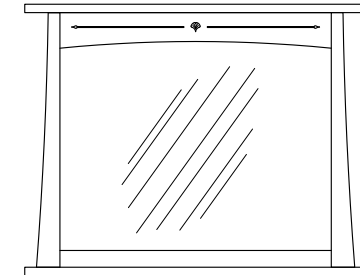
Night Stand (CANS3)  
3 drawer  
25w x 18 1/2d x 30 1/4h



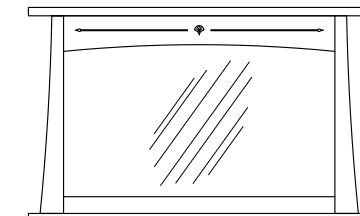
Night Stand (CANS1)  
1 drawer, 1 opening  
25w x 18 1/2d x 30 1/4h



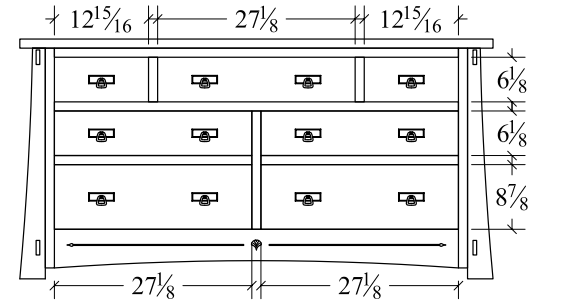
Dresser (CA9DR)  
9 drawer  
65w x 22d x 43h



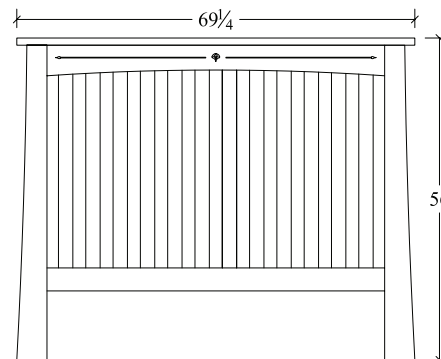
Mirror (CAMR40)  
51w x 40 1/2h



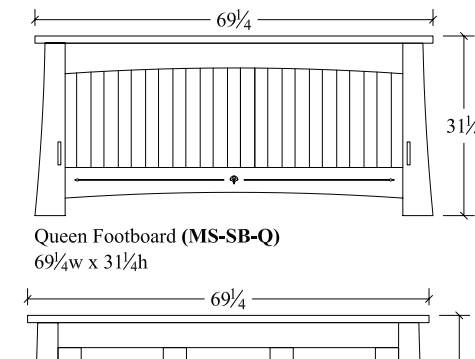
Mirror (CAMR32)  
51w x 32h



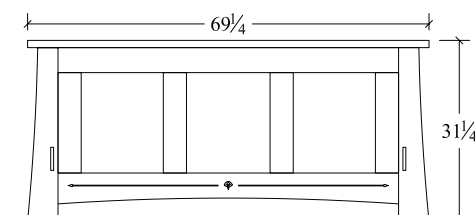
Dresser (CA7DR)  
7 drawer  
65w x 22d x 33 1/4h



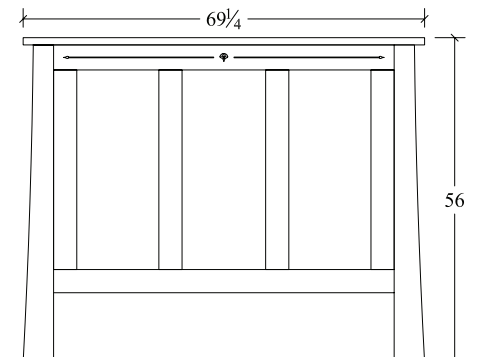
Queen Headboard (MS-SB-Q)  
69 1/4w x 56h



Queen Footboard (MS-SB-Q)  
69 1/4w x 31 1/4h



Queen Footboard (MS-PB-Q)  
69 1/4w x 31 1/4h



Queen Headboard (MS-PB-Q)  
69 1/4w x 56h

# CEDAR LAKES *Bedroom Collection*

## COLLECTION FEATURES

- Iron Bolt Detail
- Mirrors have bevel cut edges
- Constructed with mortise and tenon joints
- Cast dovetailed brackets support mattress
- Dovetailed solid wood drawers
- Soft-closing full extension undermount drawer guides
- Chest features a cedar lined drawer bottom
- Dresser features dividers in second row drawers
- A-5 pulls and A-6 Knobs

## COLLECTION OPTIONS

- Distressed Finish (#2D)
- Hardware Options (see Features & Options page)
- Underbed Storage Options
- LED nightlight (#LEDN)
- Docking drawer with power (#DKD)
- Additional drawer dividers for dressers (#DD)
- Dresser drawer available with felt lined jewelry tray (#SJT)
- Additional cedar lined drawers available (#CB)



•  
•  
• **Cedar Lakes**  
• **1-Drawer Night Stand**  
• #CLNS1  
• 26" w x 16 1/2" d x 30" h



•  
•  
• **Cedar Lakes**  
• **60" Dresser Mirror**  
• #CLMR  
• 42" w x 38 1/2" h



•  
•  
• **Cedar Lakes**  
• **Chest**  
• #CLCD  
• 38" w x 19" d x 53" h



•  
•  
• **Cedar Lakes**  
• **60" Dresser**  
• #CLDR60  
• 60" w x 19" d x 38" h



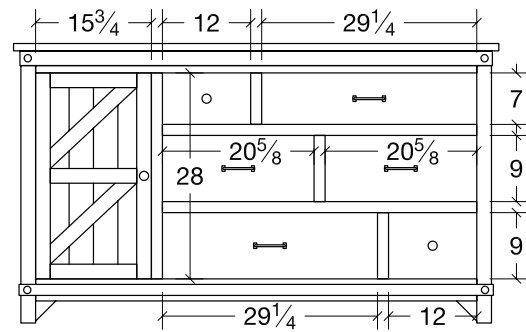
Shown in Oak with #100 Pebble Finish



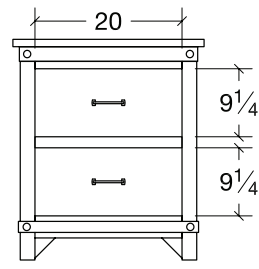
•  
•  
• **Cedar Lakes Bed**  
• Headboard 60" h  
• Footboard 18" h  
• #CCLCKB Cal. King Bed 77 1/2" w x 90" d  
• #CLKB King Bed 81 1/2" w x 86" d  
• #CLOB Queen Bed 65 1/2" w x 86" d  
• #CLFB Full Bed 59 1/2" w x 80" d  
• #CLTB Twin Bed 44 1/2" w x 80" d

# CEDAR LAKES

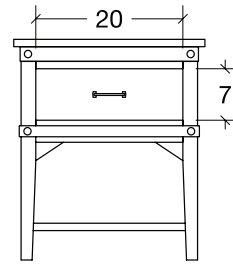
## BEDROOM COLLECTION SPECIFICATIONS



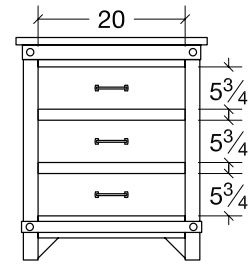
**Door Dresser (CLDDR)**  
6 drawer, 1 door  
66w x 19d x 38h



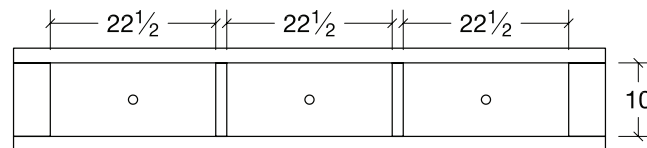
**Night Chest (CLNS2)**  
2 drawer  
26w x 16 1/2d x 30h



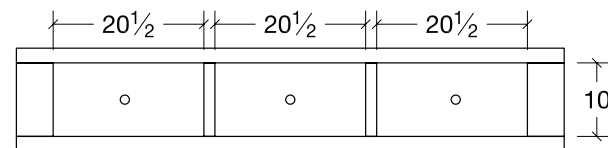
**Night Table (CLNS1)**  
1 drawer, 1 Shelf  
26w x 16 1/2d x 30h



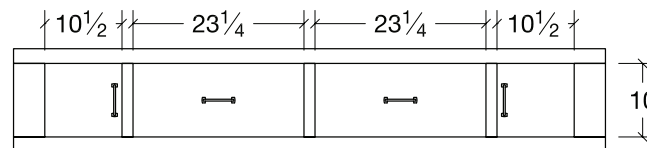
**Night Stand (CLNS3)**  
3 drawer  
26w x 16 1/2d x 30h



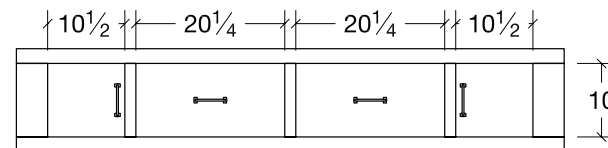
**Storage Rail, King and Queen**  
3 drawer  
80 1/2w x 14h



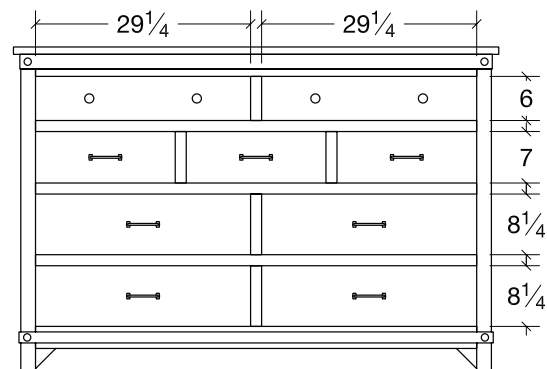
**Storage Rail, Full**  
3 drawer  
74 1/2w x 14h



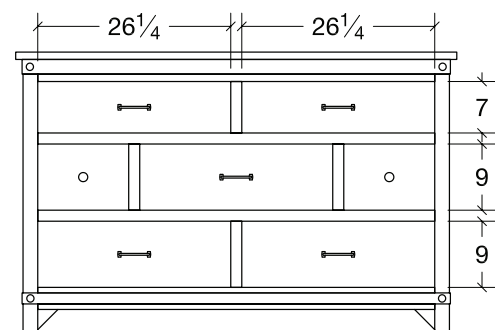
**Storage Rail, King and Queen**  
2 drawer, 2 door  
80 1/2w x 14h



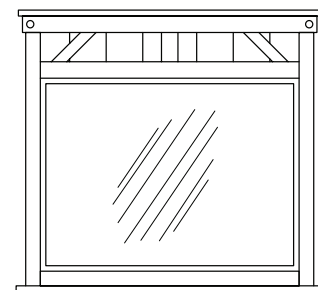
**Storage Rail, Full**  
2 drawer, 2 door  
74 1/2w x 14h



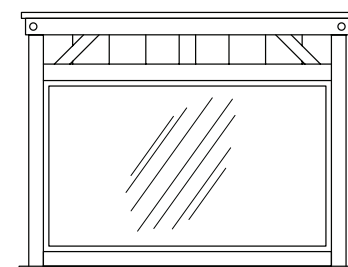
**Tall Dresser (CL9DR)**  
9 drawer  
66w x 19d x 44h



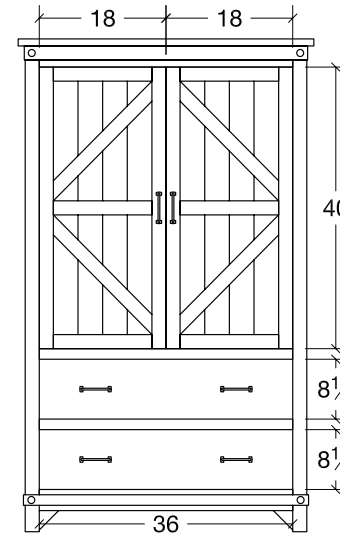
**Dresser (CLDR60)**  
7 drawer  
60w x 19d x 38h



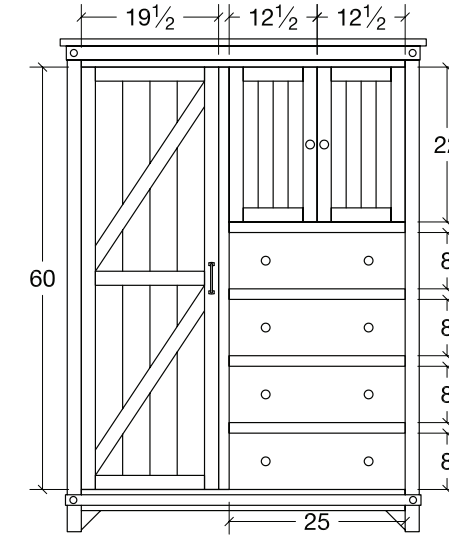
**Dresser Mirror (CLMR)**  
42w x 38 1/2h



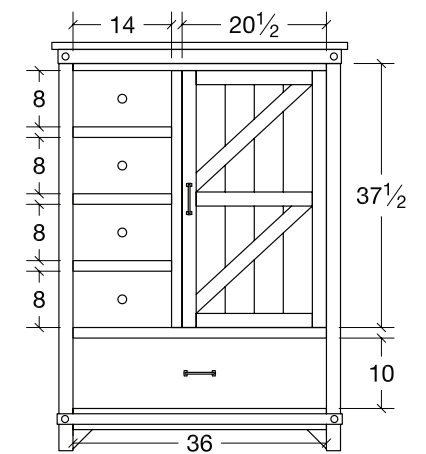
**Dresser Mirror (CLMR 46)**  
46w x 35 1/2h



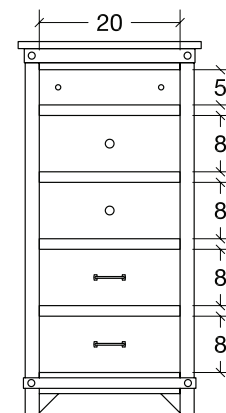
**Armoire (CLAR)**  
2 drawer, 2 door  
42w x 22d x 70h



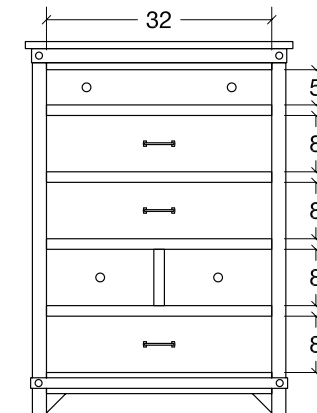
**Chifferobe (CLCB)**  
4 drawer, 3 door  
52w x 22d x 70h



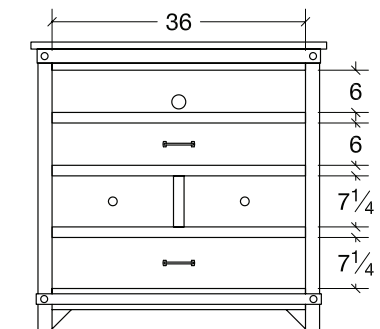
**Door Chest (CLDRC)**  
5 drawer, 1 door  
42w x 19d x 58h



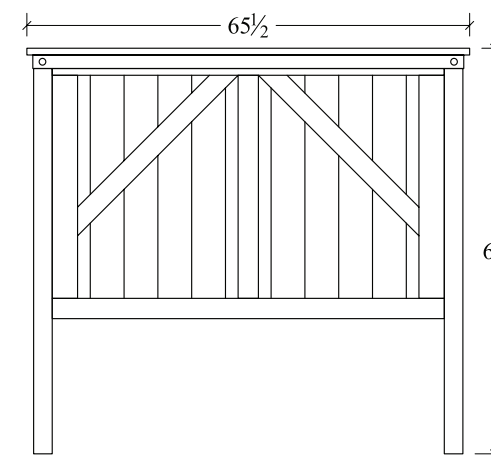
**Lingerie Chest (CLLC)**  
5 drawer  
26w x 16 1/2d x 53h



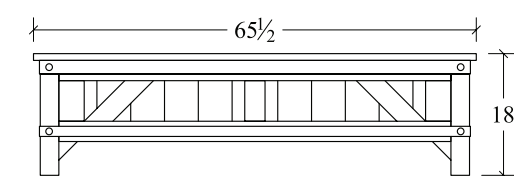
**Drawer Chest (CLCD)**  
6 drawer  
38w x 19d x 53h



**Media Chest (CLMC)**  
4 drawer  
42w x 19d x 41h



**Queen Headboard (CLQB)**  
65 1/2w x 60h



**Queen Footboard (CLQB)**  
65 1/2w x 30h



**Queen Low Footboard (CLQB)**  
63 1/2w x 13 1/2h

# CHANDLER *Bedroom Collection*

## COLLECTION FEATURES

- Bevel-cut mirror
- Mortise & tenon joints
- Dovetailed solid wood drawers
- Soft-close full extension drawers
- Fully framed solid wood
- 1" thick solid tops
- N-14 hardware standard
- Mission edge is standard

## COLLECTION OPTIONS

- Hardware Options  
(see Features & Options page)
- Jewelry door with mirror available  
on chest & door chest
- Docking drawer (#DKD)

**Chandler Bed**  
 Headboard 56" h  
 Footboard 30 3/4" h  
 #CCHKB Cal King 82" w x 91 1/2" d  
 #CHKB King 86" w x 87 1/2" d  
 #CHQB Queen 70" w x 87 1/2" d  
 #CHFB Full 64" w x 82 1/2" d  
 #CHTB Twin 51" w x 82 1/2" d



Shown with **Low Footboard**

**Chandler Storage Option**  
 #CHRS Storage bed rail



**Chandler 6-Drawer Chest**  
 #CHCD  
 42 1/2" w x 23" d x 53" h

## Chandler 3-Drawer Night Stand

#CHNS3PO  
 (with pullout option)  
 #CHNS3  
 (w/o pullout option –  
 not shown)  
 27" w x 19" d x 28" h



## Chandler TV Mirror

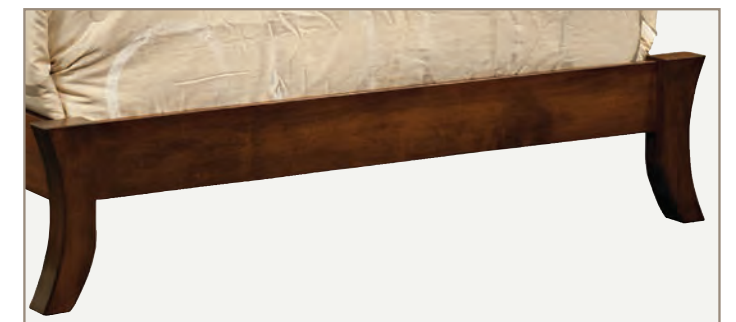
#CHTVMR  
 53" w x 11 1/2" d x 30 1/4" h  
 (Inside useable space:  
 44" w x 7" d x 28 3/4")



**Chandler Lingerie Chest**  
 #CHLC  
 28 1/2" w x 23" d x 58 3/4" h



**Chandler Storage Option**  
 #CHSD Storage footboard



**Chandler Low Footboard Option**  
 #CHLFB  
 2 3/4" d x 15 1/4" h

# CHANDLER *Bedroom Collection*

CONTINUED...

Chandler His & Her Chest  
#CHHHC  
54 1/2"w x 23"d x 50 1/4"h



Chandler 30 1/2" Mirror  
#CHMR30  
53"w x 30 1/4"h



Chandler 10-Drawer Dresser  
#CH10DR  
66 1/2"w x 23"d x 42 3/4"h



Chandler Bed  
Headboard 56"h  
Footboard 30 3/4"h  
#CCHKB Cal King 82"w x 91 1/2"d  
#CHKB King 86"w x 87 1/2"d  
#CHQB Queen 70"w x 87 1/2"d  
#CHFB Full 64"w x 82 1/2"d  
#CHTB Twin 51"w x 82 1/2"d



Chandler Armoire  
#CHAR  
42 1/2"w x 23"d x 74"h  
Opening size 31 1/2"w x 38 1/4"h



Chandler Blanket Chest  
#CHBC  
48"w x 20"d x 21"h



Chandler 40" Mirror  
#CHMR40  
53"w x 40"h



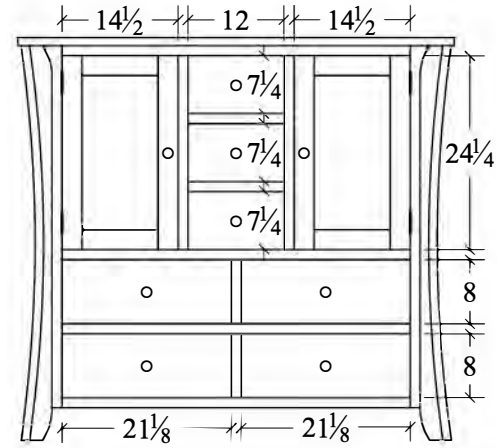
Chandler Drawer & Doors Night Stand  
#CHNS1  
27"w x 19"d x 28"h



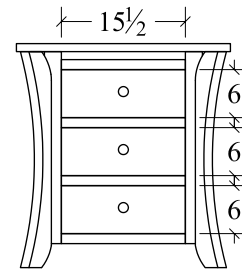
Chandler 8-Drawer Dresser  
#CH8DR  
66 1/2"w x 23"d x 33"h



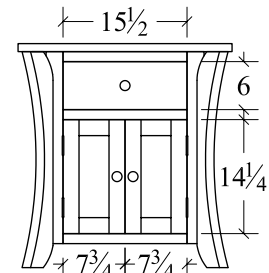
# CHANDLER BEDROOM COLLECTION SPECIFICATIONS



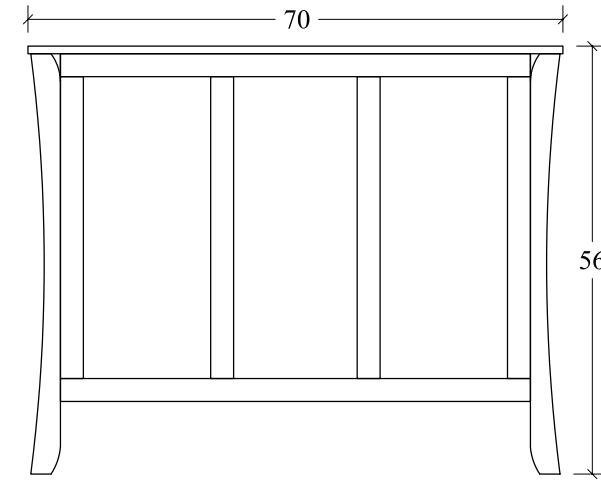
**His & Hers Chest (CHHHC)**  
7 drawer, 2 door  
54 1/2w x 23d x 50 1/4h



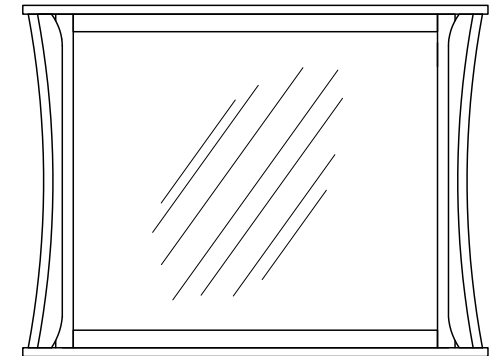
**Night Stand (CHNS3)**  
3 drawer  
26 3/4w x 19d x 28h



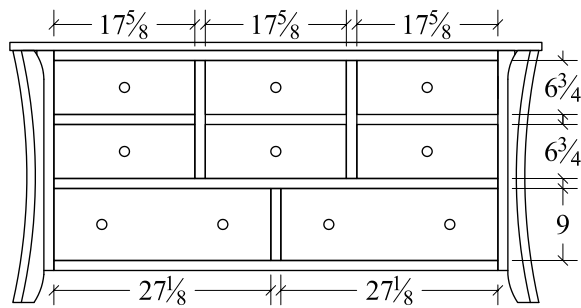
**Night Stand (CHNS1)**  
1 drawer, 2 door  
26 3/4w x 19d x 28h



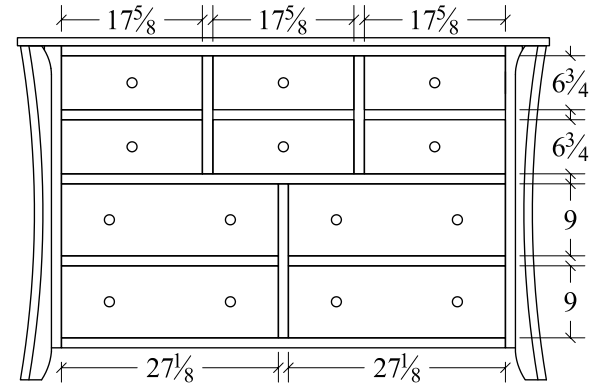
**Queen Headboard (1-CHQB)**  
70w x 56h



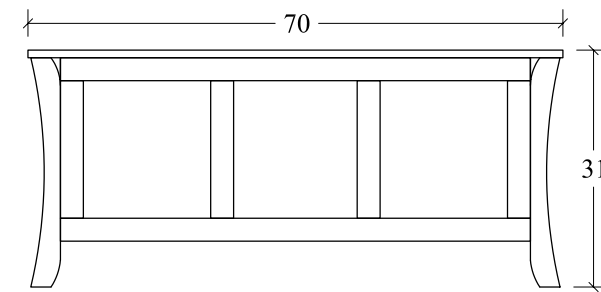
**Mirror (CHMR40)**  
53w x 40h



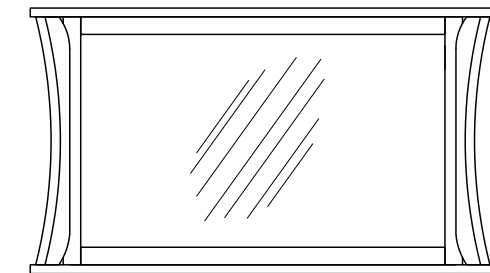
**Dresser (CH8DR)**  
8 drawer  
66 1/2w x 23d x 33h



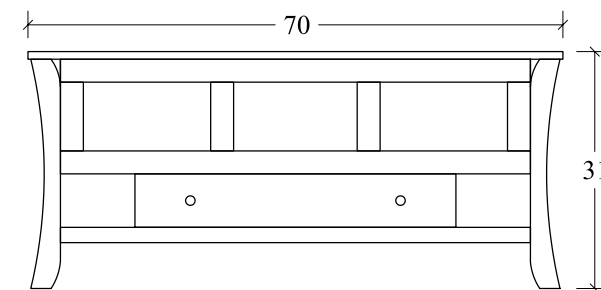
**Dresser (CH10DR)**  
10 drawer  
66 1/2w x 23d x 42 3/4h



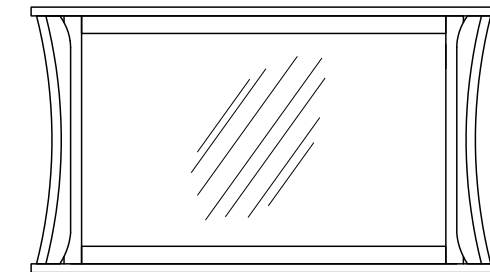
**Queen Footboard (2-CHQB)**  
70w x 31h



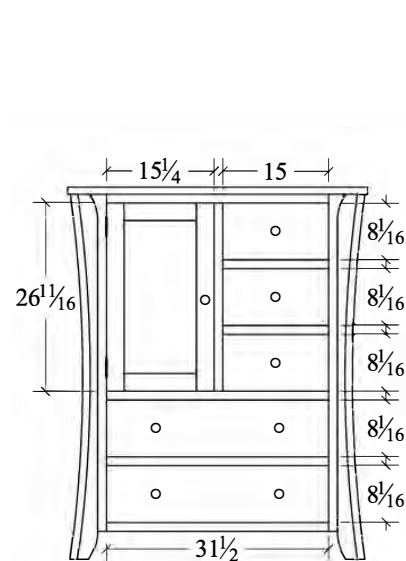
**Mirror (CHMR30)**  
53w x 30 1/4h



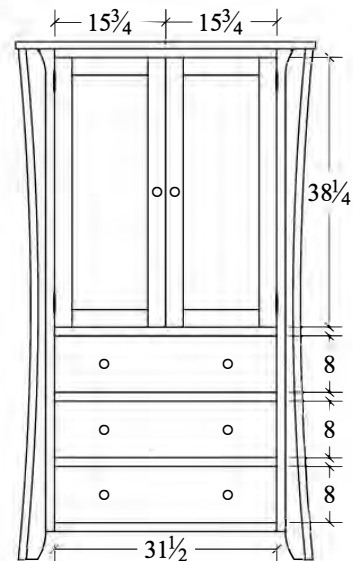
**Queen Footboard (3-CHQBSD)**  
70w x 31h



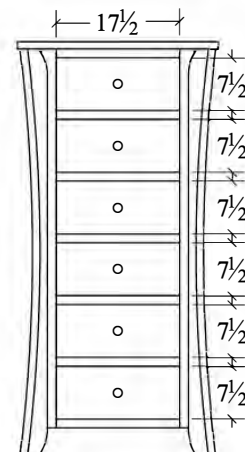
**TV Mirror (CHTVMR)**  
53w x 30 1/4h



**Door Chest (CHDRC)**  
5 drawer, 1 door  
42 1/2w x 23d x 53h



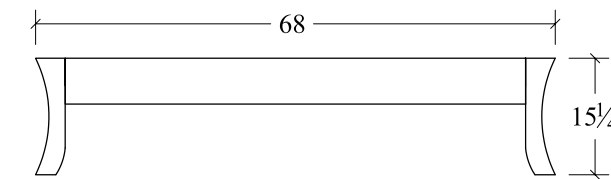
**Armoire (CHAR)**  
3 drawer, 2 door  
42 1/2w x 23d x 74h



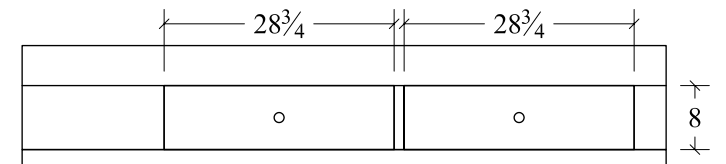
**Lingerie Chest (CHLC)**  
6 drawer  
28 1/2w x 23d x 58 3/4h



**Chest (CHCD)**  
6 drawer  
42 1/2w x 23d x 53h



**Queen Low Footboard (2-CHQBLFB)**  
(68w x 15 1/4h)



California King Storage Rail 2 drawer 84 1/2w x 24 3/4d x 15 1/4h  
King Storage Rail 2 drawer 80 1/2w x 24 3/4d x 15 1/4h  
Queen Storage Rail 2 drawer 80 1/2w x 24 3/4d x 15 1/4h  
Full Storage Rail 2 drawer 74 1/2w x 24 3/4d x 15 1/4h  
Twin Storage Rail 2 drawer 74 1/2w x 19d x 15 1/4h

# DELDRIDGE *Bedroom Collection*

## COLLECTION FEATURES

- Saw Marks & Grooved Panels
- Mirrors have bevel cut edges
- Constructed with mortise and tenon joints
- Cast dovetailed brackets support mattress
- Dovetailed solid wood drawers
- Soft-closing full extension undermount drawer guides
- Chest features a cedar lined drawer bottom
- Dresser features dividers in second row drawers
- Pewter Hardware, not available on other collections

## COLLECTION OPTIONS

- Distressed Finish (#2D)
- Hardware Options (see Features & Options page)
- Underbed Storage Options
- LED nightlight (#LEDN)
- Docking drawer with power (#DKD)
- Additional drawer dividers for dressers (#DD)
- Dresser drawer available with felt lined jewelry tray (#SJT)
- Additional cedar lined drawers available (#CB)

- Collection is available in all finishes however it is recommended in either New Century, Pewter or Rustic Bourbon finish due to rustic detail.

Delridge 3 Drawer Nightstand  
#DENS3  
26" w x 16 1/2" d x 29" h



Brown Maple with #103 Dew distressed finish



Delridge  
His & Hers Chest  
#DEHHC  
48" w x 19" d x 64 1/4" h



Delridge  
60" dresser Mirror  
#DEMR  
41" w x 39 1/2" h

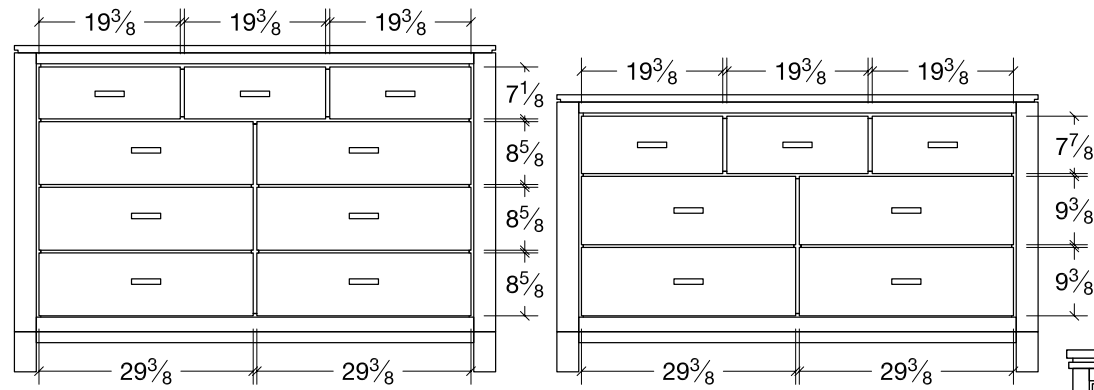


Delridge  
60" dresser  
#DEDR60  
60" w x 19" d x 38" h



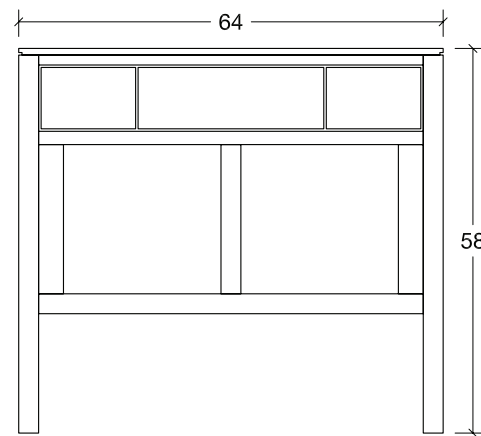
Delridge Bed  
Headboard 58" h  
Footboard 20" h  
#DECKB Cal. King Bed 76" w x 89 1/2" d  
#DEKB King Bed 80" w x 85 1/2" d  
#DEQB Queen Bed 64" w x 85 1/2" d  
#DEFB Full Bed 58" w x 79 1/2" d  
#DETB Twin Bed 43" w x 79 1/2" d

# DELTRIDGE BEDROOM COLLECTION SPECIFICATIONS

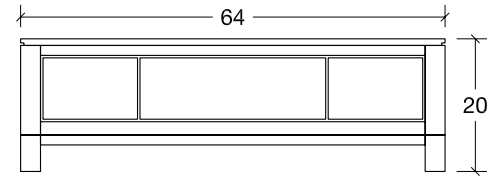


**Dresser (DEDR9)**  
9 drawer  
66w x 19d x 45h

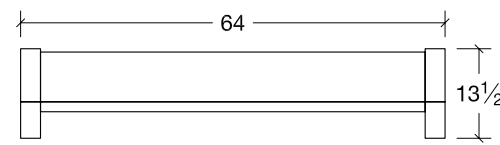
**Dresser (DE7DR66)**  
7 drawer  
66w x 19d x 38h



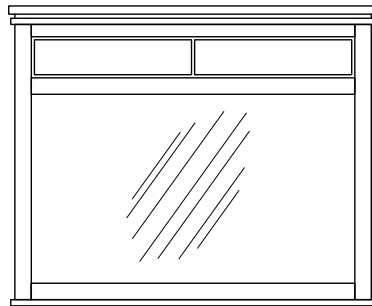
**Queen Headboard (DEQB)**  
64w x 58h



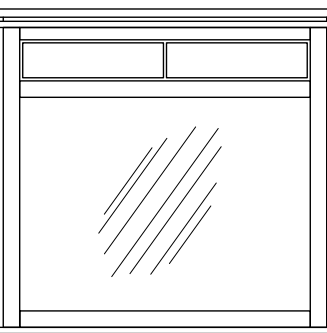
**Queen Footboard (DEQB)**  
64w x 20h



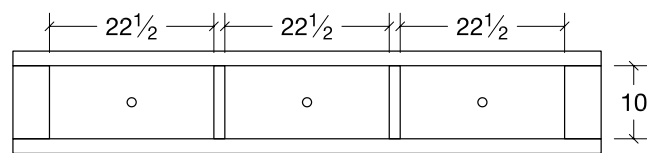
**Queen Low Footboard (DEQB)**  
64w x 13 1/2h



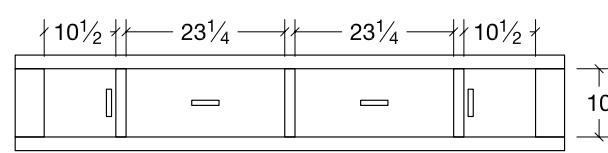
**Mirror (DEMR 45)**  
45w x 36 1/2h



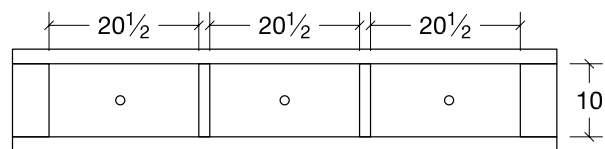
**Mirror (DEMR)**  
41w x 39 1/2h



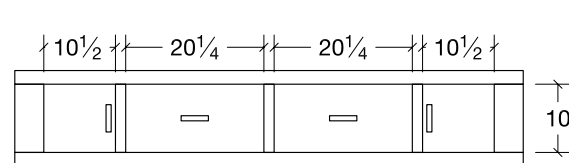
**Storage Rail, King and Queen**  
3 drawer  
80 1/2w x 14h



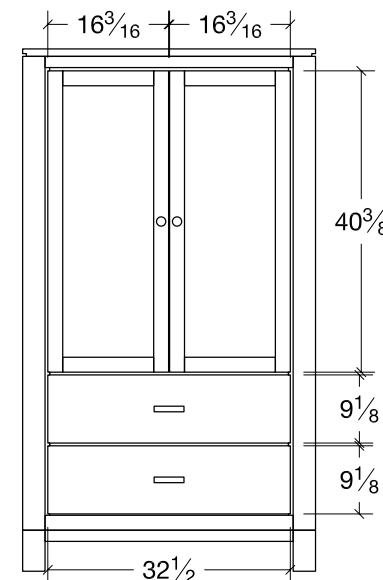
**Storage Rail, King and Queen**  
2 drawer, 2 door  
80 1/2w x 14h



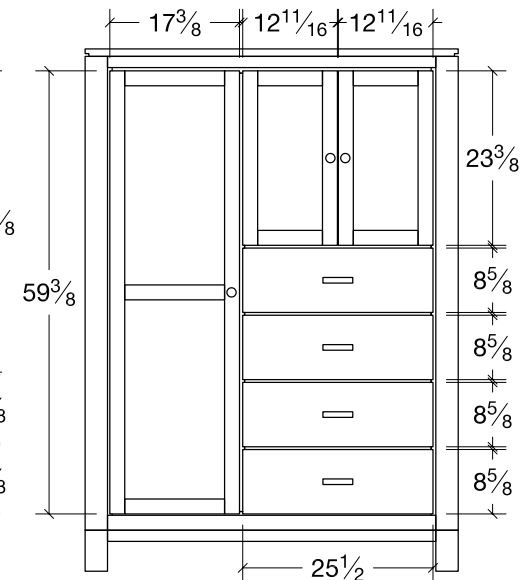
**Storage Rail, Full**  
3 drawer  
74 1/2w x 14h



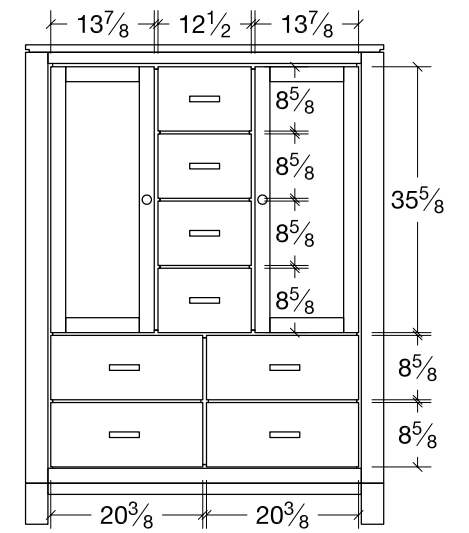
**Storage Rail, Full**  
2 drawer, 2 door  
74 1/2w x 14h



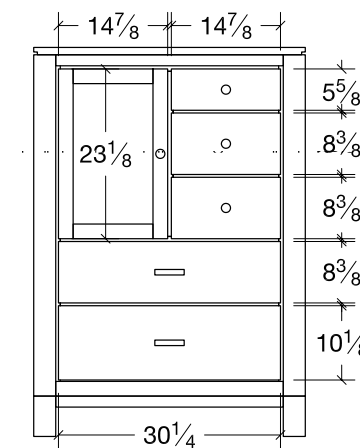
**Armoire (DEAR)**  
2 drawer, 2 door  
39 1/4w x 21 1/2d x 70h



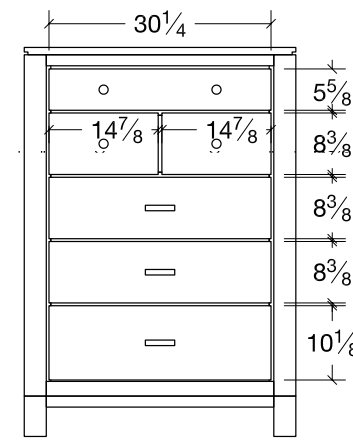
**Chifferobe (DEBC)**  
4 drawer, 3 door  
50w x 21 1/2d x 70h



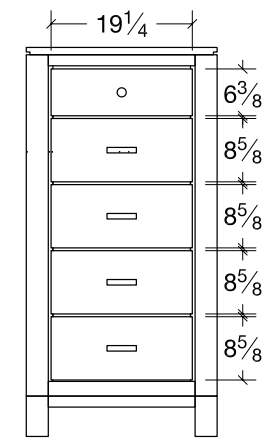
**His - Hers Chest (DEHHCD)**  
8 drawer, 2 door  
48w x 19d x 64 1/4h



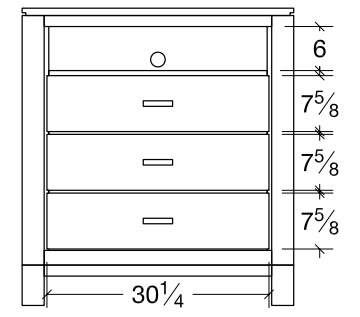
**Door Chest (DEDRC)**  
5 drawer, 1 door  
37w x 19d x 53h



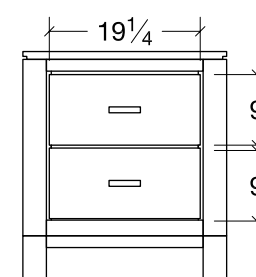
**Chest (DECD)**  
6 drawer  
37w x 19d x 53h



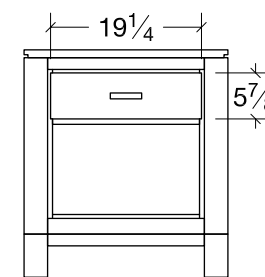
**Lingerie Chest (DELIC)**  
5 drawer  
26w x 16 1/2d x 53h



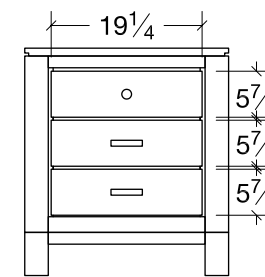
**Media Chest (DEMC)**  
3 drawer  
37w x 19d x 40 1/2h



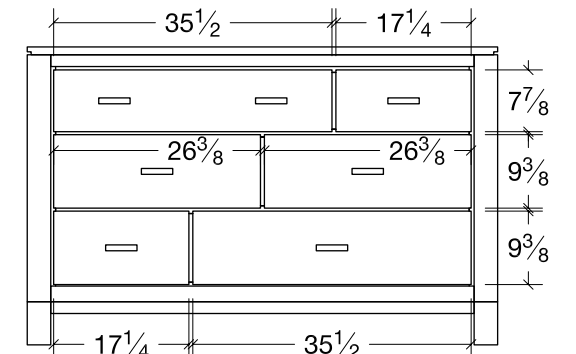
**Night Stand (DENS2)**  
2 drawer  
26w x 16 1/2d x 29h



**Night Stand (DENS1)**  
1 drawer  
26w x 16 1/2d x 29h



**Night Stand (DENS3)**  
3 drawer  
26w x 16 1/2d x 29h



**Dresser (DEDR)**  
6 drawer  
60w x 19d x 38h

# HAVENRIDGE *Bedroom Collection*

## COLLECTION FEATURES:

- Mirror has a bevel-cut edge
- Constructed with mortise and tenon joints
- Cast dovetailed brackets support mattress
- Dovetailed, solid wood drawers
- Soft-closing, full extension, undermount drawer guides
- Case goods are fully framed, solid wood
- Case goods are built with floating panel construction
- Roundover edge is standard

- Armoire features 2 solid hardwood, adjustable shelves
- Chest features a cedar-lined bottom drawer
- Dresser features dividers in second row drawers
- Bench seat has storage space and features black leather seat
- Case goods feature 1" solid top
- Desk chest features pullout tray with drawers and bottom drawer file cabinet
- J-10 Hardware

## COLLECTION OPTIONS

- Distressed finish (#2D)
- Hardware options - See hardware page in Features & Options section
- Foot rail instead of footboard (#1FD)
- Under bed storage unit (#2RS)
- Three plug power strip. Case goods available with touch switch LED night light (#LEDN)
- Night Stand available with sliding top, hidden compartment, lock and three plug power strip (#STP)
- Armoire available with 1 hanger rod instead of 2 adjustable shelves
- Additional adjustable armoire shelves available (#AJS)
- Additional drawer dividers available (#DD)
- Dresser drawer available with felt-lined jewelry tray (#SST)
- Additional cedar-lined drawers available (#CB)
- Headboard is available with flexlight in post (#FLT)
- Footboard is available with hidden compartment in post (#PC)
- Docking drawer (#DKD)



**Havenridge Night Stand**  
#HENS  
27"w x 16 1/2"d x 31"h



**Havenridge Bench Seat**  
#HEBS  
49"w x 19"d x 29"h



Shown in Rustic Hickory with #58 Peanut and J-10 Hardware



**Havenridge Armoire**  
#HEAR  
41"w x 21 1/2"d x 69"h



**Havenridge Chest**  
#HECD  
40"w x 21 1/4"d x 52"h



**Havenridge Bed**  
Headboard posts: 72"h  
In between posts: 68"h  
Footboard posts: 38"h  
#CHEKB Cal. King: 84"w x 100"d  
#HEKB King: 88"w x 96"d  
#HEQB Queen: 72"w x 96"d  
#HEFB Full: 66"w x 92"d

# HAVENRIDGE *Bedroom Collection*

CONTINUED...

Havenridge Media Chest  
#HEMC  
40"w x 21 1/4"d x 43 1/2"h



Havenridge Mirror  
#HEMR  
52"w x 31"h



Havenridge 9 Drawer Dresser  
#HEDR  
66"w x 21 1/4"d x 47 1/2"h

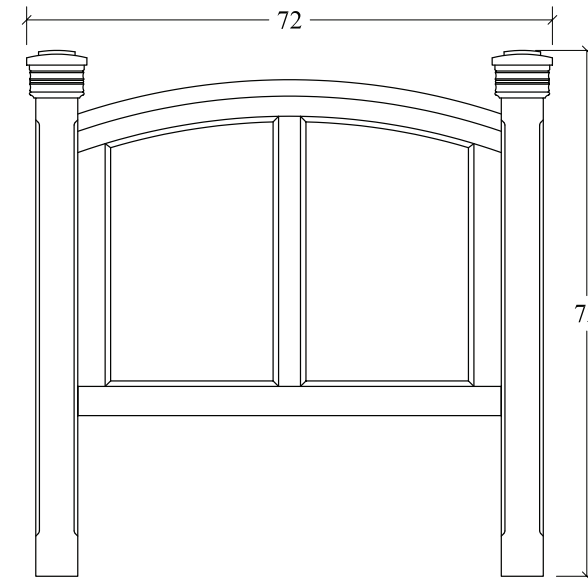
Lingerie Chest  
#HELC  
24"w x 16 1/2"d x 52"h



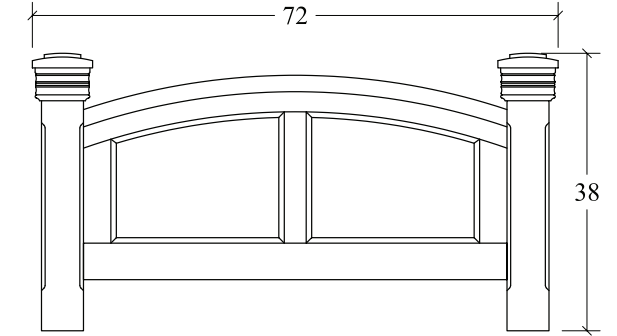
Havenridge Bench Seat  
#HEBS  
49"w x 19"d x 29"h



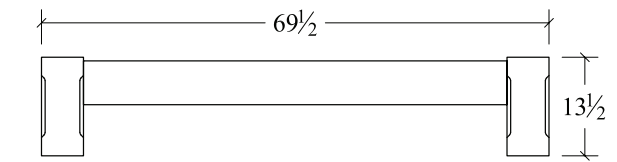
# HAVENRIDGE BEDROOM COLLECTION SPECIFICATIONS



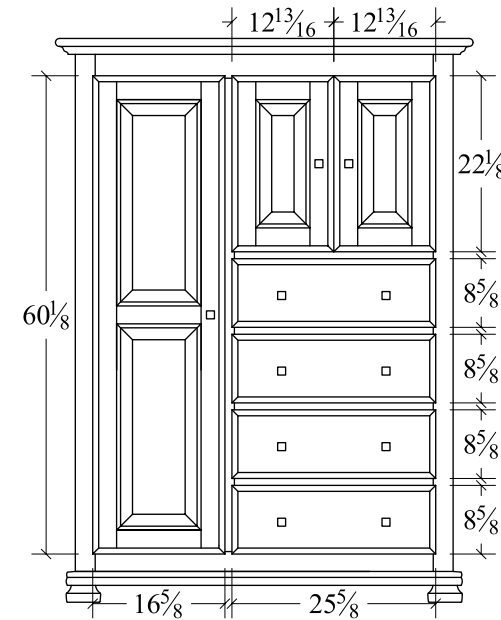
Queen Headboard (HEQB)  
72w x 72h



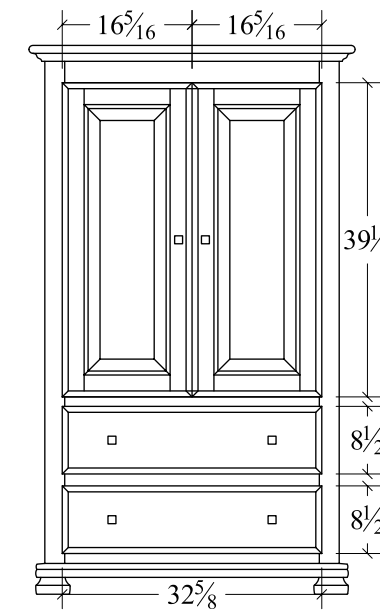
Queen Footboard (HEQB)  
72w x 38h



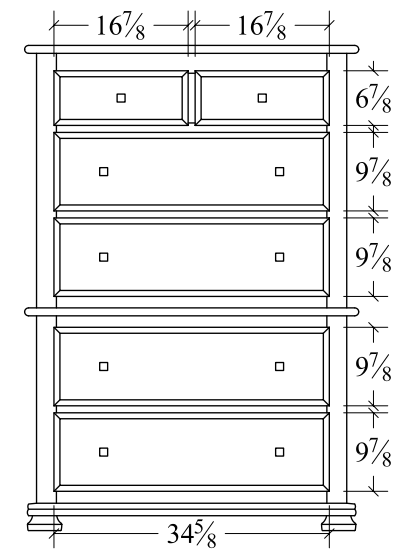
Queen Low Footboard (HEQB)  
69 1/2w x 13 1/2h



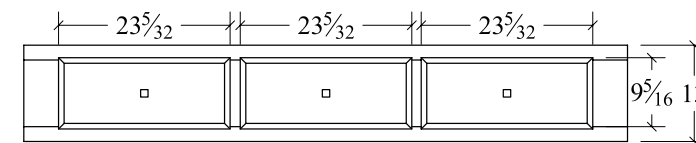
Chifferobe (HECB)  
4 drawer, 3 door  
51 1/2w x 21 1/2d x 69h



Armoire (HEAR)  
2 drawer, 2 door  
41w x 21 1/2d x 69h

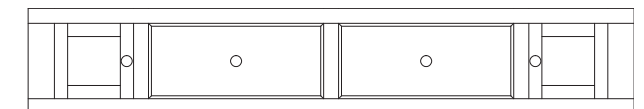


Chest on Chest (HECDC)  
6 drawer  
42w x 21 1/4d x 61h



Bed Storage Rail  
3 drawer

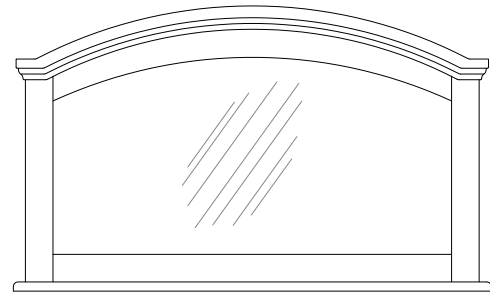
See pricelist for underbed  
storage order info



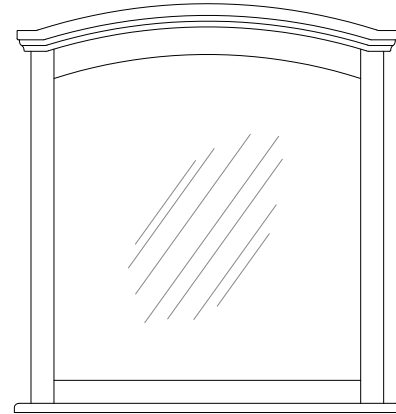
Bed Storage Rail  
2 door, 2 drawer

# HAVENRIDGE

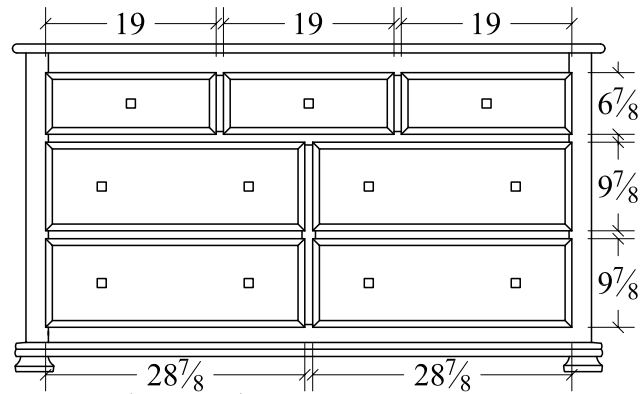
## BEDROOM COLLECTION SPECIFICATIONS



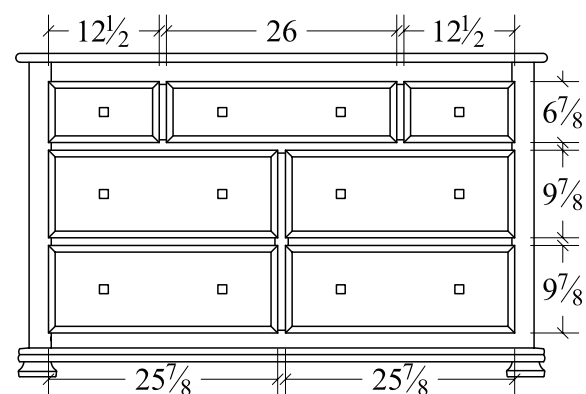
Mirror (**HEMR**)  
52w x 31h



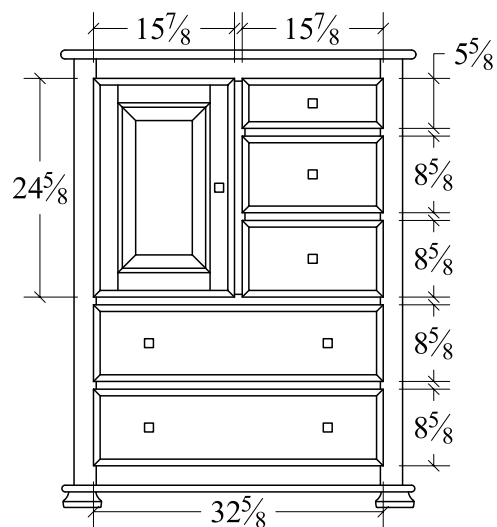
Mirror (**HEMR40**)  
42w x 42h



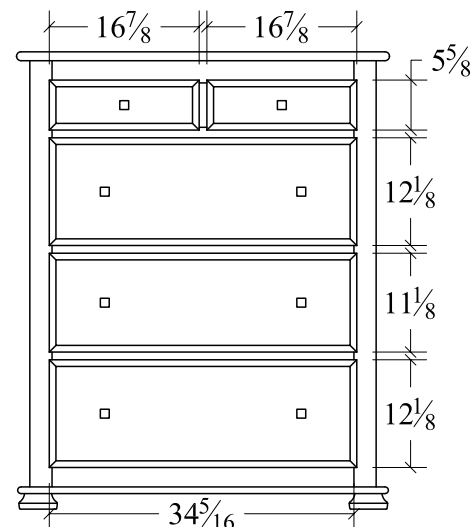
Dresser (**HE7DR**)  
7 drawer  
66w x 21 1/4d x 36 1/2h



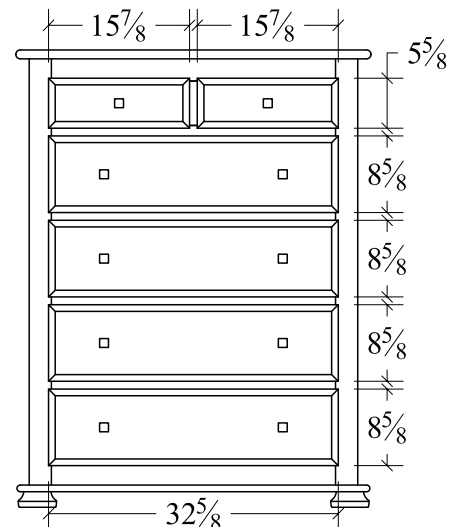
Dresser (**HE7DR60**)  
7 drawer  
60w x 21 1/4d x 36 1/2h



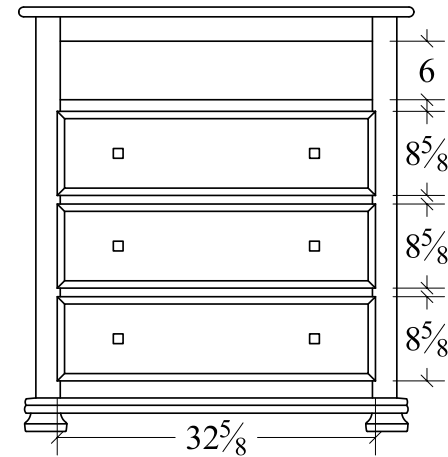
Door Chest (**HEDRC**)  
5 drawer, 1 door  
40w x 21 1/4d x 52h



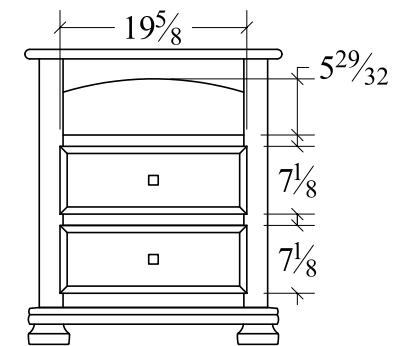
Desk Chest (**HEDC**)  
5 drawer  
42w x 21 1/4d x 52h



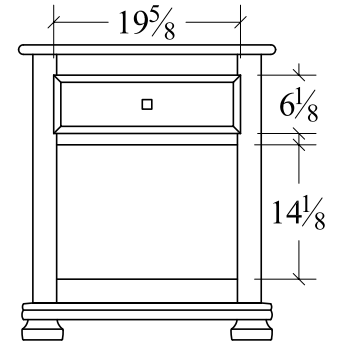
Chest (**HECD**)  
6 drawer  
40w x 21 1/4d x 52h



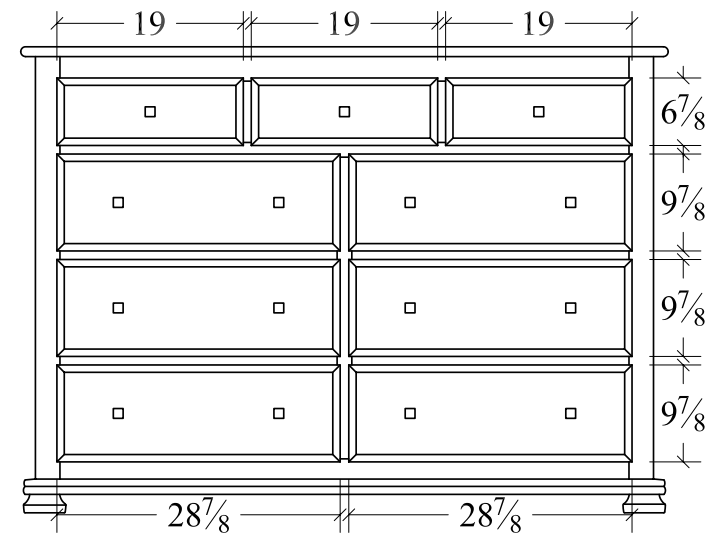
Media Chest (**HEMC**)  
3 drawer, 1 opening  
40w x 21 1/4d x 43 1/2h



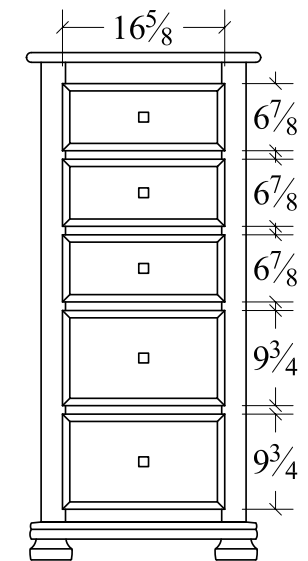
Nightstand (**HENS**)  
2 drawer, 1 opening  
27w x 16 1/2d x 31h



Nightstand (**HENSI**)  
1 drawer, 1 opening  
27w x 16 1/2d x 31h



Dresser (**HEDR**)  
9 drawer  
66w x 21 1/4d x 47 1/2h



Lingerie Chest (**HELIC**)  
5 drawer  
24w x 16 1/2d x 52h

# HAYWORTH *Bedroom Collection*

## COLLECTION FEATURES

- Mirror has a bevel-cut edge
- Constructed with mortise and tenon joints
- Cast dovetailed brackets support mattress
- Dovetailed, solid wood drawers
- Soft-closing, full extension, undermount drawer guides
- Case goods are fully framed, solid wood
- Bevel edge is standard

- Case goods are built with floating panel construction
- Case goods feature 1" solid top
- Armoire features 2 solid hardwood, adjustable shelves
- Chest features a cedar-lined bottom drawer
- Dresser features dividers in second row drawers
- N-14 Black Hardware

## COLLECTION OPTIONS

- Distressed finish (#2D)
- Hardware options - See hardware page in Features & Options section
- Foot rail instead of footboard (#1FD)
- 6 Drawer under bed storage unit (#2RS)
- Armoire available with 1 hanger rod instead of 2 adjustable shelves

- Additional drawer dividers available in Chest or Dresser (#DD)
- Additional cedar-lined drawers available (#CB)
- Docking drawer (#DKD)



• • •  
**Hayworth Night Stand**  
 #HYNS  
 27" w x 18" d x 30" h



Shown in Cherry with #68 Hazelnut & N-14 Black Hardware

• • •  
**Hayworth Chest on Chest**  
 #HYCDC  
 40" w x 22" d x 61" h



• • •  
**Hayworth Mirror**  
 #HYMR  
 50" w x 34" h



• • •  
**Hayworth Dresser**  
 #HYDR  
 66" w x 22" d x 45" h



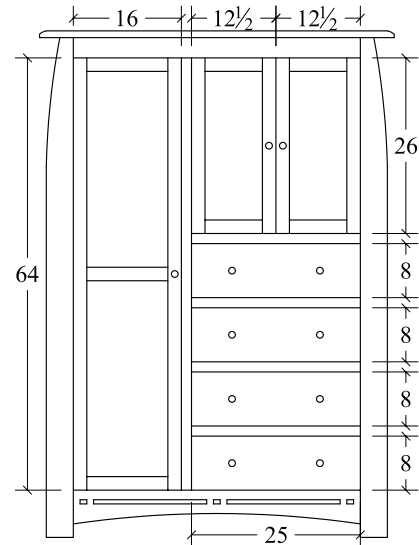
• • •  
**Hayworth Armoire**  
 #HYAR  
 41" w x 22" d x 75" h



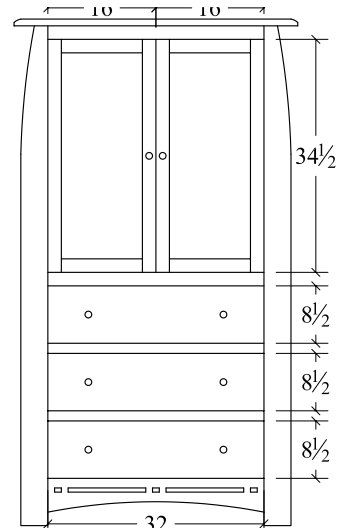
• • •  
**Hayworth Bed**  
 Headboard: 56" h  
 Footboard: 31" h  
 #CHYKB Cal. King: 78" w x 91" d  
 #HYKB King: 83" w x 87" d  
 #HYQB Queen: 67" w x 87" d  
 #HYFB Full: 61" w x 81" d



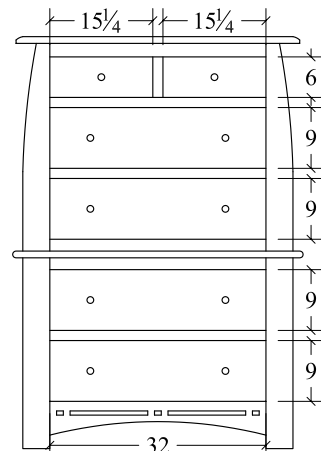
# HAYWORTH BEDROOM COLLECTION SPECIFICATIONS



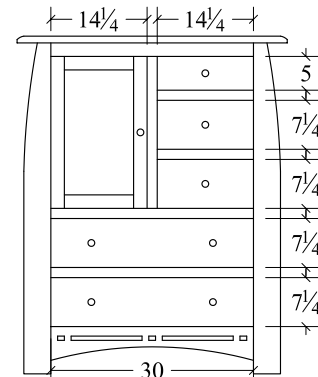
**Chifferobe (HYCB)**  
4 drawer, 3 door  
52 1/2w x 22d x 75h



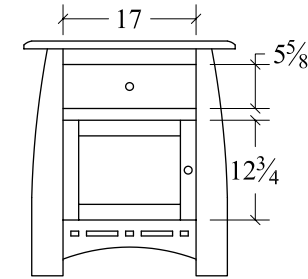
**Armoire (HYAR)**  
3 drawer, 2 door  
42w x 22d x 75h



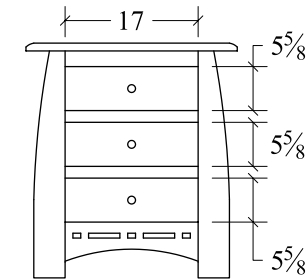
**Chest on Chest (HYCDC)**  
6 drawer  
42w x 22d x 61h



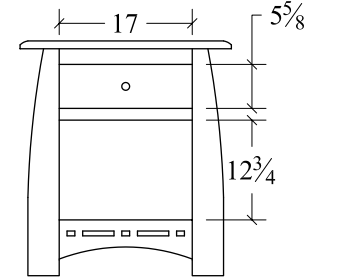
**Door Chest (HYDRC)**  
5 drawer, 1 door  
40w x 22d x 50h



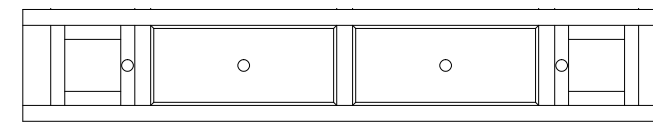
**Nightstand (HYNSII)**  
1 drawer, 1 door  
27w x 18d x 30h



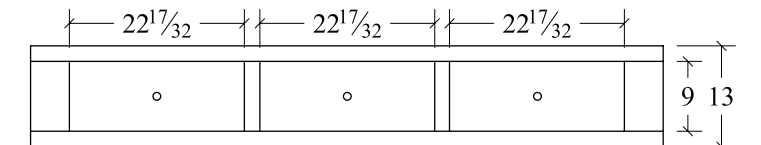
**Nightstand (HYNS)**  
3 drawer  
27w x 18d x 30h



**Nightstand (HYNSI)**  
1 drawer, 1 opening  
27w x 18d x 30h

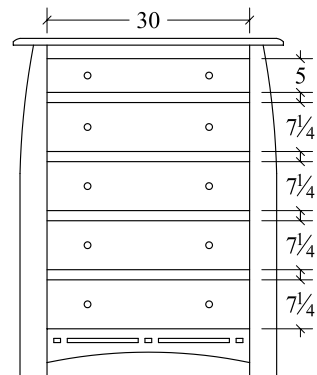


**Bed Storage Rail**  
2 door, 2 drawer

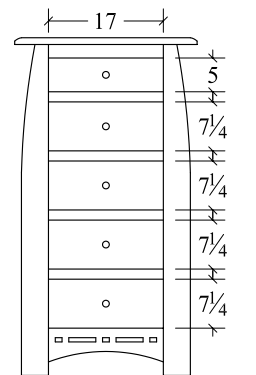


**Bed Storage Rail**  
3 drawer

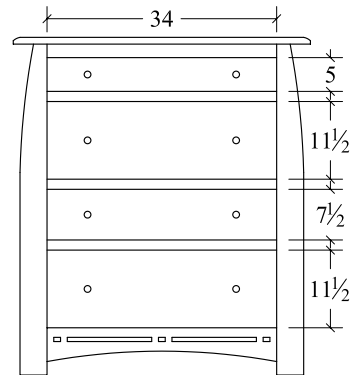
See pricelist for underbed storage order info



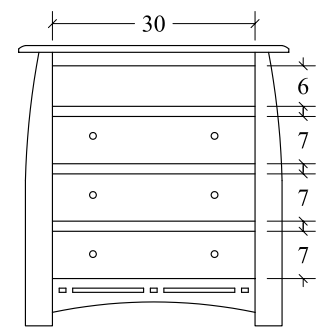
**Chest (HYCD)**  
5 drawer  
40w x 22d x 50h



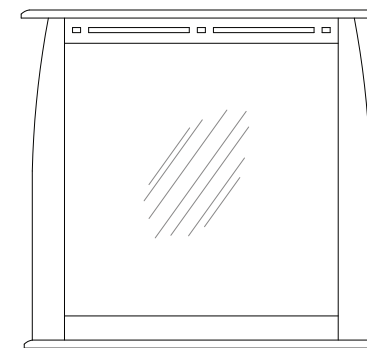
**Lingerie Chest (HYLC)**  
5 drawer  
27w x 18d x 50h



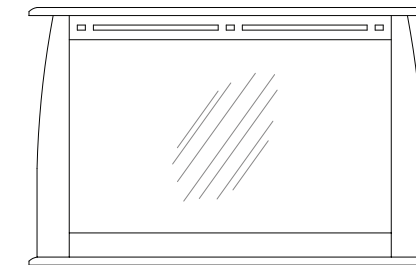
**Desk Chest (HYDC)**  
4 drawer  
44w x 22d x 50h



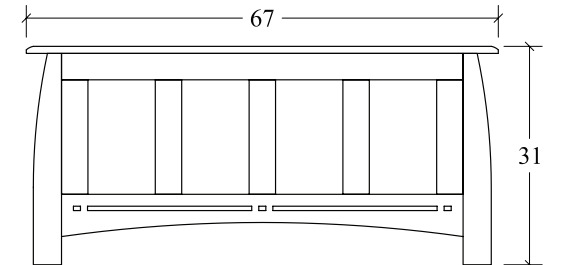
**Media Chest (HYMC)**  
3 drawer, 1 opening  
40w x 22d x 41 1/2h



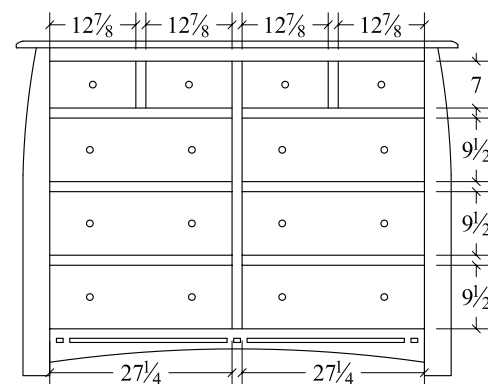
**Mirror (HYMR44)**  
44w x 42h



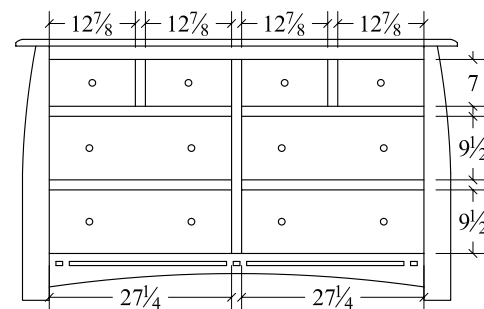
**Mirror (HYMR)**  
50w x 32h



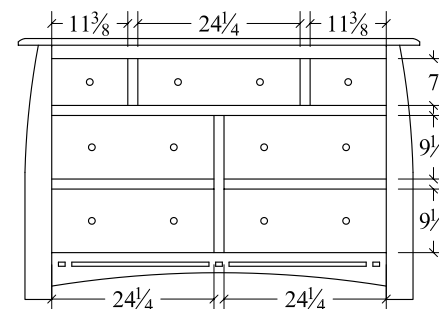
**Queen Footboard (HYQB)**  
67w x 31h



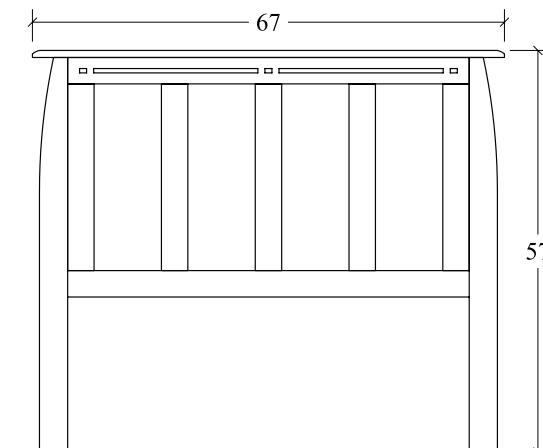
**Dresser (HYDR)**  
10 drawer  
66w x 22d x 50h



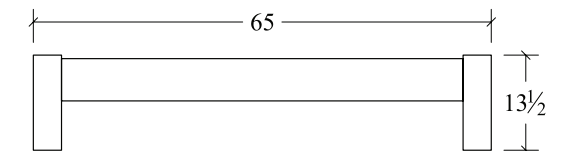
**Dresser (HY8DR66)**  
8 drawer  
66w x 22d x 39h



**Dresser (HY7DR60)**  
7 drawer  
60w x 22d x 39h



**Queen Headboard (HYQB)**  
67w x 57h



**Queen Low Footboard (HYQB)**  
65w x 13 1/2h

# OLD MISSION *Bedroom Collection*

## COLLECTION FEATURES

- Dovetailed, solid wood drawers
- Full extension, side mounted, ball bearing guides
- Fully framed, solid hardwood case goods
- W-2 Hardware
- Mission edge is standard

## COLLECTION OPTIONS

- Hardware Options (see Features & Options page)
- Foot rail is available instead of footboard
- Underbed storage available



**Old Mission Night Stand**  
3 Drawers #OMNS3  
23"w x 17"d x 29 1/2"h



Featuring full extension side mounted slides



Shown in Oak with #32 Michaels Finish & W-2 Hardware



**Old Mission Chest**  
#OMCD  
37"w x 21 1/2"d x 52 1/2"h

**Old Mission Mirror**  
#OMMR  
52"w x 42"h

**Old Mission Dresser**  
#OMDR  
60"w x 21 1/2"d x 38"h



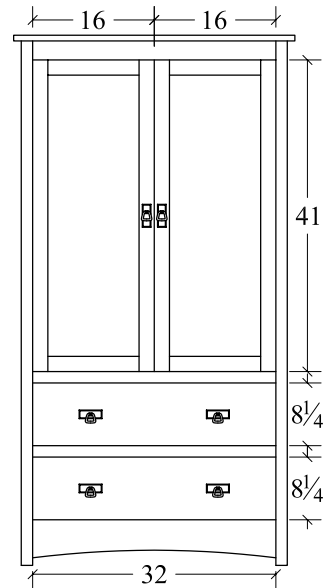
**Old Mission Underbed Storage Option**  
#OMRS

**Old Mission Slat Bed**  
Headboard posts: 56"h  
Footboard posts: 28"h  
#COMKB Cal. King: 85"w x 92"d  
#OMKB King: 89"w x 88"d  
#OMQB Queen: 73"w x 88"d  
#OMFB Full: 67"w x 84"d  
#OMTB Twin: 54"w x 84"d

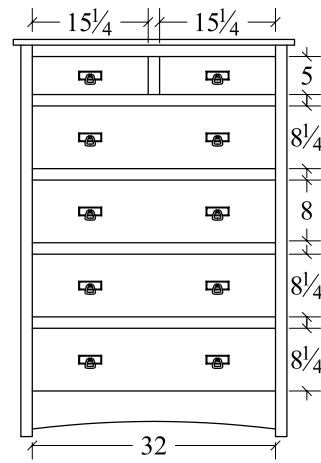
Shown with Storage Rail option



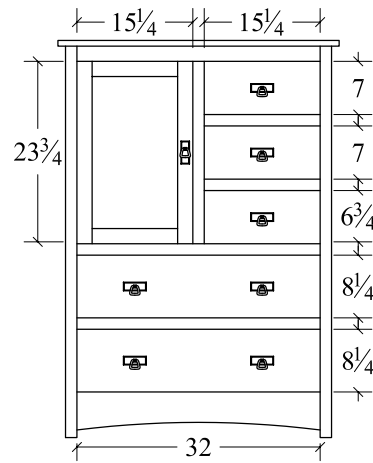
# OLD MISSION BEDROOM COLLECTION SPECIFICATIONS



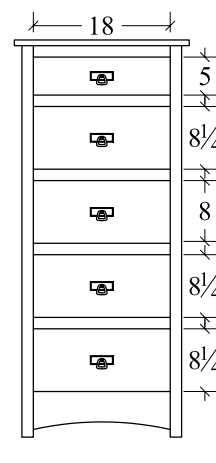
**Armoire (OMAR)**  
2 drawer, 2 door  
37w x 21 1/2d x 70h



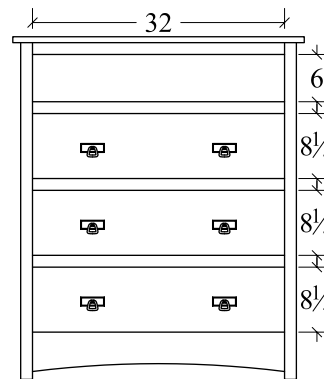
**Chest (OMCD)**  
6 drawer  
37w x 21 1/2d x 52 1/2h



**Door Chest (OMDRC)**  
5 drawer, 1 door  
37w x 21 1/2d x 52 1/2h



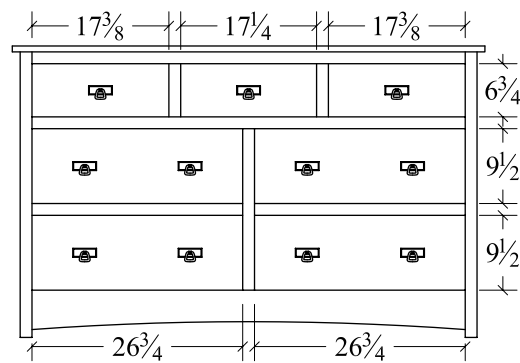
**Lingerie Chest (OMLC)**  
5 drawer  
23w x 17d x 52 1/2h



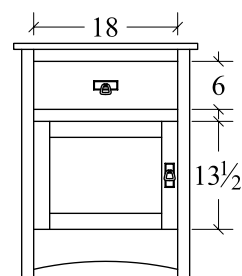
**Media Chest (OMMC)**  
3 drawer, 1 opening  
37w x 21 1/2d x 43 1/2h



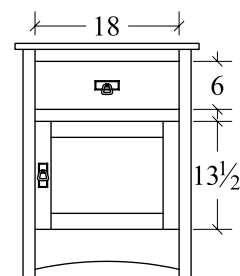
**Dresser (OMDR66)**  
7 drawer  
66w x 21 1/2d x 38h



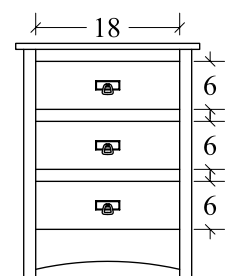
**Dresser (OMDR)**  
7 drawer  
60w x 21 1/2d x 38h



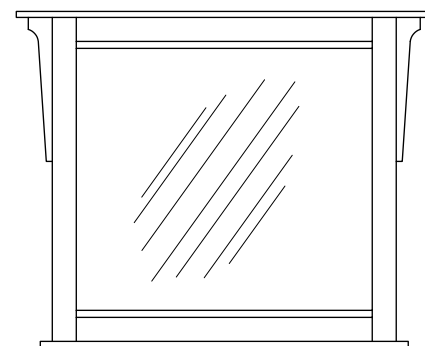
**Night Stand (OMNS11L)**  
1 drawer, 1 door  
23w x 17d x 29 1/2h



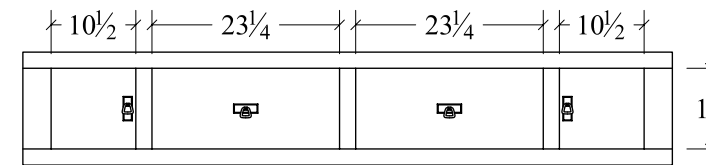
**Night Stand (OMNS11R)**  
1 drawer, 1 door  
23w x 17d x 29 1/2h



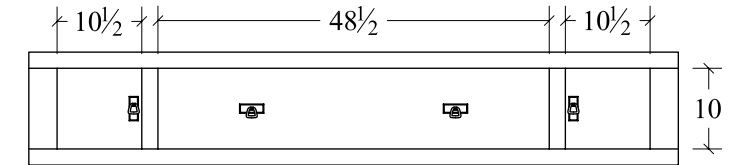
**Night Stand (OMNS3)**  
3 drawer  
23w x 17d x 29 1/2h



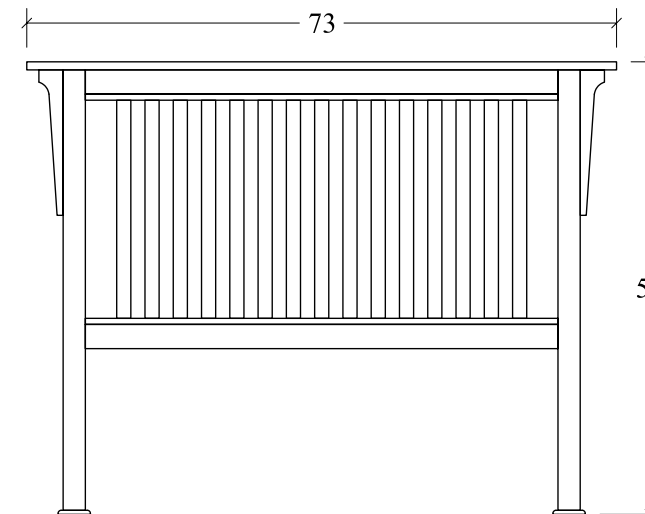
**Mirror (OMMR)**  
52w x 42h



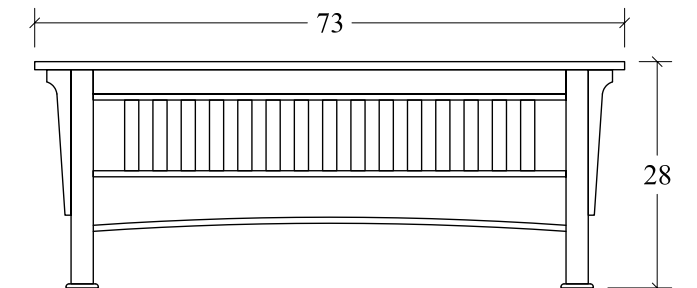
**Storage Rail**  
2 drawer, 2 door  
14h  
See pricelist for underbed storage order info



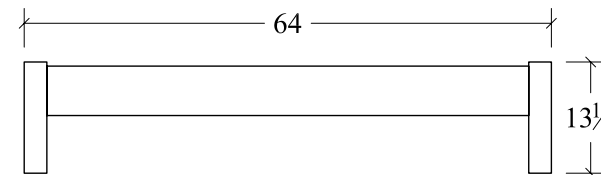
**Storage Rail**  
1 drawer, 2 door  
14h



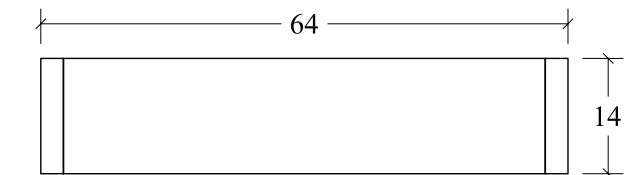
**Queen Headboard (OMQB)**  
73w x 56h



**Queen Footboard (OMQB)**  
73w x 28h



**Queen Low Footboard (OMQB)**  
64w x 13 1/2h



**Queen Low Footboard  
For Storage Rails (OMBQB)**  
64w x 14h

# OLD MISSION BOOKCASE

## *Bedroom Collection*

### COLLECTION FEATURES

- Dovetailed, solid wood drawers
- Full extension, side mounted, ball bearing guides
- Fully framed, solid hardwood case goods
- W-2 Hardware
- Mission edge is standard

### COLLECTION OPTIONS

- Hardware Options (see Features & Options page)
- Underbed storage available



Featuring full extension side mounted slides



• Old Mission Night Stand  
• 3 Drawers #OMNS3  
• 23" w x 17" d x 29 1/2" h



Shown in Oak with #32 Michaels Finish & W-2 Hardware



• Old Mission Chest  
• #OMCD  
• 37" w x 21 1/2" d x 52 1/2" h



• Old Mission Mirror  
• #OMMR  
• 52" w x 42" h

• Old Mission Dresser  
• #OMDR  
• 60" w x 21 1/2" d x 38" h



• Old Mission Underbed Storage Option  
• #OMRS



• Mission Hall Tree  
• #M100131  
• 2" x 2" Post, 70" Tall  
• Oak

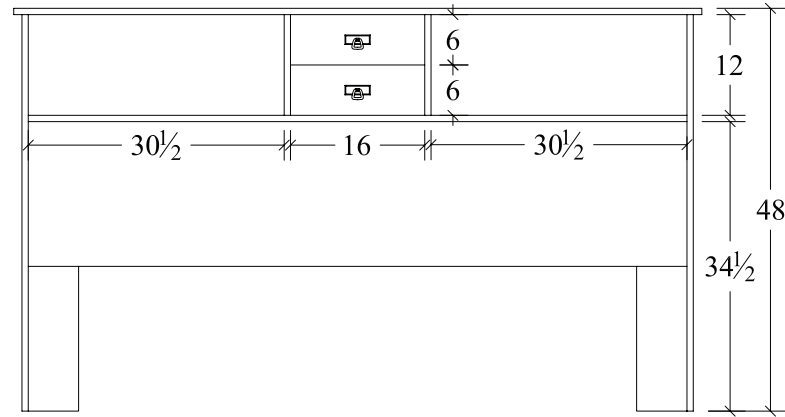


• Old Mission Bookcase Bed  
• Headboard posts: 48" h  
• Footboard posts: 14" h  
• #COMBKB Cal. King: 78" w x 97 3/4" d  
• #OMBKB King: 82" w x 93 3/4" d  
• #OMBQB Queen: 66" w x 93 3/4" d  
• #OMBFB Full: 60" w x 89 3/4" d  
• #OMBTB Twin: 45" w x 89 3/4" d

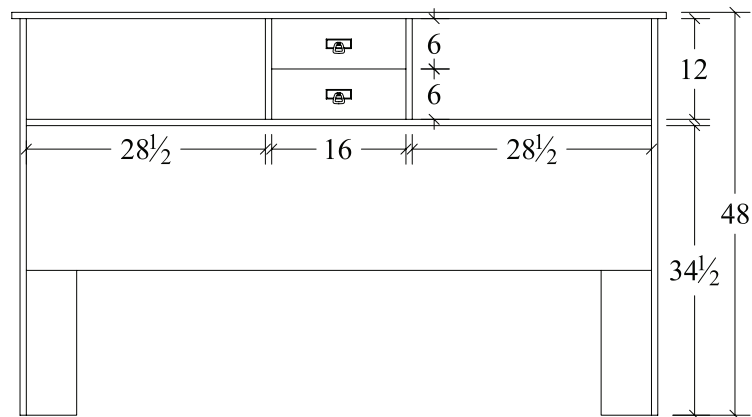
Shown with Storage Rail option

# OLD MISSION BOOKCASE

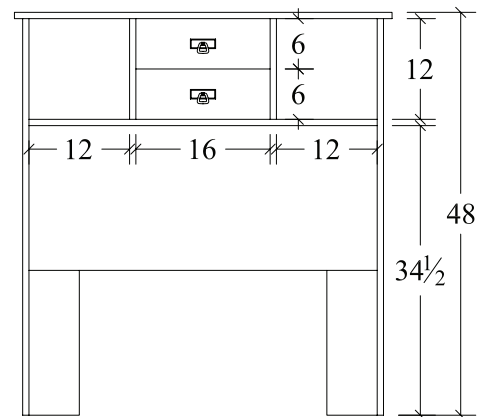
BEDROOM COLLECTION  
SPECIFICATIONS



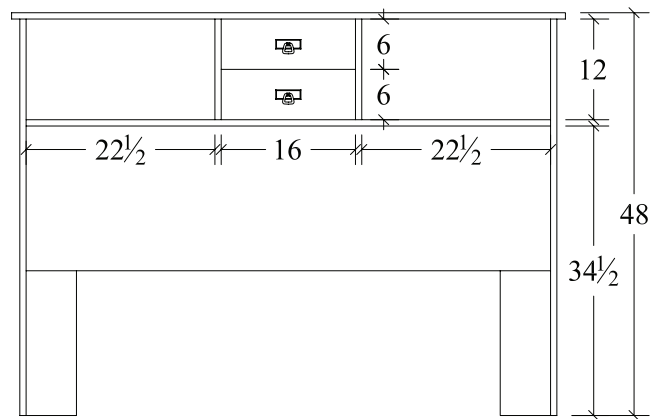
**King Head Board (OMBKB)**  
2 drawer, 2 openings  
82w x 12d x 48h



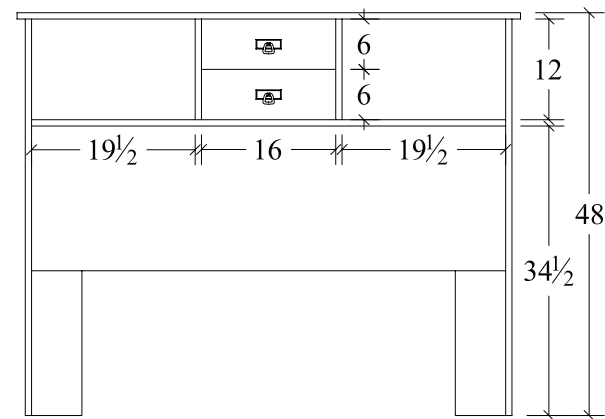
**Cal. King Head Board (COMBKB)**  
2 drawer, 2 openings  
78w x 12d x 48h



**Twin Head Board (OMBTB)**  
2 drawer, 2 openings  
45w x 12d x 48h



**Queen Head Board (OMBQB)**  
2 drawer, 2 openings  
66w x 12d x 48h



**Full Head Board (OMBFB)**  
2 drawer, 2 openings  
60w x 12d x 48h



# PLATTE RIVER *Bedroom Collection*

## COLLECTION FEATURES

- Constructed with mortise and tenon joints
- Cast dovetailed brackets support mattress
- Dovetailed, solid wood drawers
- Full extension, side mounted, ball-bearing guides
- SO-1 knobs for hardware

## COLLECTION OPTIONS

- Hardware options (see Features & Options page)
- Underbed storage available



• **Platte River**  
• **3 Drawer Nightstand**  
• #PLRNS3  
• 23"x 17"x 29 1/2"



• **Platte River**  
• **52" Dresser Mirror**  
• #PLRMR  
• 52"x 40"



• **Platte River**  
• **Chest**  
• #PLRCD  
• 37"x 21 1/2"x 53"

• **Platte River 7 Drawer**  
• **60" Dresser**  
• #PLRDR  
• 60"x 21 1/2"x 38"



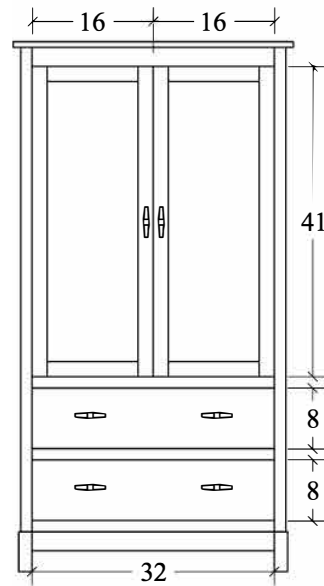
Shown in Brown Maple with #113 Oatmeal



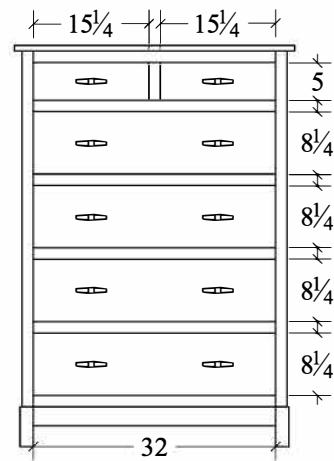
• **Platte River Bed**  
• Headboard posts: 54"h  
• Footboard posts: 19"h

# PLATTE RIVER BEDROOM COLLECTION

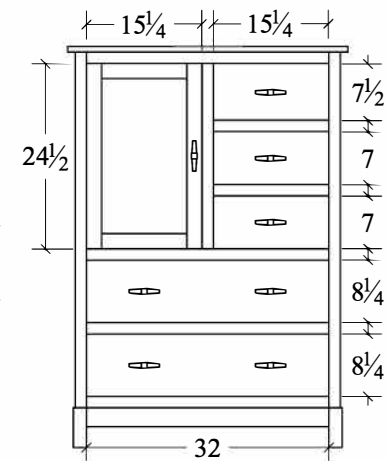
## SPECIFICATIONS



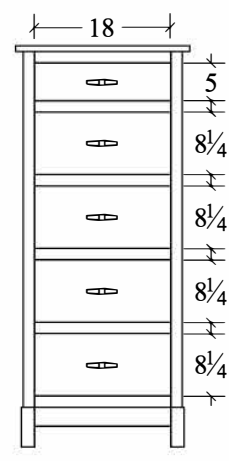
**Armoire (PLRAR)**  
2 drawer, 2 door  
37w x 21 1/2d x 70h



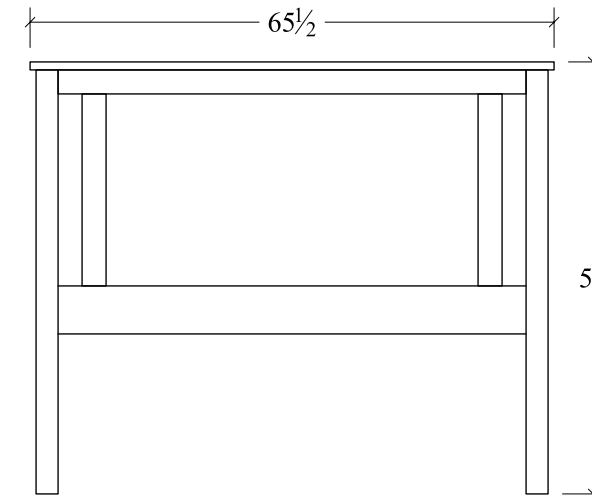
**Chest (PLRCD)**  
6 drawer  
37w x 21 1/2d x 53h



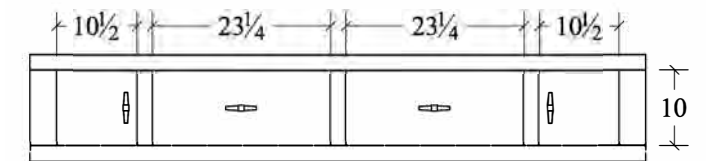
**Door Chest (PLRDRC)**  
5 drawer, 1 door 37w x  
21 1/2d x 53h



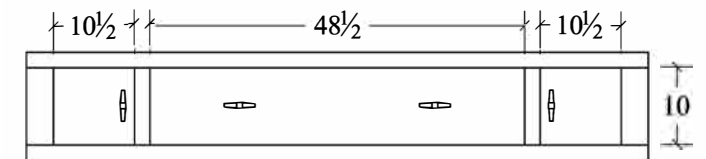
**Lingerie Chest (PLRLC)**  
5 drawer  
23w x 17d x 53h



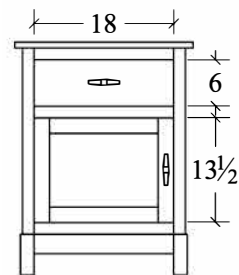
**Queen Headboard (1-PLRQB)**  
65 1/2w x 54h



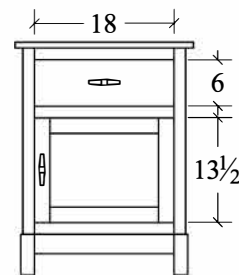
**Storage Rail (PLRS)**  
2 drawer, 2 door  
80 1/2w x 14h



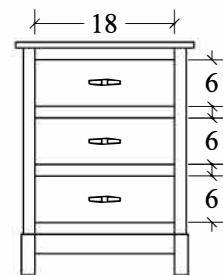
**Storage Rail (PLRS1)**  
1 drawer, 2 door  
80 1/2w x 14h



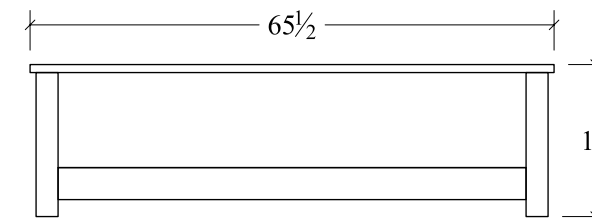
**Night Stand (PLNS11L)**  
1 drawer, 1 door  
23w x 17d x 29 1/2h



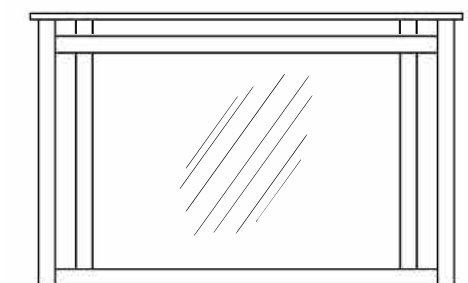
**Night Stand (PLNS11R)**  
1 drawer, 1 door  
23w x 17d x 29 1/2h



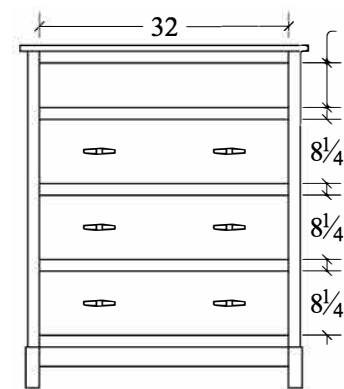
**Night Stand (PLNS3)**  
3 drawer  
23w x 17d x 29 1/2h



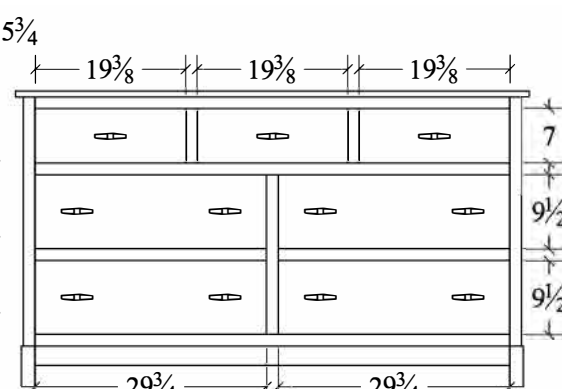
**Queen Footboard (2-PLRQB)**  
65 1/2w x 19h



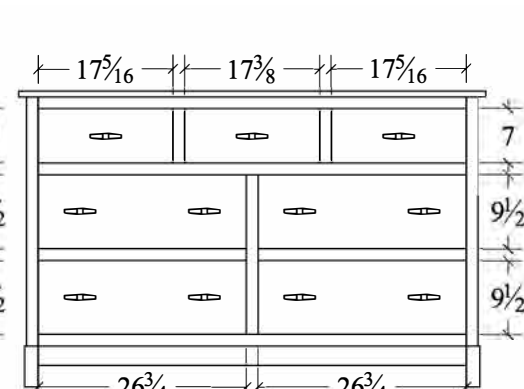
**Mirror (PLMR)**  
52w x 40h



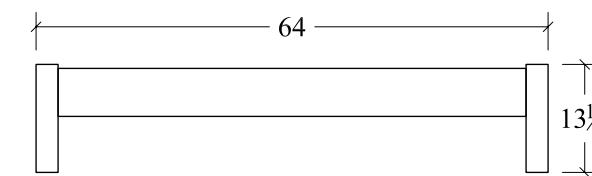
**Media Chest (PLMC)**  
3 drawer, 1 opening  
37w x 21 1/2d x 44h



**Dresser (PLDR66)**  
7 drawer  
66w x 21 1/2d x 38h



**Dresser (PLDR)**  
7 drawer  
60w x 21 1/2d x 38h



**Queen Low Footboard (3-PLRQB)**  
64w x 13 1/2h

# SAVANNAH *Bedroom Collection*

## COLLECTION FEATURES

- Mirror has a bevel-cut edge
- Constructed with mortise and tenon joints
- Cast dovetailed brackets support mattress
- Dovetailed, solid wood drawers
- Soft-closing, full extension, undermount drawer guides
- Case goods are fully framed, solid wood
- Case goods are built with floating panel construction
- Case goods feature 1" solid top

- Armoire features 2 solid hardwood, adjustable shelves
- Chest features a cedar-lined bottom drawer
- Dresser features dividers in second row drawers
- Bench seat has storage space and features black leather seat
- Desk chest features pullout tray with drawers and bottom drawer file cabinet
- H-8 Hardware
- Mission edge is standard

## COLLECTION OPTIONS

- Distressed finish (#2D)
- Hand-planed tops (#HPD)
- Hardware Options (see Features & Options page)
- Foot rail instead of footboard (#1FD)
- Under bed storage unit (#2RS)
- Three plug power strip. Case goods available with touch switch LED night light (#LEDN)
- Night Stand available with sliding top, hidden compartment, lock and three plug power strip (#STP)
- Armoire available with 1 hanger rod instead of 2 adjustable shelves
- Additional adjustable armoire shelves available (#AJS)
- Additional drawer dividers available (#DD)
- Dresser drawer available with felt-lined jewelry tray (#SJT)
- Additional cedar-lined drawers available (#CB)
- Docking drawer (#DKD)



• **Savannah Night Stand**  
• #SHNS  
• 24"w x 16 1/2"d x 30"h



• **Savannah Armoire**  
• #SHAR  
• 42"w x 23"d x 71"h



• **Savannah Mirror**  
• #SHMR  
• 52"w x 31"h

• **Savannah Dresser**  
• #SHDR  
• 66"w x 22"d x 45"h



Shown in Quartersawn Oak with #30 Asbury Stain & H-8 Hardware

• **Savannah Lingerie Chest**  
• #SHLC  
• 24"w x 16 1/2"d x 53"h



• **Savannah Bed**  
• Headboard: 58"h  
• Footboard: 24"h  
• #CSHKB Cal. King: 81"w x 92"d  
• #SHKB King: 85"w x 88"d  
• #SHQB Queen: 69"w x 88"d  
• #SHFB Full: 63"w x 82"d



# SAVANNAH *Bedroom Collection*

CONTINUED...



• Savannah Chest  
• #SHCD  
• 40" w x 22" d x 53" h



• Savannah Blanket Chest  
• #SHBC  
• 48" w x 20" d x 24" h

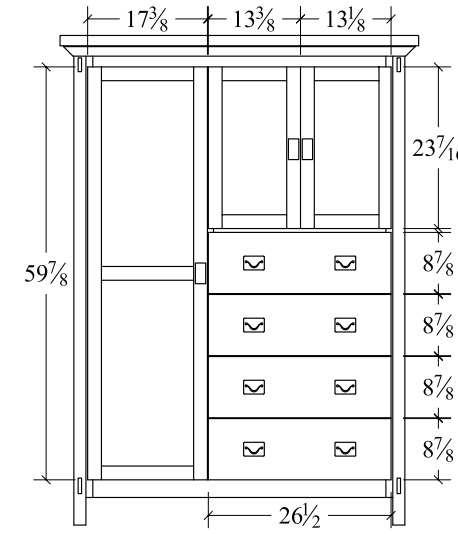


• Classic Bench  
• #CCBSL  
• Fabric or Leather  
• 36" w x 17" d x 19" h

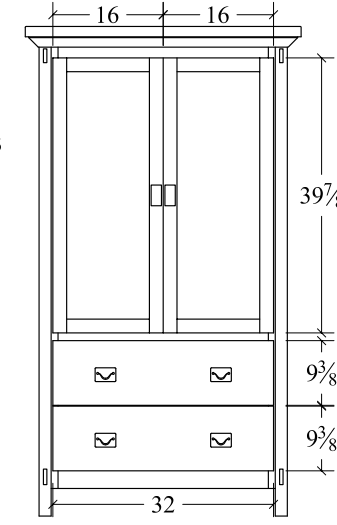


• ALTERNATIVE BED OPTIONS:  
• Beckley Bed  
• Headboard: 58" h  
• Footboard: 36" h  
• #CBYKB Cal. King: 77 1/2" w x 90" d  
• #BYKB King: 81 1/2" w x 86" d  
• #BYQB Queen: 65 1/2" w x 86" d  
• #BYFB Full: 59 1/2" w x 80" d

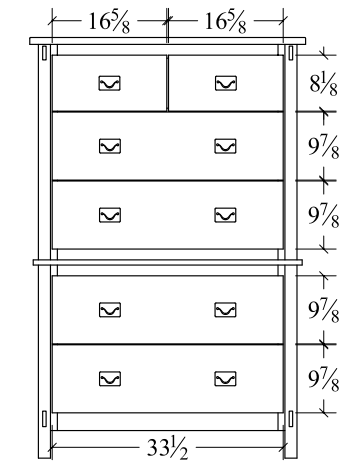
# SAVANNAH BEDROOM COLLECTION SPECIFICATIONS



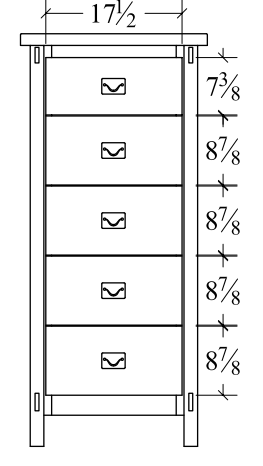
Chifferobe (SHCB)  
4 drawer, 3 door  
52w x 23d x 71h



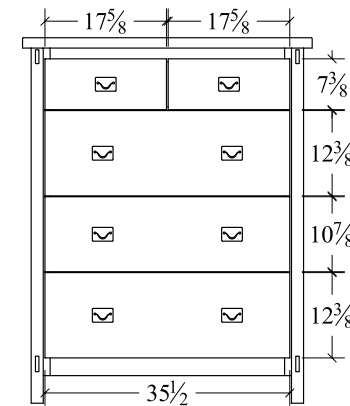
Armoire (SHAR)  
2 drawer, 2 door  
42w x 23d x 71h



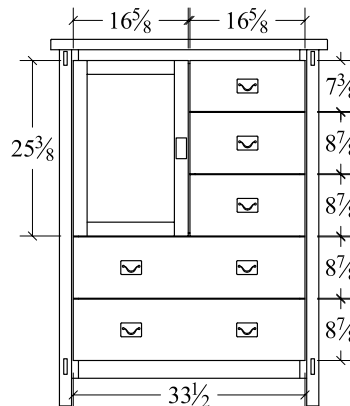
Chest on Chest (SHCDC)  
6 drawer  
40w x 22d x 61h



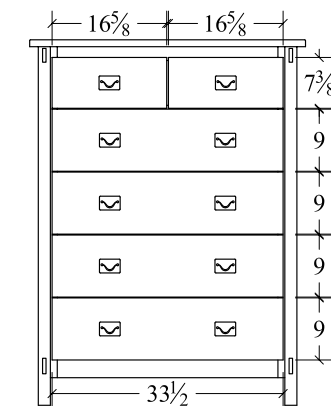
Lingerie Chest (SHLC)  
5 drawer  
24w x 16 1/2d x 53h



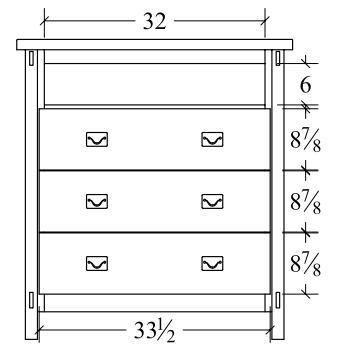
Desk Chest (SHDC)  
5 drawer  
42w x 22d x 53h



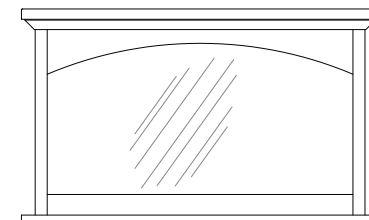
Door Chest (SHDRC)  
5 drawer, 1 door  
42w x 22d x 53h



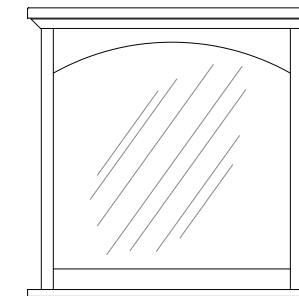
Chest (SHCD)  
6 drawer  
40w x 22d x 53h



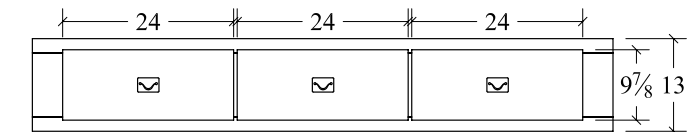
Media Chest (SHMC)  
3 drawer, 1 opening  
40w x 22d x 43h



Mirror (SHMR)  
52w x 31h

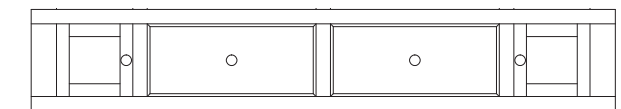


Mirror (SHMR40)  
42w x 42h



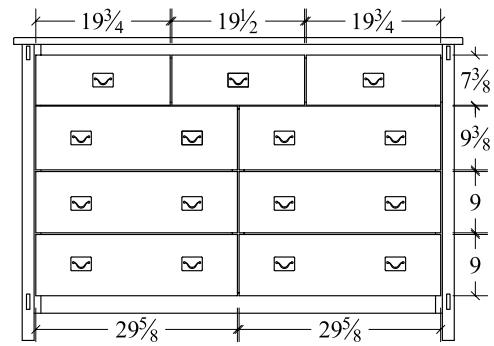
Bed Storage Rail  
3 drawer

See pricelist for underbed storage order info.

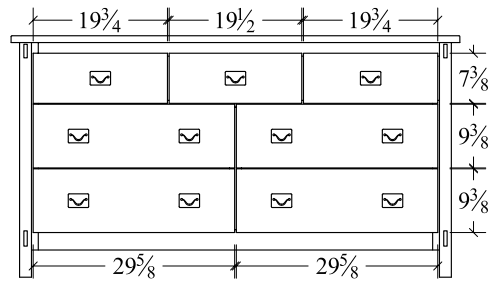


Bed Storage Rail  
2 door, 2 drawer

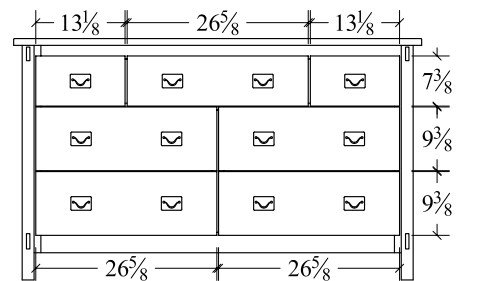
# SAVANNAH BEDROOM COLLECTION SPECIFICATIONS



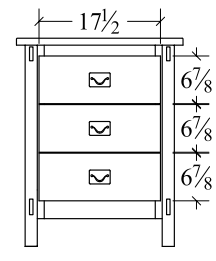
**Dresser (SHDR)**  
9 drawer  
66w x 22d x 45h



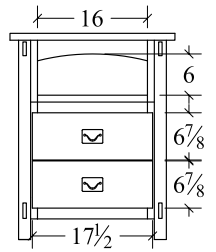
**Dresser (SH7DR66)**  
7 drawer  
66w x 22d x 36h



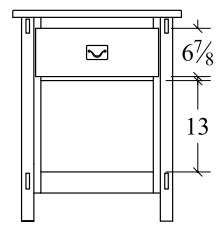
**Dresser (SH7DR60)**  
7 drawer  
60w x 22d x 36h



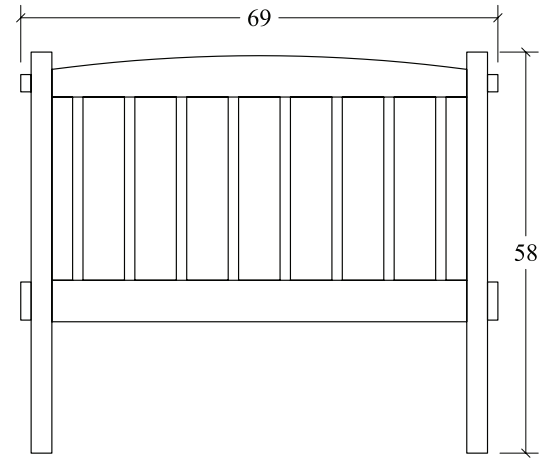
**Nightstand (SHNS3)**  
3 drawer  
24w x 16 1/2d x 30h



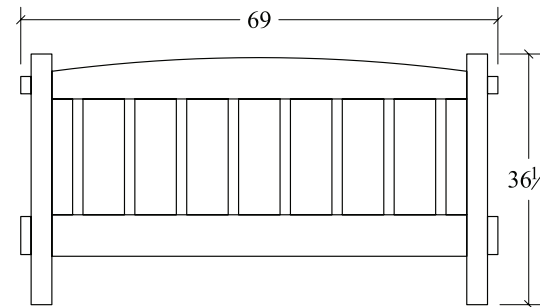
**Nightstand (SHNS)**  
2 drawer, 1 opening  
24w x 16 1/2d x 30h



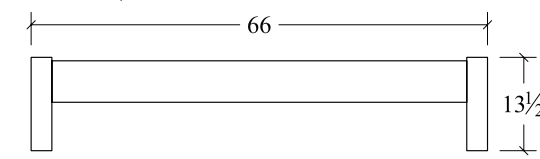
**Nightstand (SHNS1)**  
1 drawer, 1 opening  
24w x 16 1/2d x 30h



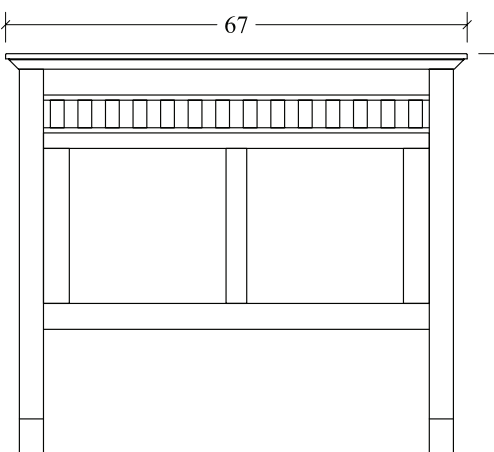
**Queen Headboard (BYQB)**  
69w x 58h



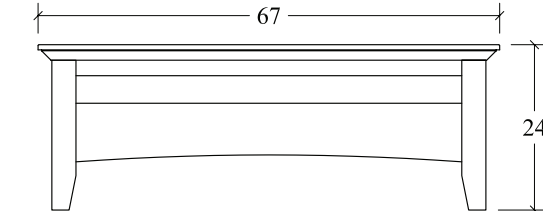
**Queen Footboard (BYQB)**  
69w x 36 1/4h



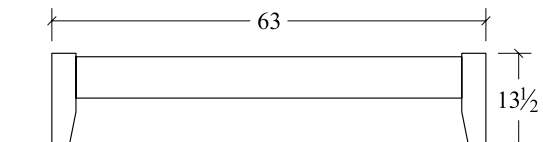
**Queen Low Footboard (BYQB)**  
66w x 13 1/2h



**Queen Headboard (SHQB)**  
67w x 58h



**Queen Footboard (SHQB)**  
67w x 24h



**Queen Low Footboard (SHQB)**  
63w x 13 1/2h



# SIMPLICITY *Bedroom Collection*

## COLLECTION FEATURES

- Mirrors have bevel cut edges
- Constructed with mortise and tenon joints
- Dovetailed, solid wood drawers
- Soft-closing, full extension, undermount drawer guides
- Cutout in drawer fronts for handles

## COLLECTION OPTIONS

- Low footboard option
- Distressed finish (#2D)
- Underbed storage options
- Choose any fabric or leather from the Fusion options



Walnut Inlays and bases on select case goods are standard

Drawing from the streamlined looks and clean lines of mid-century modern design and pared-down aesthetic of Scandinavian spaces, the Simplicity collection is a contemporary interpretation of Shaker style re-imagined for today's more modern tastes. Smaller-scaled with an emphasis on flexibility, the collection is marked by angular posts and pilasters and functional open shelving that offers the fresh and airy feeling indicative of these serene, light-filled styles. Finished in a mellow brown maple stain coupled with tapered walnut bases, legs, and contrasting walnut bow tie accents, these multi-functional bedroom pieces easily move from one room to another depending on decorating needs.



Shown in Brown Maple with walnut accents and #99 Toffee finish.

## Simplicity Panel Bed

Footboard: 18" h

- #51-1501T Twin: 41 1/2" x 60"
- #51-1501F Full: 57 1/2" x 60"
- #51-1501Q Queen: 63 1/2" x 60"
- #51-1501K King: 79 1/2" x 60"
- #51-1501C Cal King: 75 1/2" x 60"



## Simplicity Upholstered Bed

Footboard: 18" h

- #51-1502T Twin: 42 1/2" x 58"
- #51-1502F Full: 57 1/2" x 58"
- #51-1502Q Queen: 63 1/2" x 58"
- #51-1502K King: 79 1/2" x 58"
- #51-1502C Cal King: 75 1/2" x 58"



# SIMPLICITY *Bedroom Collection*

CONTINUED...



• **Simplicity Open Nightstand**  
• #51-1602  
• 28" w x 18" d x 28" h



• **Simplicity Nightstand**  
• #51-1603  
• 28" w x 18" d x 29" h



• **Simplicity 6 Drawer Dresser**  
• #51-1801  
• 40" w x 19" d x 54" h



Walnut Inlays and bases on select case goods are standard



Middle drawer of Media Dresser folds down



• **Simplicity Media Dresser**  
• #51-1701  
• 56" w x 19" d x 44" h

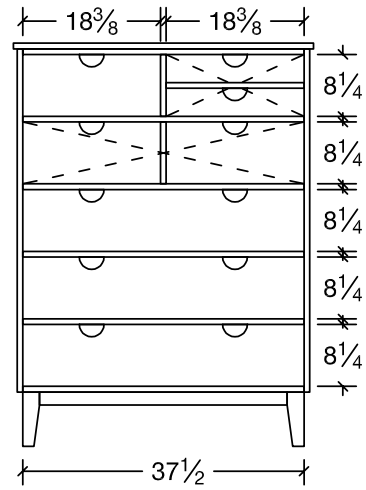


• **Simplicity Landscape Mirror**  
• #51-2001  
• 43" x 30"

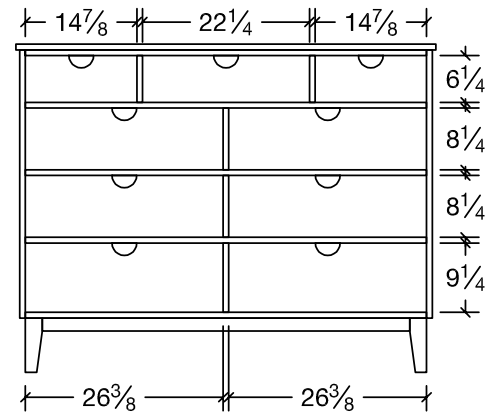


• **Simplicity 8 Drawer Dresser**  
• #51-1702  
• 64" w x 19" d x 36" h

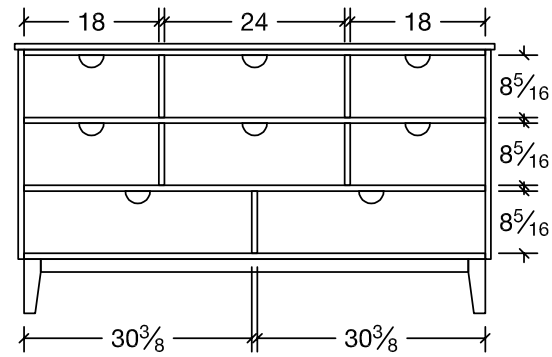
# SIMPLICITY BEDROOM COLLECTION SPECIFICATIONS



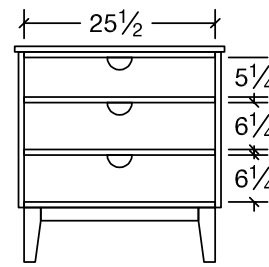
**51-1801**  
6 Drawer Chest  
6 drawer  
40w x 19d x 53 3/4h



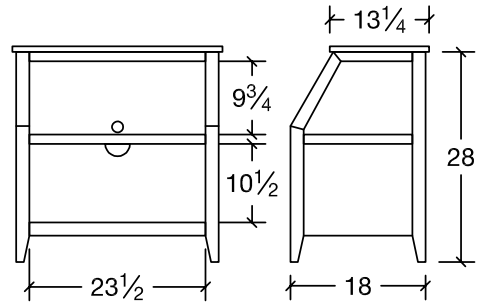
**51-1701**  
Media Dresser  
8 drawer  
56w x 19d x 43 3/4h



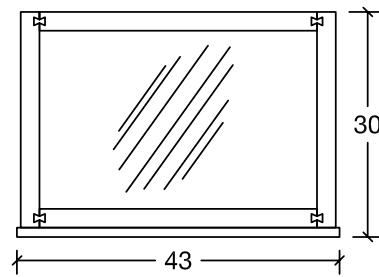
**51-1702**  
8 Drawer Dresser  
8 drawer  
64w x 19d x 36h



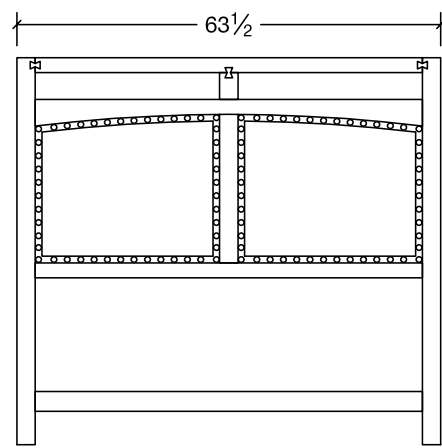
**51-1603**  
3 Drawer Night Stand  
3 Drawers  
28w x 18d x 28 3/4h



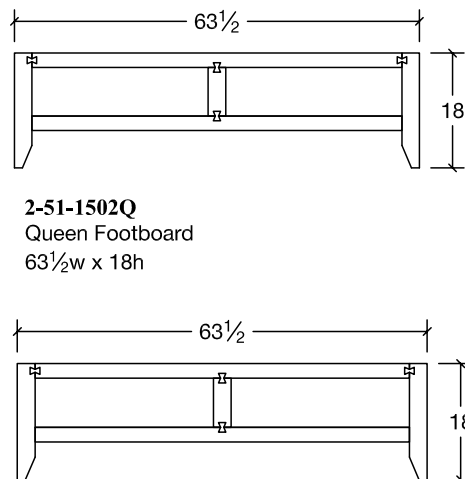
**51-1602**  
Open Night Stand  
1 Drawer, 1 Shelf  
28w x 18d x 28h



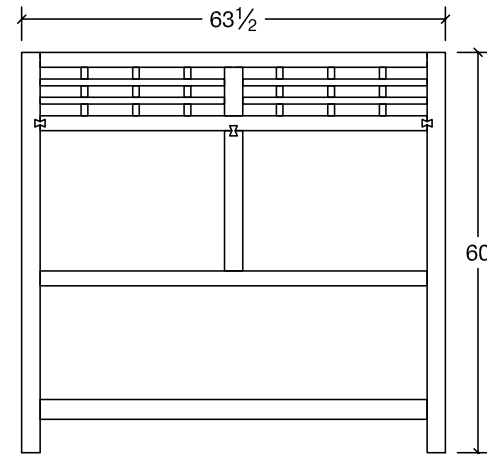
**51-2001**  
Landscape Mirror  
43w x 30h



**1-51-1502Q**  
Queen Upholstered  
Headboard  
63 1/2w x 58h



**2-51-1501Q**  
Queen Footboard  
63 1/2w x 18h



**1-51-1501Q**  
Queen Headboard  
63 1/2w x 60h



# SOMA *Bedroom Collection*

## COLLECTION FEATURES

- Mirrors have bevel cut edges
- Constructed with mortise and tenon joints
- Cast dovetailed brackets support mattress
- Dovetailed solid wood drawers
- Chest features a cedar lined drawer bottom
- Dresser features dividers in second row drawers
- Hardware not available on other collections

## COLLECTION OPTIONS

- Distressed Finish (#2D)
- Hardware Options-See hardware page in Features & Options section
- Underbed Storage Options
- LED nightlight (#LEDN)
- Additional drawer dividers for dressers (#DD)
- Dresser drawer available with felt lined jewelry tray (#SJT)
- Additional cedar lined drawers available (#CB)
- See upholstery book for fabric or leather choice



**Soma Upholstered Bed**  
 Headboard: 61 1/2" h  
 Footboard: 18" h  
 #CSMUKB Cal. King: 80" w x 90" d  
 #SMUKB King: 84" w x 86" d  
 #SMUQB Queen: 68" w x 86" d  
 #SMUFB Full: 62" w x 80" d



**Soma Panel Bed**  
 Headboard: 56" h  
 Footboard: 38 1/2" h  
 #CSMKB Cal. King: 77" w x 91" d  
 #SMKB King: 81" w x 87" d  
 #SMQB Queen: 65" w x 87" d  
 #SMFB Full: 59" w x 81" d



Shown in Rustic Cherry with 103 Dew Finish

# SOMA *Bedroom Collection*

CONTINUED...



Soma Mirror  
#SMMR  
44 1/2" w x 36 1/2" h

Soma 7-Drawer Dresser  
#SMDR66  
66 1/4" w x 18" d x 39 3/4" h



Soma 3-Drawer Night Stand  
#SMNS3  
30" w x 17" d x 28" h

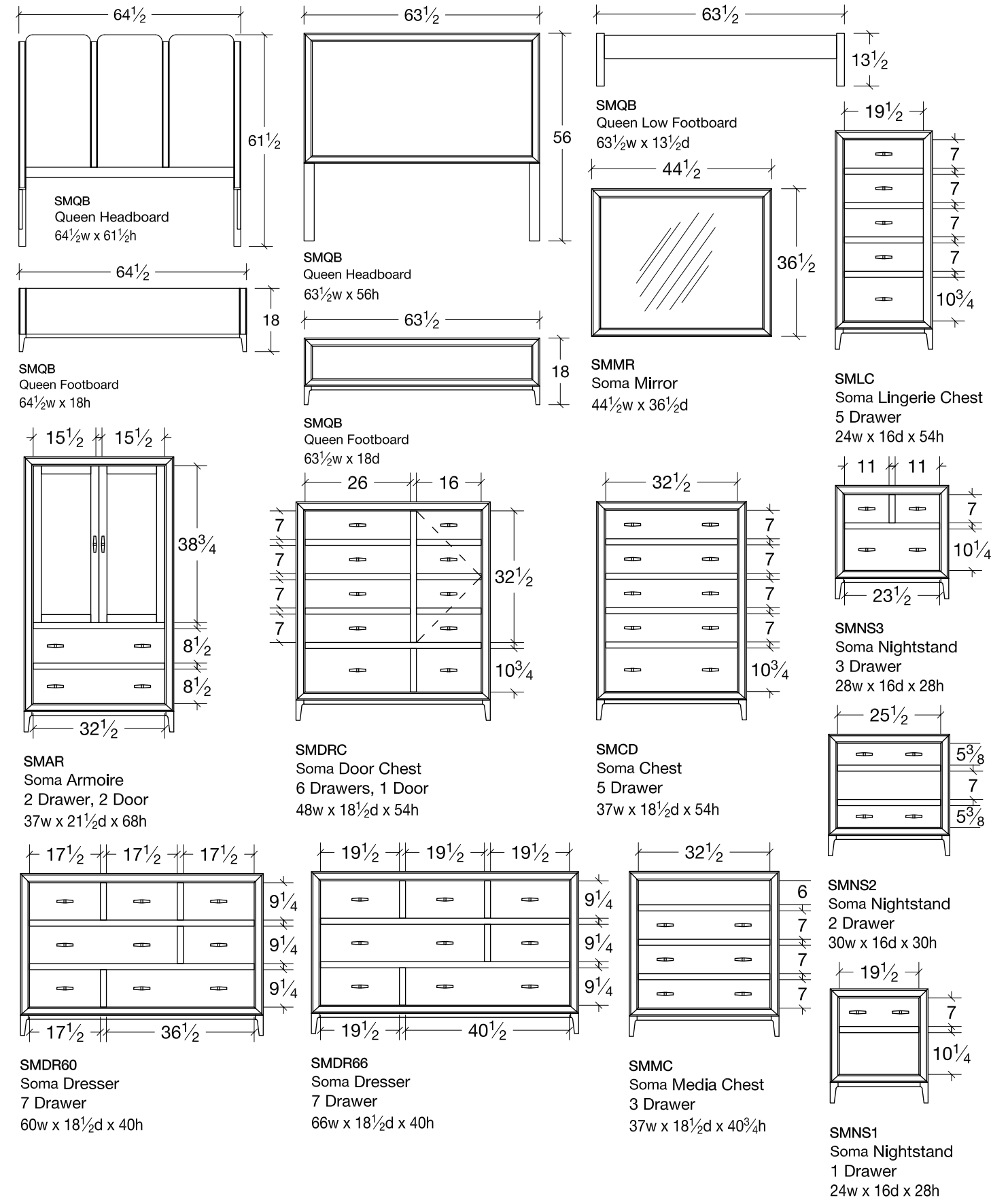


Soma Door Chest  
#SMDRC  
42" w x 19 1/2" d x 52 1/2" h



Soma 2-Drawer Night Stand  
#SMNS2  
30" w x 17" d x 28" h

# SOMA BEDROOM COLLECTION SPECIFICATIONS



# VICTOR *Bedroom Collection*

## COLLECTION FEATURES

- Live edges on bed & tops
- Mortise & tenon joints
- Dovetailed solid wood drawers
- Soft-close full extension drawers
- Fully framed solid wood case goods
- 1 1/4" thick tops
- Bevel-cut mirror
- Mattress supported with cast dovetail brackets
- Two solid hardwood adjustable shelves on armoire
- Cedar lined bottom drawer on chest
- Dividers in second row drawers on dresser
- Black hardware (not available on other collections)

## COLLECTION OPTIONS

- Hardware Options (see Features & Options page)
- Additional adjustable shelf for armoire (#AJS)
- Optional under bed storage unit
- Touch switch LED night light (#LEDN)
- Night Stand available with sliding top, hidden compartment, lock & three-plug power strip (#STP)
- Armoire available with 1 hanger in place of 2 adjustable shelves
- Additional drawer dividers (#DD)
- Dresser drawer available with felt lined jewelry tray (#SJT)
- Additional cedar lined drawers (#CB)
- Docking drawer (#DKD)

See Features & Options section for expectations and details on live edge tops.



Live edge detail



Shown in Rustic Cherry with #74 Rustic Bourbon Finish



- **Victor 2-Drawer Nightstand**
- #VINS
- 27 1/2"w x 17"d x 28 1/2"h



Brushed black hardware is exclusive to the Victor Collection



- **Victor Bed**
- Headboard 52"h
- Footboard 13 1/2"h
- #CVIKB Cal King 76"w x 90 1/2"d
- #VIKB King 80"w x 86 1/2"d
- #VIQB Queen 64"w x 86 1/2"d
- #VIFB Full 58"w x 80 1/2"d
- #VITB Twin 43"w x 80 1/2"d

# VICTOR *Bedroom Collection*

CONTINUED...



Brushed black hardware is exclusive to the Victor Collection



Victor Chest  
#VICD  
41 1/2" w x 22 1/4" d x 53" h

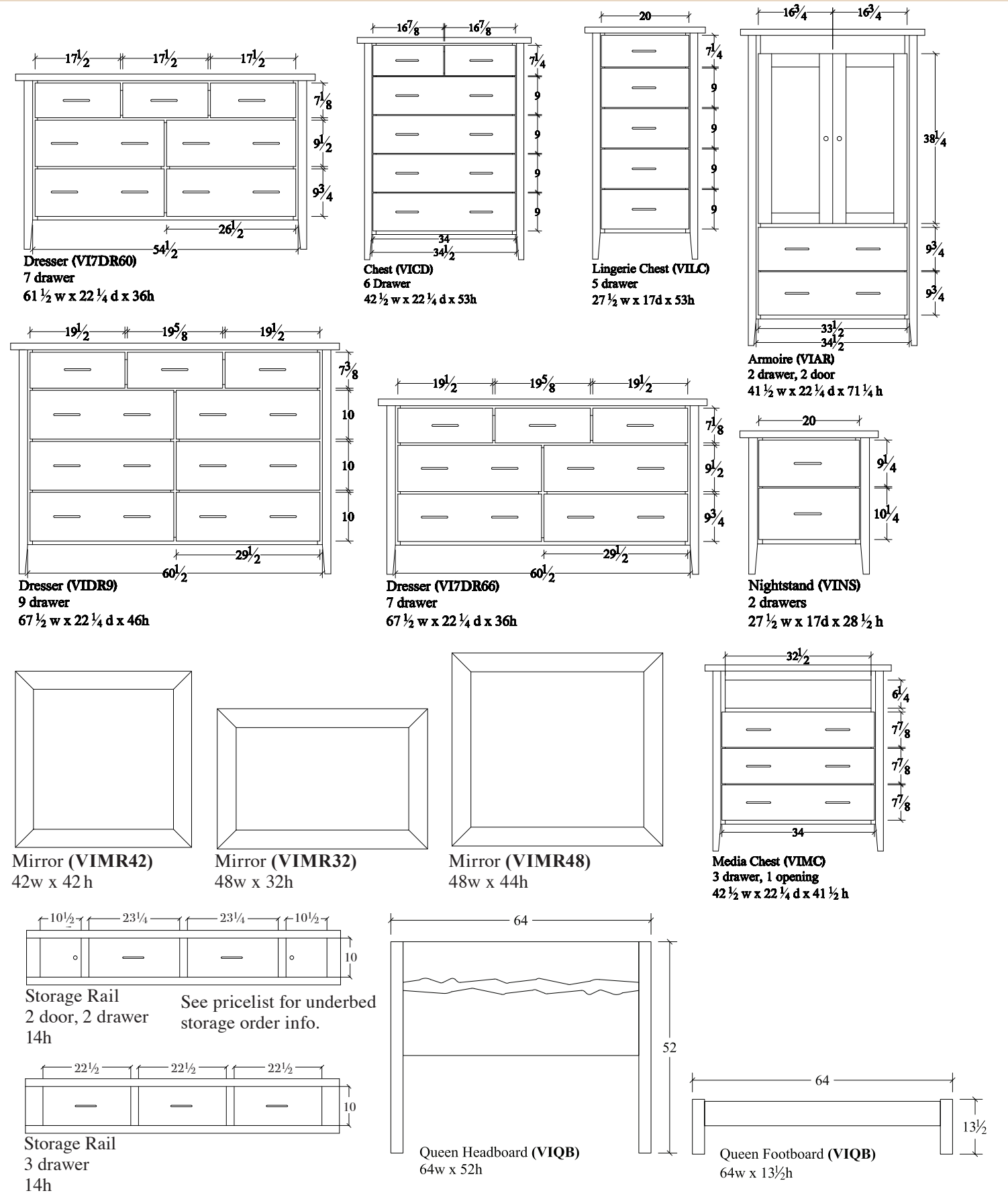


Victor 48" Mirror  
#VIMR48  
48" w x 32" h



Victor 7-Drawer Dresser  
#VI7DR66  
67 1/2" w x 22 1/4" d x 36" h

# VICTOR BEDROOM COLLECTION SPECIFICATIONS



# WOODROW *Bedroom Collection*

## COLLECTION FEATURES

- Cove-cut drawer fronts
- Mirrors have bevel cut edges
- Constructed with mortise and tenon joints
- Cast dovetailed brackets support mattress
- Dovetailed solid wood drawers
- Soft-closing full extension undermount drawer guides
- Chest features a cedar lined drawer bottom
- Dresser features dividers in second row drawers
- Nickel Hardware, not available on other collections

## COLLECTION OPTIONS

- Distressed Finish (#2D)
- Hardware Options (see Features & Options page)
- Underbed Storage Options
- LED nightlight (#LEDN)
- Docking drawer with power (#DKD)
- Additional drawer dividers for dressers (#DD)
- Dresser drawer available with felt lined jewelry tray (#SJT)
- Additional cedar lined drawers available (#CB)



• • •  
**Woodrow 3 Drawer Nightstand**  
 #WWNS3  
 26"w x 16 1/2"d x 29"h



Brown Maple with #99 Toffee Finish



• • •  
**Woodrow Chest**  
 #WWCD  
 38"w x 19"d x 52"h



• • •  
**Woodrow 60" Dresser Mirror**  
 #WWMR  
 42 1/2"w x 39"h



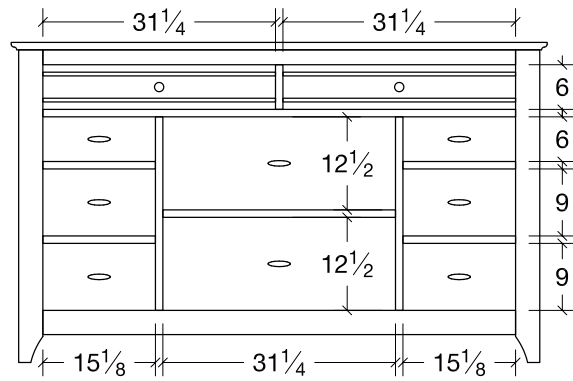
• • •  
**Woodrow 60" dresser**  
 #WWDR60  
 60"w x 19"d x 38"h



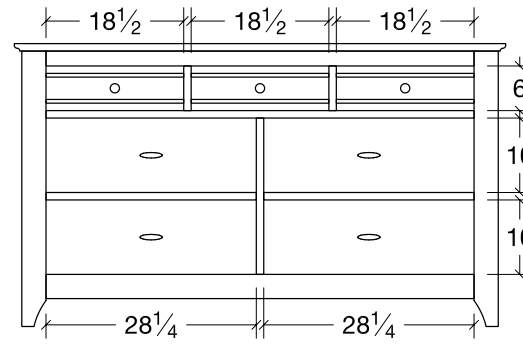
• • •  
**Woodrow Bed**  
 • Headboard 60"h  
 • Footboard 18"h  
 • #WWCKB Cal. King Bed 76"w x 90"d  
 • #WWKB King Bed 80"w x 86"d  
 • #WWQB Queen Bed 63"w x 86"d  
 • #WWFB Full Bed 58"w x 80"d  
 • #WWTB Twin Bed 43"w x 80"d

# WOODROW

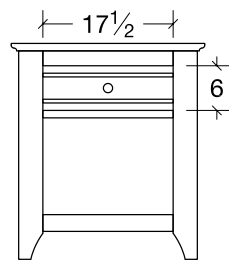
## BEDROOM COLLECTION SPECIFICATIONS



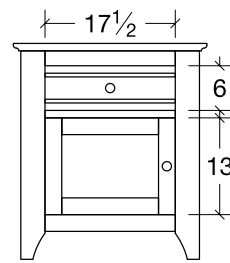
**Dresser (WWDR72)**  
10 drawer  
72w x 19d x 43h



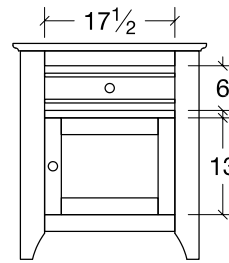
**Dresser (WW7DR66)**  
7 drawer  
66w x 19d x 38h



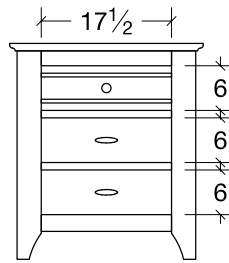
**Night Stand (WWNS1)**  
1 drawer  
26w x 16 1/2d x 29h



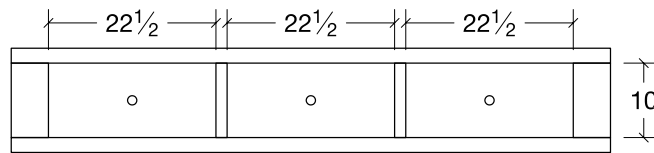
**Night Stand (WWNS1DL)**  
1 drawer, 1 door  
26w x 16 1/2d x 29h



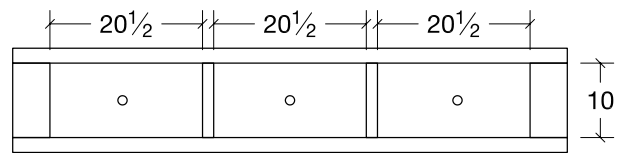
**Night Stand (WWNS1DR)**  
1 drawer, 1 door  
26w x 16 1/2d x 29h



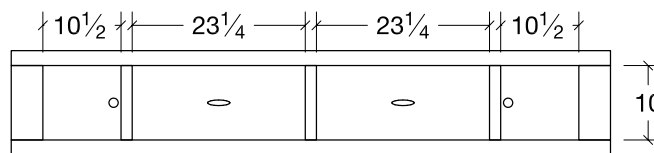
**Night Stand (WWNS3)**  
3 drawer  
26w x 16 1/2d x 29h



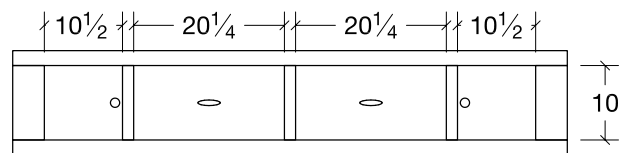
**Storage Rail, King and Queen**  
3 drawer  
80 1/2w x 14h



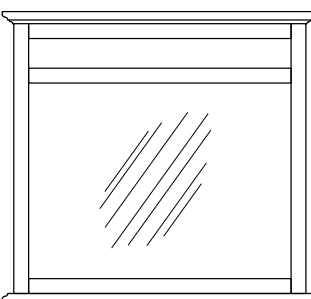
**Storage Rail, Full**  
3 drawer  
74 1/2w x 14h



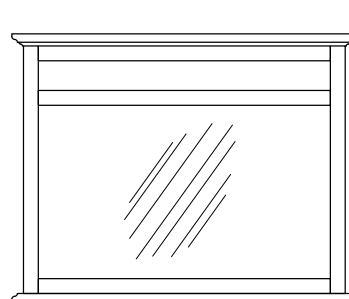
**Storage Rail, King and Queen**  
2 drawer, 2 door  
80 1/2w x 14h



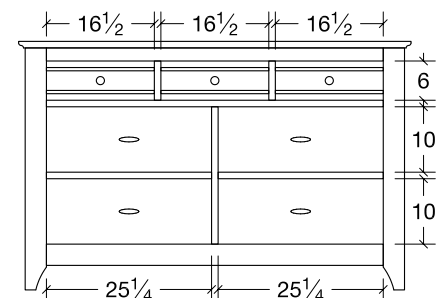
**Storage Rail, Full**  
2 drawer, 2 door  
74 1/2w x 14h



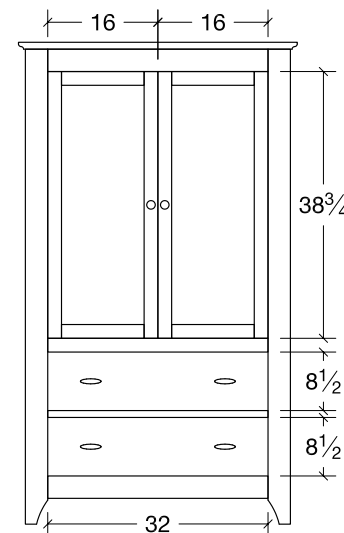
**Mirror (WWMR)**  
42 1/2w x 39h



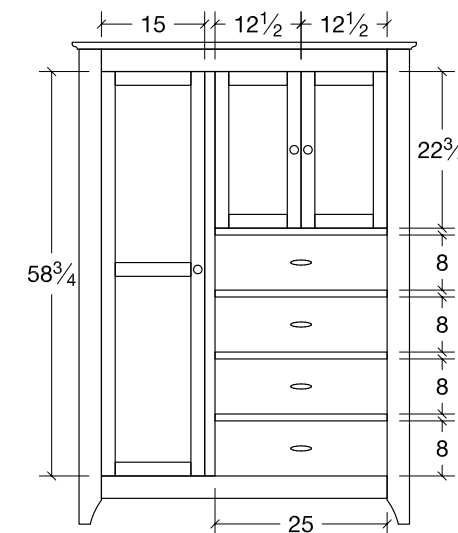
**Mirror (WWMR46)**  
46w x 36h



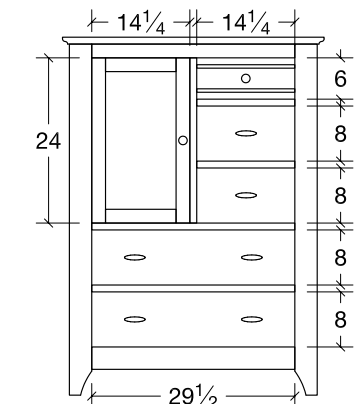
**Dresser (WWDR60)**  
7 drawer  
60w x 19d x 38h



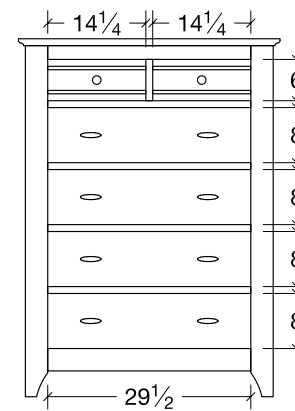
**Armoire (WWAR)**  
2 drawer, 2 door  
40 1/2w x 22d x 70h



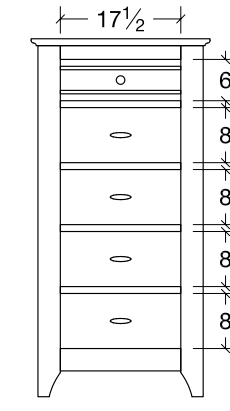
**Chifferobe (WWCB)**  
4 drawer, 3 door  
50w x 22d x 70h



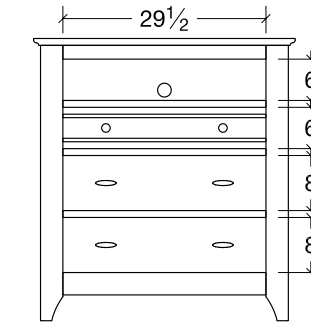
**Door Chest (WWDRC)**  
5 drawer, 1 door  
38w x 19d x 52h



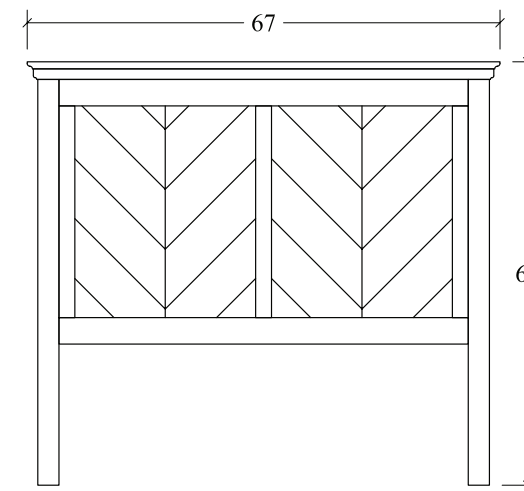
**Chest (WWCD)**  
6 drawer  
38w x 19d x 52h



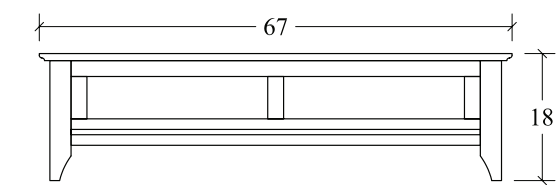
**Lingerie Chest (WWLC)**  
5 drawer  
26w x 16 1/2d x 52h



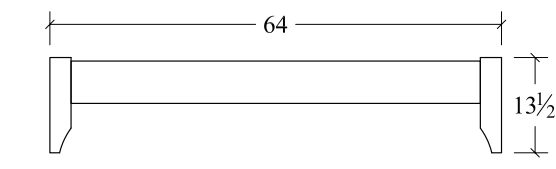
**Media Chest (WWMC)**  
3 drawer  
38w x 19d x 41h



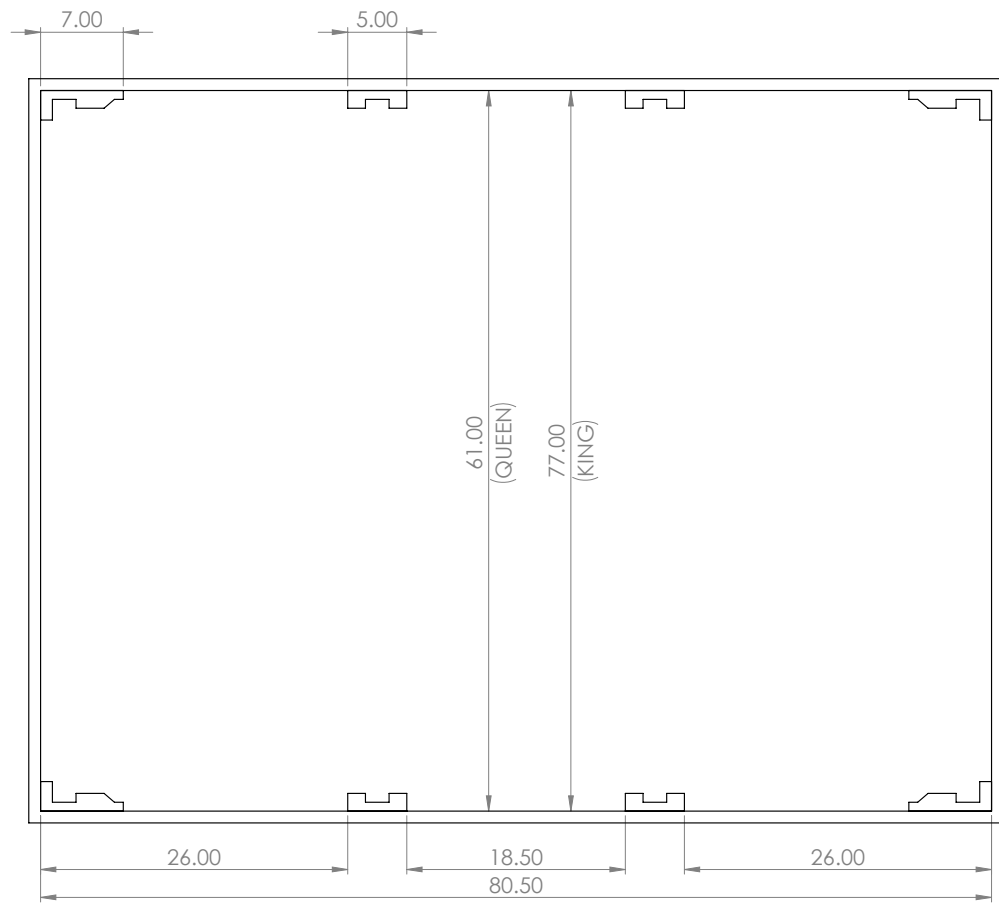
**Queen Headboard (WWQB)**  
67w x 60h



**Queen Footboard (WWQB)**  
67w x 18h



**Queen Low Footboard (WWQB)**  
64w x 13 1/2h



Beds can accommodate adjustable bed frames. See drawing to confirm dimensions.





# FEATURES, OPTIONS, & CARE

Customized beauty and the proper care of your furniture will enhance its place in your home and assure that it can endure the test of time. Your furniture can be handed from generation to generation to become a

**TIME-HONORED  
FAMILY  
HEIRLOOM.**

# DINING FEATURES & OPTIONS

## TRESTLE TABLE SELF-STORING FEATURES

**42" x 60"**  
With Skirt: 0  
Without Skirt: 4

**42" x 66"**  
With Skirt: 0  
Without Skirt: 4



**48" x 60"**  
With Skirt: 2  
Without Skirt: 2

**48" x 66"**  
With Skirt: 2  
Without Skirt: 2

**42" x 72"**  
With Skirt: 2  
Without Skirt: 2

**48" x 72"**  
With Skirt: 0  
Without Skirt: 4

## TABLE TOP STANDARD FEATURES



12" Table leaves can be stored inside the table to save valuable time and space.



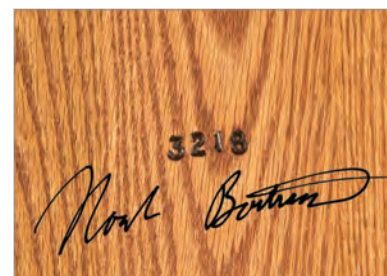
Dining table legs are connected by a reinforced V-grooved corner block with 2 bolts.



1" solid wood table tops are fitted with steam-bent skirts.



Mortise and tenon construction adds strength to each piece.

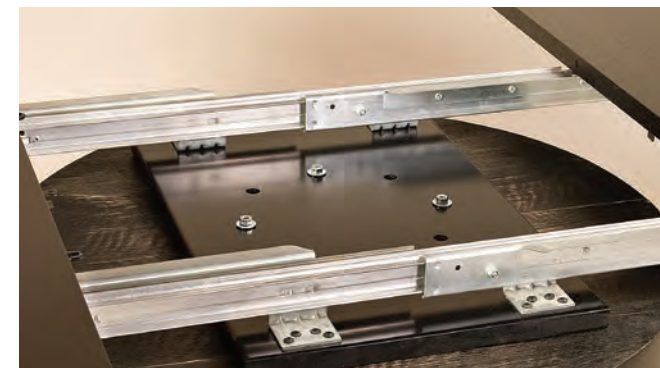


Each dining table is number-branded and signed by the craftsman who created your individual piece.



Each dining table's unique leaves receive that table's serial number and numerical label for installation.

## PREMIUM SLIDE SYSTEM UPGRADE



These slides are second to none and well worth the upgrade! Slides will not warp or bind over time and will work as good in 40 years as the day they were installed. \*BBS slides are not available on round tables with butterfly style leaves.

## BUTTERFLY LEAF DETAILS



Butterfly leaf round tables cannot be built using aprons on leaves or have BBS slides. Round tops with butterfly leaves are also not available any smaller than 42" in diameter. Butterfly leaf tables are not available in custom sizes.

## SELF STORING SPECIFICATIONS

All tables will be built to self-store and leaf skirt will be added accordingly. If tables cannot self-store (all round or square tables), skirt will be added to leaves as a standard feature. Leaf skirt can be requested for all leaves but must be specified at time of order placement and may void self-storing, see the following rules:

- Self-store is not available on round or square table tops unless using 1" butterfly leaves.
- 1 3/8" thick tops can only self-store 1 leaf without skirt.
- Trestle tables and double pedestal tables with 1" thick top can store as follows: 36" wide will store 2-12" leaves without skirt, 16" leaves cannot self-store with 36" wide table; 42" wide will store 4-12" leaves, 2 with skirt and 2 without or 2-16" leaves, 1 with apron and 1 without; 48" wide will store 4-12" leaves, all without skirt or 2-16" leaves without skirt; Any double pedestal or trestle table that is less than 72" long will only store 2 without skirt. Boat or Oval tops can only self-store 2 leaves, 1 with skirt and 1 without.
- Leg tables with 1" thick top can store as follows: 36" wide will store 2-12" leaves without skirt, 16" leaves cannot self-store with 36" wide table; 42" wide will store 4-12" leaves, 2 with skirt and 2 without or 2-16" leaves, 1 with skirt and 1 without; 48" wide will store 4-12" leaves, 2 with skirt and 2 without or 2-16" leaves, 1 with skirt and 1 without; Boat or Oval tops can only self-store 2 leaves, 1 with skirt and 1 without; 42"x60" and 42"x66" leg tables with BBS slides can only self-store 2-12" leaves, 1 with skirt and 1 without or 2-16" leaves 1 with skirt and 1 without.

## INLAY OPTION



Hayworth Inlay can be added to any top. Option includes 1 inlay at each end of table (2 inlays).

## CENTER LEG GUIDELINES

- **36" & 42" Wide Rules:** When adding 32" - 84" in leaves, table receives 1 center leg. When adding 84" - 120" in leaves, table receives 2 doubles (4 legs). When adding 120"+, table receives 1 double and 2 singles (4 legs).
- **48" Wide Rules:** 32" - 48" in leaves, table receives 1 center leg. When adding 48" - 84" in leaves, table receives 1 double (2 legs). When adding 84" - 120" in leaves, table receives 2 doubles (4 legs). When adding 120"+, table receives 1 double and 2 singles (4 legs).
- **Solid Top Rules:** 84" and longer receive 1 center leg.

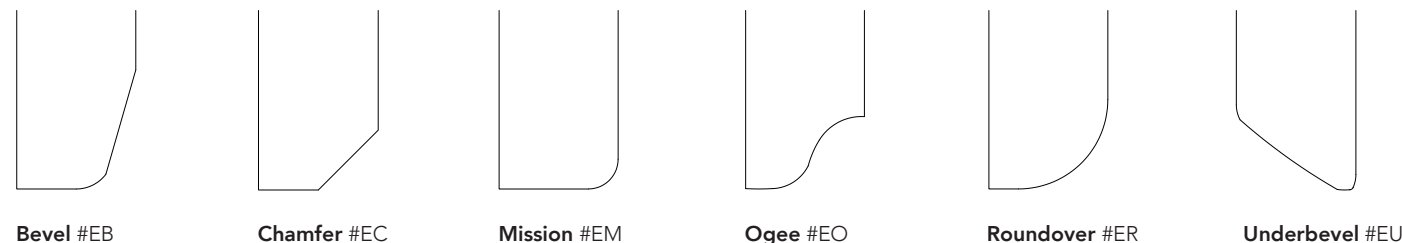


Leaf and table locks can be added to tables and leaves in order to hold table together however tables will no longer be able to self-store leaves.

# DINING FEATURES & OPTIONS

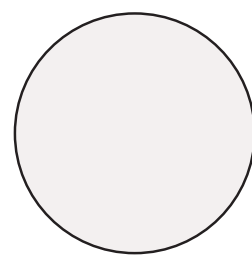
# TABLE BASE OPTIONS

## EDGE PROFILES



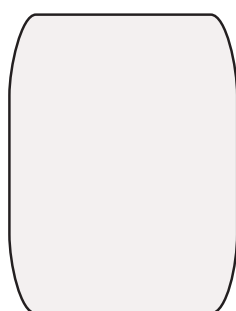
## TABLE TOP SHAPES

Dining table tops are available in the sizes listed below. See bases for amount of leaves each size will accommodate.



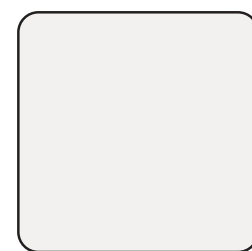
### Round #TR

36" x 36"  
42" x 42"  
48" x 48"  
54" x 54"  
60" x 60"  
72" x 72"



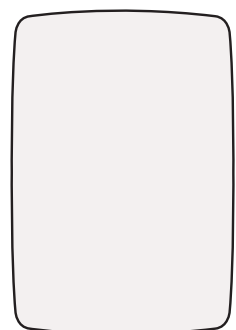
### Boat Shape #TBS

36" x 36"	42" x 66"	48" x 72"
36" x 48"	42" x 72"	48" x 84"
36" x 54"	42" x 84"	48" x 96"
36" x 60"	42" x 96"	54" x 54"
42" x 42"	48" x 48"	60" x 60"
42" x 54"	48" x 60"	72" x 72"
42" x 60"	48" x 66"	



### Square-Round #TSR

36" x 36"	42" x 66"	48" x 72"
36" x 48"	42" x 72"	48" x 84"
36" x 54"	42" x 84"	48" x 96"
36" x 60"	42" x 96"	54" x 54"
42" x 42"	48" x 48"	60" x 60"
42" x 54"	48" x 60"	72" x 72"
42" x 60"	48" x 66"	



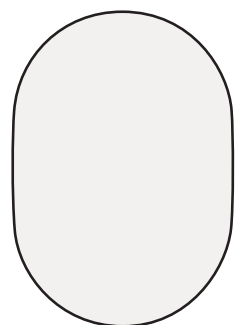
### Banquet #TBT

36" x 36"	42" x 66"	48" x 72"
36" x 48"	42" x 72"	48" x 84"
36" x 54"	42" x 84"	48" x 96"
36" x 60"	42" x 96"	54" x 54"
42" x 42"	48" x 48"	60" x 60"
42" x 54"	48" x 60"	72" x 72"
42" x 60"	48" x 66"	



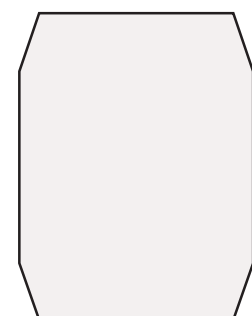
### Mission #TM

36" x 36"	42" x 66"	48" x 72"
36" x 48"	42" x 72"	48" x 84"
36" x 54"	42" x 84"	48" x 96"
36" x 60"	42" x 96"	54" x 54"
42" x 42"	48" x 48"	60" x 60"
42" x 54"	48" x 60"	72" x 72"
42" x 60"	48" x 66"	



### Oval #TO

36" x 48"	42" x 84"
36" x 54"	42" x 96"
36" x 60"	48" x 60"
42" x 54"	48" x 66"
42" x 60"	48" x 72"
42" x 66"	48" x 84"
42" x 72"	48" x 96"



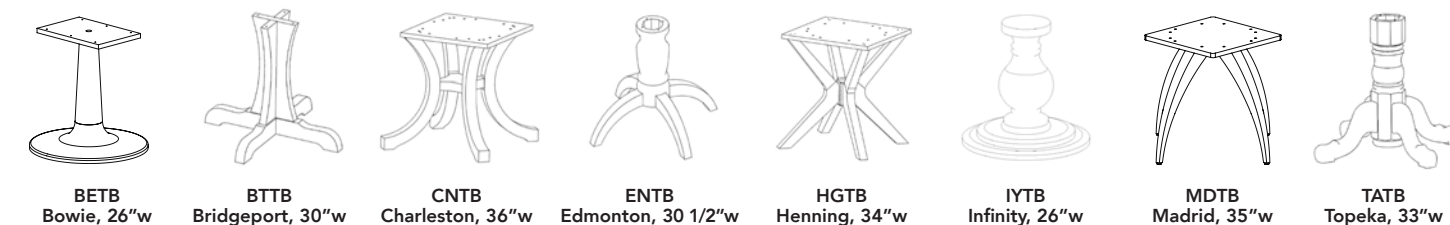
### Tapered #TT

36" x 36"	42" x 66"	48" x 72"
36" x 48"	42" x 72"	48" x 84"
36" x 54"	42" x 84"	48" x 96"
36" x 60"	42" x 96"	54" x 54"
42" x 42"	48" x 48"	60" x 60"
42" x 54"	48" x 60"	72" x 72"
42" x 60"	48" x 66"	

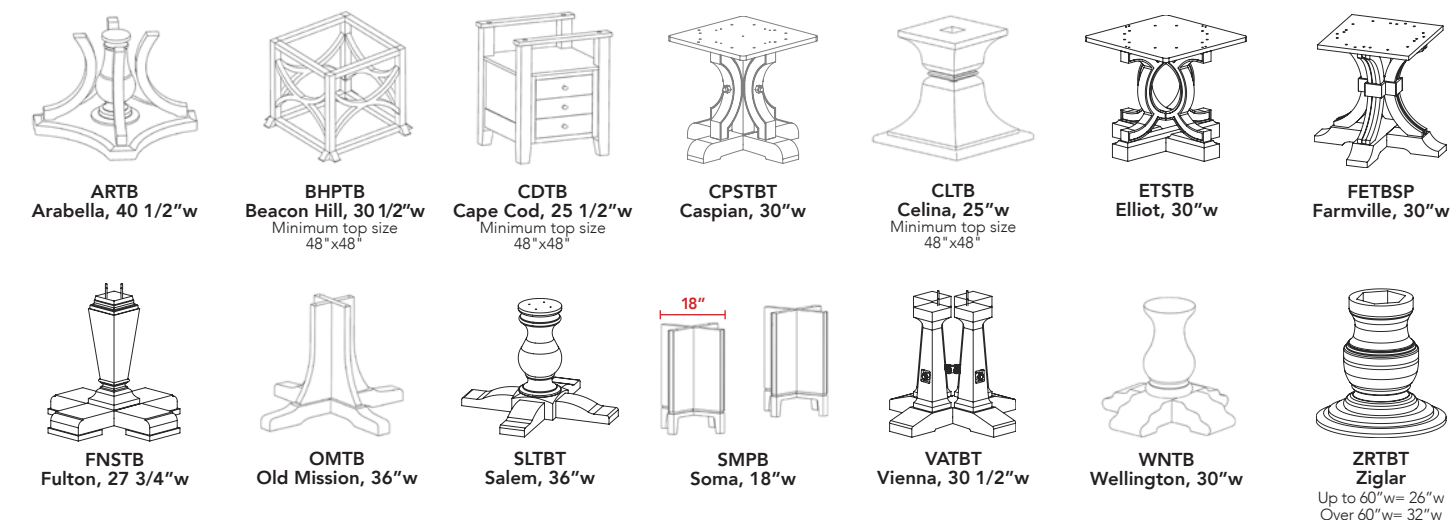
**LEGS** Maximum extended size with leaves installed for leg bases is 216" in length. Any leg table over 2 leaves will have a center leg added for support. Round or oval tops will be built with square skirt.



**SINGLE PEDESTALS** Maximum extended size with leaves installed for these bases is 66" in length.



Maximum extended size with leaves installed for these bases is 72" in length.



Maximum extended size with leaves installed for these bases is 192" in length.

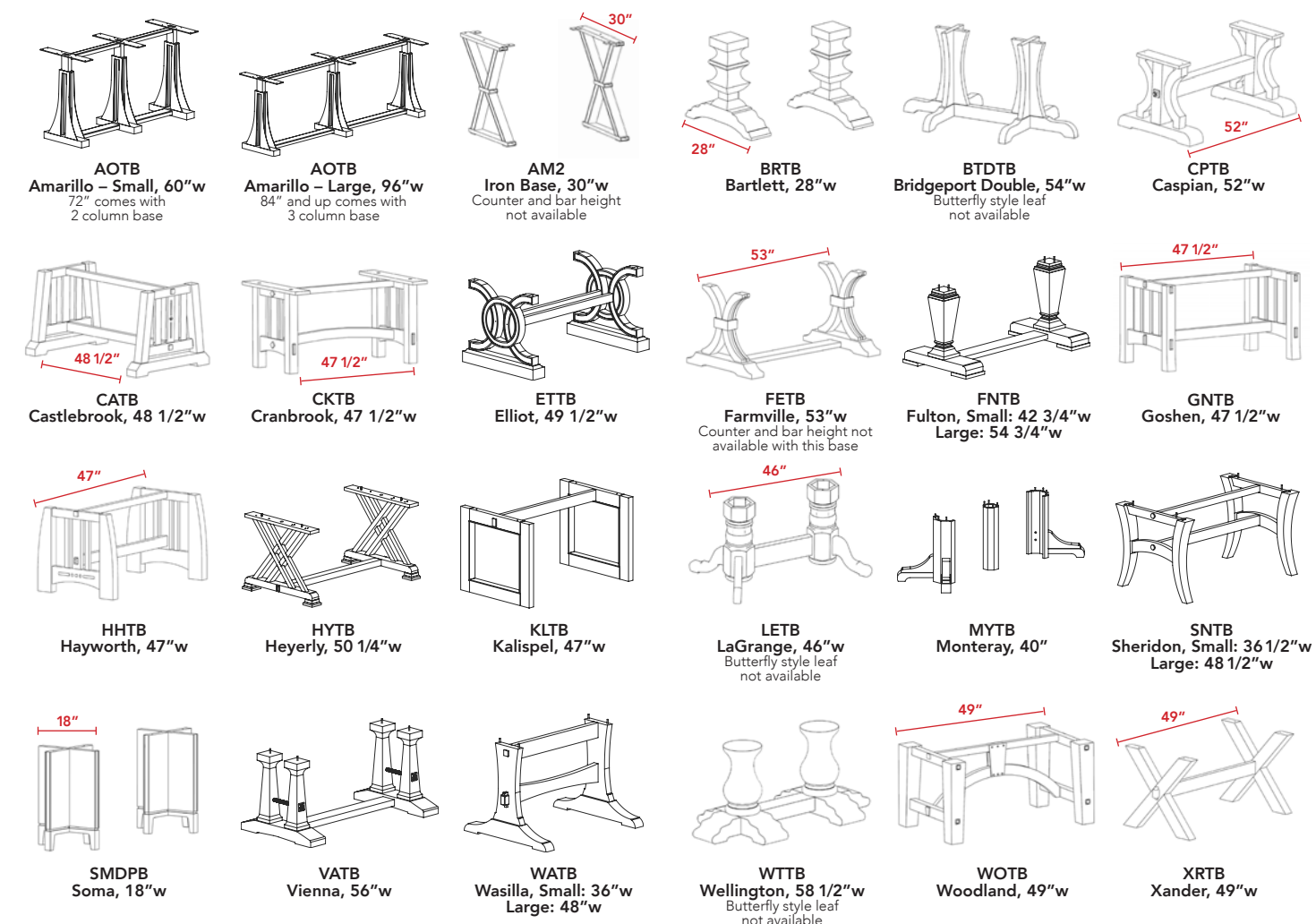
## BASE OPTIONS

Bases are available in 36" Counter height or 42" Bar height as listed. Maximum extended size with leaves installed for these heights is 66" in length.

Double pedestal trestle table bases with a starting top size smaller than 72" will receive a 32" stretcher in order to accommodate chair placement at the ends of the table.

# TABLE BASE OPTIONS

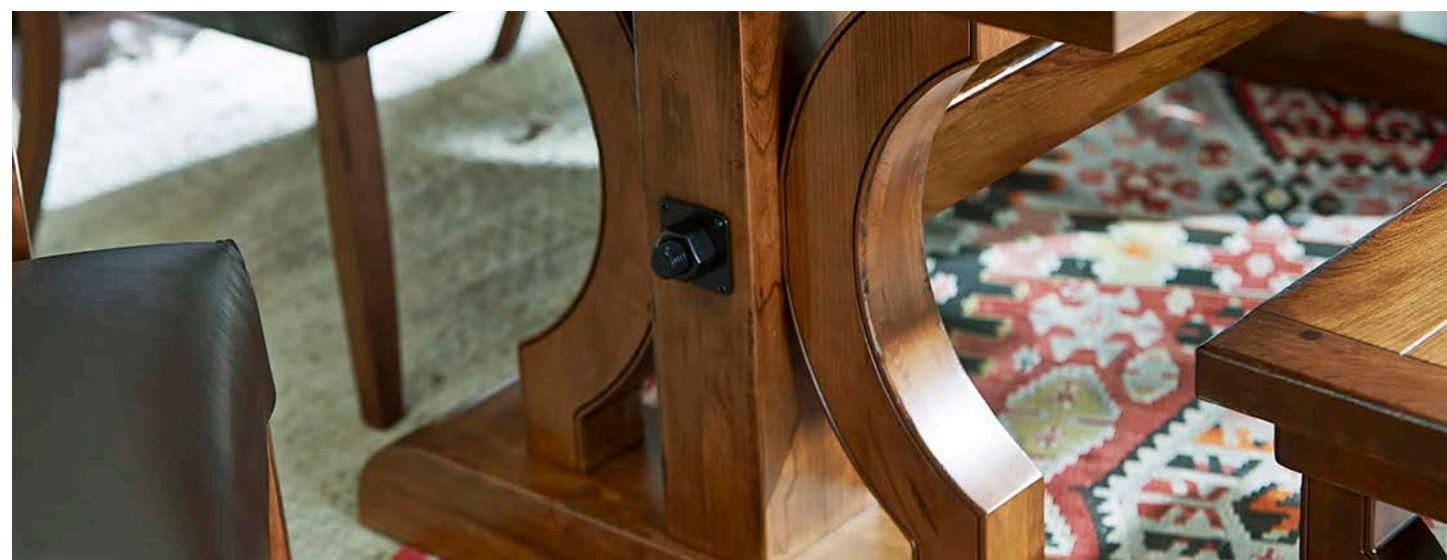
**DOUBLE PEDESTALS** Maximum extended size with leaves installed for this base is 120" in length.



## BASE OPTIONS

Bases are available in 36" Counter height or 42" Bar height as listed. Maximum extended size with leaves installed for these heights is 66" in length.

Double pedestal trestle table bases with a starting top size smaller than 72" will receive a 32" stretcher in order to accommodate chair placement at the ends of the table.

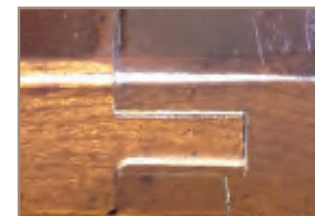


# CHARACTERISTICS OF SPECIAL TABLE TOPS

## Plank Top

A plank-style top is created by randomly joining boards with bread-boarded ends and in varying widths from 2 to 13 inches. Depth of offset from board to board as much as 3/8" as well as the number of visible saw cuts will also vary from top to top. Due to the individual uniqueness of each plank top, widths, depth of offsets and saw mark patterns or locations cannot be specified when ordering.

Humidity will affect these types of tops more than a standard top with no breadboards. The breadboards and the boards on the table are moving opposite ways since the grain direction is not the same. This causes shifting of up to 3/4", gapping and the tongue and groove area to sometimes be exposed. Correcting the humidity level in the room will help minimize shifting and gapping, but none of the inconsistencies found in plank-style tops or any top with bread-boarded ends are considered defects. They should, instead, be embraced as unique characteristics of each piece of furniture handcrafted in this manner.



Showing an **exposed groove** in breadboard



Showing an **exposed board** at breadboard joint



Example of edge with greater angle



Example of edge with little angle

## Live-Edge Glue-Up Top

Live-edge glue-up tops are 1 3/8" thick with live edge pieces on each side and random staves glued in between to achieve the required width. Width is still approximate because of the variation of shapes of the edges. Width can vary by as much as 14" due to the random shapes of the trees from which these pieces are cut. The angle of the edge is determined by where within the log the board extracted. A table edge without an angle would have been cut from the center of the log. If it has a sharper angle, it means the board was taken close to the outside of the log. One advantage that a glue-up top has compared to a bookmatch live edge slab is that glue-ups tend to be more stable resulting in less cracking and movement as well as lesser cost because of the thickness.

Example of shape without a lot of variation



# SEATING FEATURES & OPTIONS

## CHAIRS

### CHAIR FEATURES

- Constructed with solid hardwoods
- Glued mortise and tenon joints
- Accurately leveled for stability
- Fabric and leather seats are hand selected for consistency

### CHAIR OPTIONS

- Distressed finish (#2D)
- Two-tone finish (#2TN)
- Fabric and leather seats available
- Bar stools are available in 24" or 30" high
- Caswell gas desk chair base (#CGL)



Joined using both **screws and glue**



**Corner block** strengthens corners



**Caswell Gas Lift Base #CGL**  
 - When ordering, add desk chair base style # to end of arm chair # for correct item code  
 - Only available on arm chairs



Solid wood chair backs and table aprons are steam bent during a process that takes days to complete. Once bent, these solid wood parts will last for many lifetimes.



Protective Stretcher Cover (#PC)

- Protective cover available in Black and Brushed Stainless. Covers are available on bar chairs only.



# FABRICS & LEATHERS

## FABRICS

### One Less Thing to Worry About!

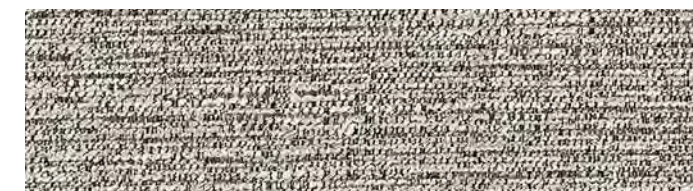
Performance Fabrics are engineered for easy maintenance, comfort, and durability. Performance Fabrics are soft, durable, and stain-resistant. These fabrics are available in a wide array of textures and vibrant colors. Breakthrough protection is woven into every fiber so it won't ever wear away.

### Easy Clean:

Performance Fabrics are easy to clean, but are not self-cleaning. Most liquid spills will simply blot off the surface with a dry towel. And for more difficult stains, just follow these simple spot-cleaning instructions:

- Wipe away excess mess using a clean, dry towel
- Mix a simple soap and water solution\*
- Apply and agitate with a soft-bristle brush
- Blot with a clean towel
- Rinse thoroughly, repeat if necessary

\*We recommend mixing 1 tsp. enzyme laundry detergent, like Tide® or Cheer®, with 2 cups warm water. And remember, soap attracts dirt, so rinse thoroughly.



## LEATHERS

### Descriptions:

- Premium top-grain glove-soft leather, offers exceptionally soft, silky, hand.
- Soft silk hand enhanced with the application of a wax touch agent.
- A slightly contrasting crust color is randomly top-sprayed with a translucent solution of highly dispersed micro-pigments to give this leather gentle clouding or smoke effect.
- The natural glow and depth created enhances the sophisticated appearance of this leather.

### Thickness:

- 0.9 - 1.0 mm thick

### Natural Visibility:

- Some natural marking visible

### Finish:

- Top-grain, aniline drum-dyed, micro-pigmented topcoat.
- Moderate protection from application of micro-pigmented topcoat.
- The beauty of aniline drum-dyed leather is the lack of uniformity. The dye does not color all sections of the hide uniformly due to the tissue (or cell) structure.
- The neck may be a bit lighter or darker than the butt; the rib and fat wrinkles may be outlined in a slightly darker cast.

### Care & Cleaning:

Vacuum or dust with a soft brush regularly.

For Spots and Spills:

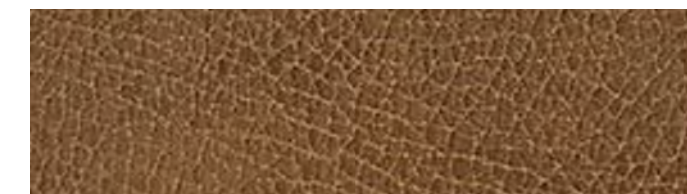
- Gently blot excess liquid with a clean absorbent cloth
- Let air dry naturally

For Butter, Oil, or Grease:

- Absorb excess with a clean, dry cloth
- Leave alone
- Spots should dissipate over a moderate time

Do not apply any shoe polish, ammonia water, oils, or any other chemical solutions.

**Recommended:** Car and Cleaning kits such as those provided by Leather Master. The natural oils are sealed in for permanent and carefree beauty.



**Any fabrics or leathers not in the current book will be treated as COM and must be sent to Fusion.**

# MEDIA FEATURES & OPTIONS



Optional drawer instead of sound bar opening (#OD)



Optional flip-down glass or wood drawer front for sound bar opening (#OGD)



Removable backs provide easy access for installation of new components



Vented shelves and floors protect your media



Easy gaming and accessory storage

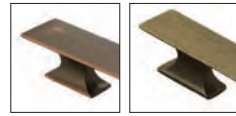
Solid wood is used throughout our construction process including case goods and beds however there are times when the design or construction of the item requires us to use some MDF core plywood in order to prevent shrinking or expanding that could be detrimental to the integrity of the piece. There are many different types of plywood cores including veneer core, MDF core and Partical board however all of these are considered plywood which means a veneered piece of wood over a substrate. The reason MDF core is used in a lot of the furniture industry including kitchen cabinets is that it is considered the premier "plywood" to use due to it having a more consistent flat surface. Veneer core can have a "rippling" effect because it is softer in some spots than others making a smooth surface difficult to achieve. Also veneer core plywood will still have a tiny bit of movement where MDF core will not.

# HARDWARE

Pictures are not accurate assessment of size. See measurements for actual size.



A-1 Satin Nickel 5 1/2"

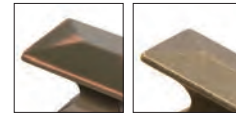


A-2  
Oil Rubbed  
Bronze

A-3  
Windover  
Antique



B-2 Satin Nickel 1 3/4"



B-3  
Oil Rubbed  
Bronze

B-4  
Windover  
Antique



O-15 Satin Nickel 2"



O-16  
Black Bronze



P-16 Bright Nickel  
Brushed Dull 3 3/4"



Q-17 Bright Nickel  
Brushed Dull 1 1/4"



BH-1  
Beacon Hill Handle  
Black Iron, 12" Wide



BH-2  
Beacon Hill Knob  
Black Iron, 1 1/2"



C-3 Antique English 3 3/4"



C-4  
Black Iron



D-4 Antique English 1 1/4"



D-5  
Black Iron



R-18 Satin Nickel 4 1/2"  
R-2 Satin Nickel 6"



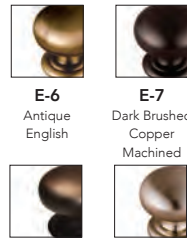
S-19 Antique English 3 1/2" x 1 1/2"



SO-1 Soma Knob  
Antique Brass, 3 1/4"



E-5 Oil Rubbed Bronze 1 1/4"



E-6  
Antique  
English

E-7  
Dark Brushed  
Copper  
Machined

E-8  
Dark Brushed  
Antique  
Copper

E-9  
Satin Nickel



Satin Nickel  
F-6 5 1/2" wide  
F-7 15" wide



G-7 Satin Nickel 1 1/2"



Y-2 Oil Rubbed Bronze Dull 4"



U-1 Oil Rubbed Bronze 1 1/4"



U-3  
Satin Nickel



U-2 Oil Rubbed Bronze 3 3/4"



H-8 Black 3 3/4" x 2"



H-9  
Antique English



I-9 Available in  
Black or Finished 1 1/4"



J-10 Black Iron 1 1/4"



W-1 Black 1 1/4" x 4 1/2"



W-3  
Oil Rubbed Bronze



W-4  
Antique Copper



W-6  
Oil Rubbed Bronze



W-7  
Antique Copper



W-2 Black 1 1/4" x 4 1/2"



X-1  
Oil Rubbed Bronze  
Highlighted



X-2 Satin Nickel, 5 1/2"



K-11 Satin Nickel 3 3/4"



K-12  
Veneti Bronze



M-13 Black 1" x 3 3/4"



M-14  
Antique English



N-14 Available in Black  
or Finished 1 1/2"



Y-1 Oil Rubbed Bronze Dull



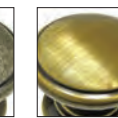
Z-4 Satin Nickel, 1 1/4"



Z-3  
Brushed Oil  
Rubbed Bronze



Z-5  
Pewter



Z-6  
Antique English

# BEDROOM FEATURES & OPTIONS



Optional **footrail** instead of footboard is available on most beds.



Optional **underbed storage drawers**. Multiple storage rail configurations are available. See line drawings for details.



**Dovetail joinery** is a time-honored technique that connects each board with interlocking pins and tails.



Optional **LED night light** with touch switch (#LEDN)



Optional **sliding top nightstand** with secret compartment, lock and 3-plug power strip (#STP)



Optional **peg** for hanging clothes (#POR)



**Cast metal brackets** firmly hold bed slats in place providing solid support for every mattress size.



Most drawers are available with **cedar lining**.



Dressers and chests can be customized with **drawer dividers** and optional **felt-lined jewelry tray**.



Fusion Designs uses **floating panel construction**. Rubber space balls are inserted into the frame so the wood panels can expand and contract without causing damage. **Soft-close undermount drawer glides** assure quiet operation of solid wood drawers.



Optional **secret compartment** in footboard posts (Havenridge only).



Optional **flex light** in headboard post (Havenridge only)



2 plug, 2 USB **power port** available in all nightstand top drawers (#DKD). Removable tray keeps drawer organized and can be used as a portable work surface.

Solid wood is used throughout our construction process including case goods and beds however there are times when the design or construction of the item requires us to use some MDF core plywood in order to prevent shrinking or expanding that could be detrimental to the integrity of the piece. There are many different types of plywood cores including veneer core, MDF core and Particle board however all of these are considered plywood which means a veneered piece of wood over a substrate. The reason MDF core is used in a lot of the furniture industry including kitchen cabinets is that it is considered the premier "plywood" to use due to it having a more consistent flat surface. Veneer core can have a "rippling" effect because it is softer in some spots than others making a smooth surface difficult to achieve. Also veneer core plywood will still have a tiny bit of movement where MDF core will not.

# CARING FOR YOUR FUSION DESIGNS FURNITURE

Your new furniture is a reflection of your good taste. It combines nature's best materials with our Amish craftsmanship. To assure that your investment becomes a treasured heirloom to withstand the test of time, take the same care in maintaining the beauty of your furniture as you took in selecting it.

*"Beautiful"*

## PLACEMENT

Carefully consider where your new furniture is located in your home. Avoid setting it directly in front of radiators, heating vents, or wood-burning stoves as dry air can cause wood to dry out and crack.

## HUMIDITY

The ideal indoor humidity range for solid wood furniture is 35-45%. An uncontrolled environment causes expansion and contraction which leads to splitting of the grain pattern or joints and gapping where leaves fit into the table. These conditions should be appreciated as inherent characteristics of solid wood and should not be assumed to be a defect in materials or workmanship.

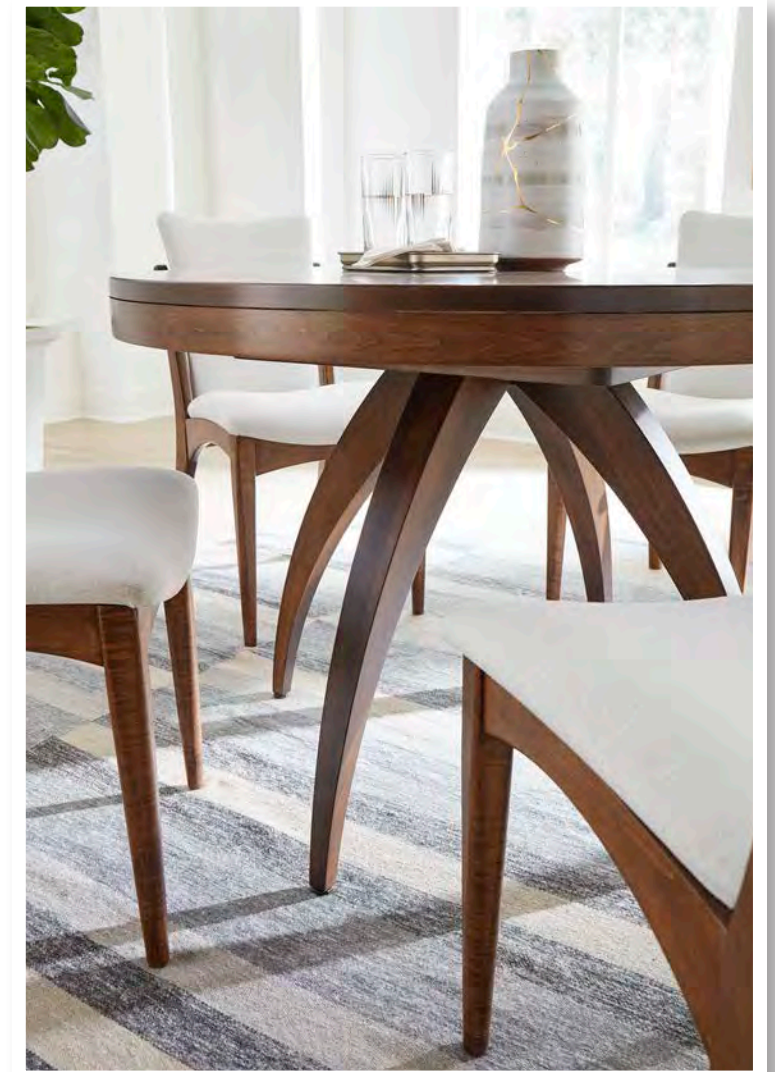
## PROTECTION & CLEAN UP

Simply dust furniture often with a soft cloth taking care to follow the grain pattern. Periodically clean with a mild, non-alkaline soap and water using a soft cloth or sponge. Dry immediately with a soft cloth and lightly buff wood grain. Avoid nail polish remover, alcohol, or other solvents. A high-quality furniture polish may be used occasionally, but do not use polishes that contain silicones. Your retailer can recommend a polish or wax.

## LEAF STORAGE

Store extra table leaves in or close to table to maintain consistent environmental conditions (not in a damp basement or dry attic).

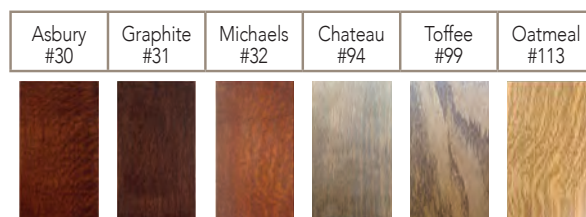
By following these simple tips, you'll get many years of enjoyment from your new furniture and when you are ready to pass it on, the new owner's first word is sure to be, "Beautiful!"



You will need to register with us as the original owner of Fusion Designs furniture. Should the properly maintained furniture fail at any time during the ownership and lifetime of the original owner because of workmanship or materials defect, we will either repair or replace it upon our discretion. This warranty does not apply to damage due to normal use, misuse, neglect or abuse, exposure to extreme heat, cold or humidity or to damage done in transit. Customer is responsible for freight costs to and from the factory. Fusion Designs is not responsible for gapping or seasonal cracking on items after two years of age. One year warranty on all electronics.

# WOOD SAMPLES & FINISHES

## #01 Quartersawn White Oak



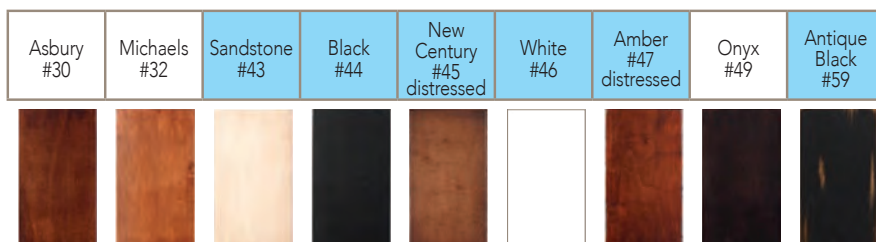
This cut differs from traditional cutting of oak as it is made parallel to the wood's age rings instead of across. This cut yields a board with amazing strength, much less likely to crack, check or warp than when it is flat sawn. White Oak produces a distinctive "stripping" which gives pieces a more antique look.

## #02 Oak



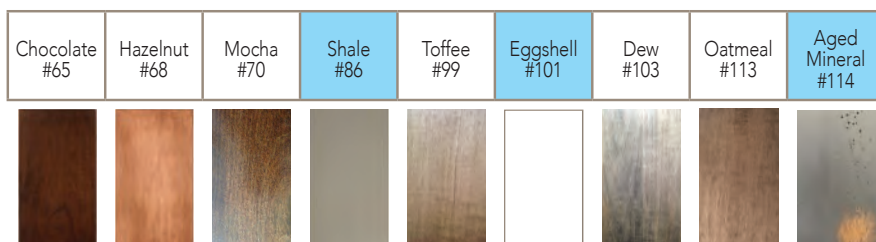
Oak is a heavy, strong, light colored hardwood. Prominent rings and large pores give oak a coarse texture and prominent grain.

## #03 Brown Maple

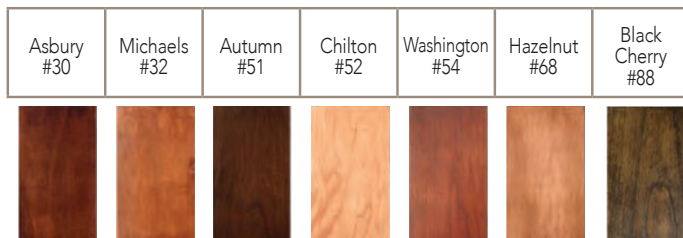


This wood is cut from the center of various soft maple trees and not a specific species of tree. As it's from the center of the tree, it tends to run a range of colors from light to beige to medium brown. It's a smooth wood often finished with paint or darker finishes.

Indicates 10% upcharge



## #04 Cherry



A moderately hard, strong, closed grain, light to red-brown wood, cherry tends to resist warping and checking. Cherry is often used in fine furniture and cabinetry and looks great on colors ranging from light to dark. Cherry wood is also known to have small mineral deposits or character marks, these are not considered a defect.

## #05 Rustic Cherry



Rustic Cherry has the same properties as cherry wood. The rustic refers to the character marks that are noticeable in this cut of wood which can include worm holes, pits, knots, open grain and multiple marks. Knot holes will be filled on tops and chair seats only.

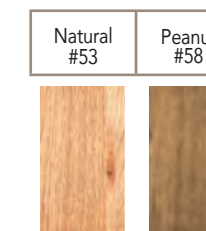
## #07 Elm



Due to limited availability, Elm is only available on tops of tables and case goods and on seats of chairs or benches. Elm is not available on an entire piece of furniture.

In spite of being hard and tough, elm bends easily when steamed and holds its shape well when dried. Elm has a twisted interlocking grain that makes it difficult to work with. Although it doesn't split, pilot holes must be drilled into it before screws or nails are inserted.

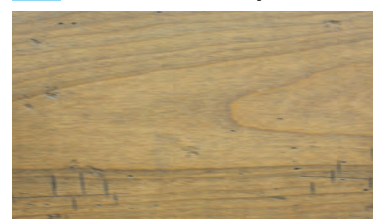
## #06 Rustic Hickory



Hickory is one of the heaviest and hardest woods available. It has a close grain without much figure. Hickory wood is often finished in lighter or natural. The rustic refers to the character marks that are noticeable in this cut of wood which can include worm holes, pits, knots, open grain and multiple marks. Knot holes will be filled on tops and chair seats only.

## FINISHING OPTIONS

### Distressed Option



Distressing can be added to create a worn or aged look to your furniture. Our distressing process is carefully created using hand tools such as handplanes, hammers and nails giving your furniture natural looking worm holes, dents, cracks and natural worn edges.

### Two Tone



Customize your color combination by going with a two tone finish. Chair seats, table tops and case good tops can be a different color than the rest of the item, making this piece unique!

### Painted Color Option

Fusion Designs also has painted colors available to help accent that special piece. Although paints are durable, it is not recommended for use on table tops.

### Matte Finish Option

Fusion Designs also offers a matte option that creates a dull, flat finish. This means it will reflect very little light and will lack highlights and gloss.

## FINISHING STANDARDS

Fusion Designs' modern finishing plant offers a wide variety of finishes including paint alternatives. Conversion varnish is applied to all surfaces to provide the best protection and durability. We use stains, sealers and lacquers with low VOC and HAPS to lessen the impact on the environment.

Fusion Designs uses a "secret" ingredient when mixing their varnish that results in the smooth, warm texture of the finished product. Our dealers have noted that if wearing a blindfold, they could pick out a Fusion Designs item from their floor just by the touch!



Although we try to match the colors shown here as close as possible to the actual woods and finishes, a color sample should be ordered to assure accuracy in colors. Finishes depicted here are paired with the wood & color combinations that are shown on samples. However, all woods shown can be paired with any of the listed colors even if not shown. We also recommend ordering a color sample if choosing a finish/wood combo that is not displayed on a sample.



### Superior Stain Resistance

In independent testing with criteria similar to KCMA specifications, the finishes primarily used by Fusion Designs exhibited superior performance in resisting stains.

Chemical	Effect
Water	No Effect
Ethanol (50% in H <sub>2</sub> O)	No Effect
Coffee (black)	No Effect
Vinegar	No Effect
Lemon juice	No Effect
Orange juice	No Effect
Grape juice	No Effect
Ketchup	No Effect
Olive oil	No Effect
Detergent solution	No Effect
Mustard*	No Effect
Soft drink	No Effect
Whiskey	No Effect
Shoe polish	Slight stain
Ethyl alcohol (100%)	Slight softening
Iodine	Stain

\*Mustard test was 1 hour - all others were 24 hours

# DISPLAYS

The dining room design center and the bar chair display are available for qualifying retailers. Please ask your representative for details.



• **Fusion Designs Dining Room Display**

• #1KD

• Approximately: 50" w x 24" d x 80" h

• The kiosk allows the customer to experiment with various wood stain colors, wood species, along with leg and hardware options. The swivel-leg design allows you to line up your leg choice with optional edge profiles.



## Internet Policy

Dear Valued Customer,

It has come to our attention that Fusion Designs tables are being offered for sale on the internet at prices that we consider too low. This has caused a great deal of dissatisfaction among our customers, because of the inability to have a level playing field.

A key component of the success of Fusion Designs has been a quality presentation of our products and a corresponding sales approach that provides the consumer with all of the information necessary to make a truly informed purchase decision. We have always believed that an essential ingredient of our success is the personal interaction between well-trained sales personnel and the retail consumer.

An integral part of ensuring consumer satisfaction is prompt and responsible warranty service. If our tables are sold through the internet to locations remote from that of the actual dealer, the quality of such follow up service usually is inadequate and our image with the consumer could be damaged. It is the dealer's responsibility to take care of such warranty issues.

In light of all the factors stated above, it is our preference that our product is sold in a retail store. However, because of having responsible dealers who sell on the internet at fair prices, we feel we cannot ban internet sales.

Therefore, we will require our dealers who advertise our tables on the internet to have no less than a 100% markup on their finished table cost. This markup does not include freight costs, which need to be advertised as such. A CD is available with the required mark up cost. Failure to comply with this requirement risks termination of dealership.

Here are a few guidelines for advertising our product on the internet: You may not promote "free shipping." Shipping needs to be an added cost, in addition to our required selling price. You should not advertise that you have lower prices because you have no overhead costs. Any reports of an internet company directing customers to a retail store to see furniture, with the intention of buying via the internet because of price, will result in termination of dealership.

We are confident that you will join us in appreciating the long-term benefits of this policy, which is effective immediately.

Sincerely,

Fusion Designs



---

**YOU'LL ADMIRE THE BEAUTY.  
YOU'LL APPRECIATE THE VALUE.  
YOU'LL LOVE THE LOOK!**

Fusion Designs continues to grow and add to the unique diversity of styles we offer in order to satisfy the most discriminating of shoppers. We're all about the details, start to finish. By selecting only the finest woods and quality hardware, our woodcrafters utilize the best-proven construction techniques to create furniture that is as durable as it is beautiful. Each piece is individually crafted, not mass produced. Our desire is to provide you with the highest quality furniture at the best value. Construction features like these set us apart...compare the integrity, compare the details.